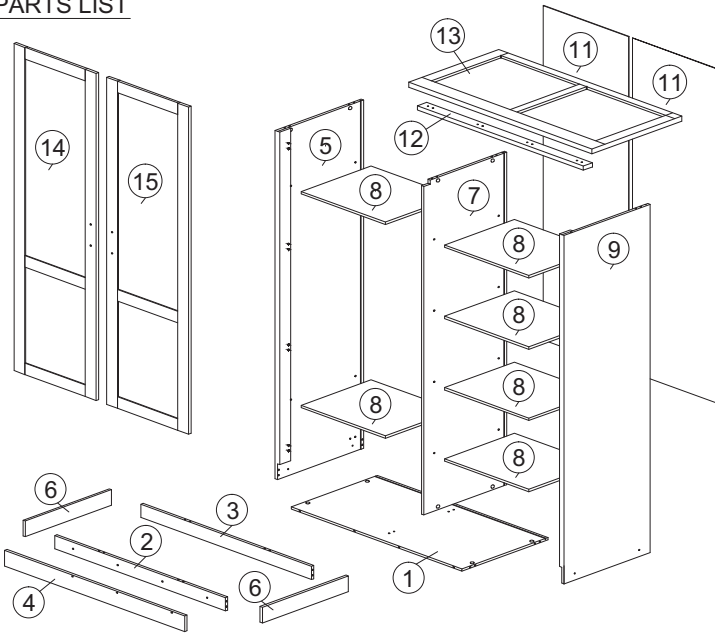


ASSEMBLY INSTRUCTION

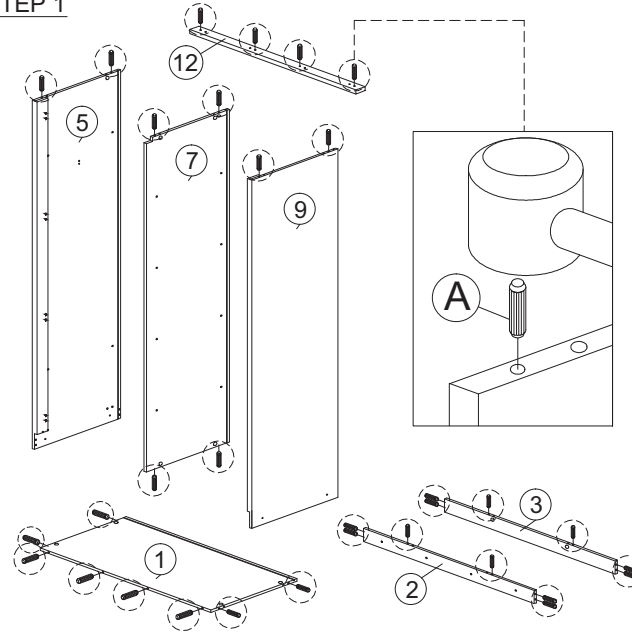
MODEL : WR 80096-S5V - ELLA KLEERKAST / ARMOIRE 2 D/P / 2 DOORS WARDROBE

HARDWARE	A	B	C	D	E	F	G	G1	G2	H	I	J	J1	J2	K	K1	K2	L	M	N	O	P	Q
	PLASTIC DOWEL M8X25 1X32	CB SCREW M3.5X16 1X36	CB SCREW M4X25 1X8	CSK CAP M6X40 1X4	V-BRACKET 1X2	PYRAMID ANGLE CORNER BLOCK 1X8	HANDLE FZ 23187 (128MM) - METAL 1X2	HANDLE FZ 23187 (128MM) - METAL 1X2	HANDLE SCREW M4X24 1X4	HINGES (INSIDE) 1/2" 1X8	PLASTIC PIN 1X6	MINIFIX 5654 16 SETS	MINIFIX 5654 16 SETS	MINIFIX 5654 16 SETS	Q-FIT VB3500 24 SETS	Q-FIT VB3500 24 SETS	Q-FIT VB3500 24 SETS	CAP 1X16	ALLEN KEY 1X1	CHROME PIPE (535MM) 1X1	PLASTIC CORNER BLOCK 1X4	CB SCREW M4X20 1X16	POWER NAIL 1/2" 1X18

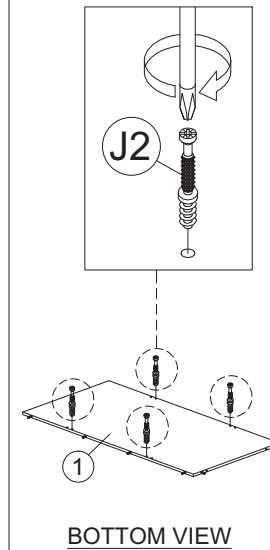
PARTS LIST



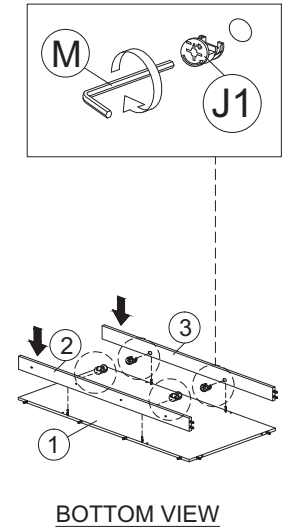
STEP 1



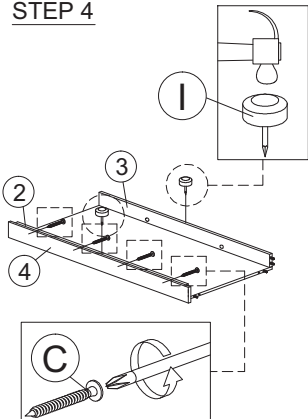
STEP 2



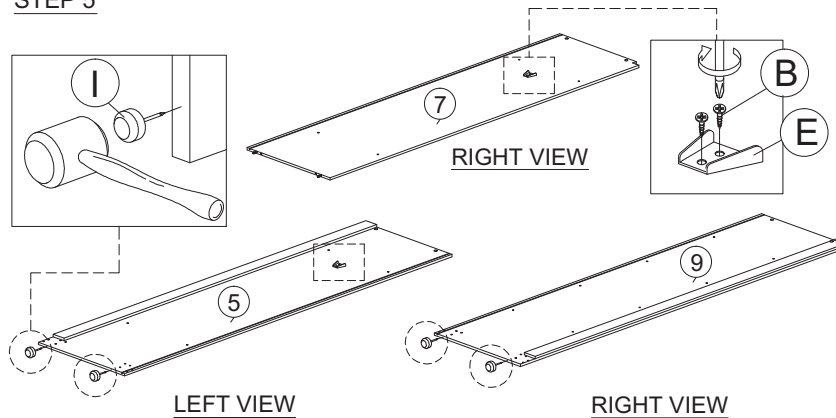
STEP 3



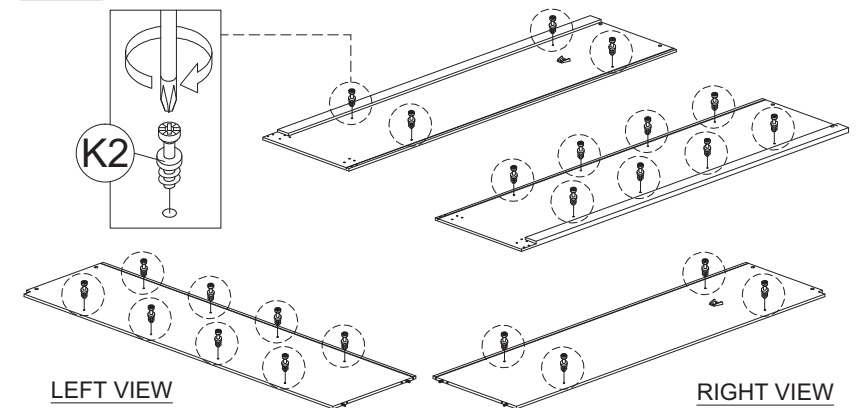
STEP 4



STEP 5



STEP 6

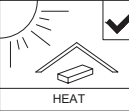




SOFT, DRY CLOTH



CHEMICAL



HEAT



KEEP DRY



HANDLE WITH CARE

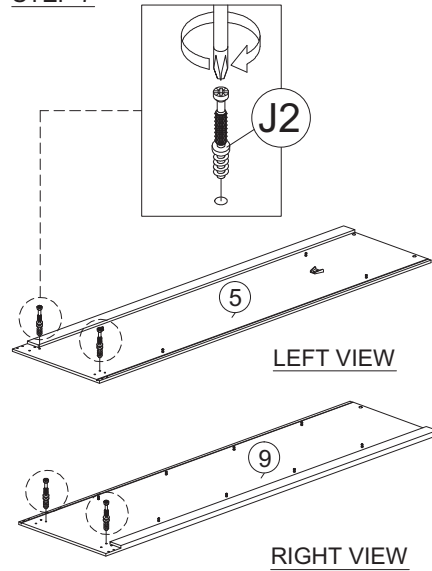


DO NOT USE KNIFE

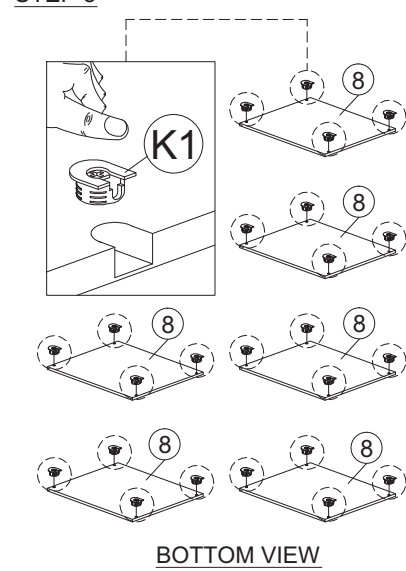
ASSEMBLY INSTRUCTION

MODEL : WR 80096-S5V - ELLA KLEERKAST / ARMOIRE 2 D/P / 2 DOORS WARDROBE

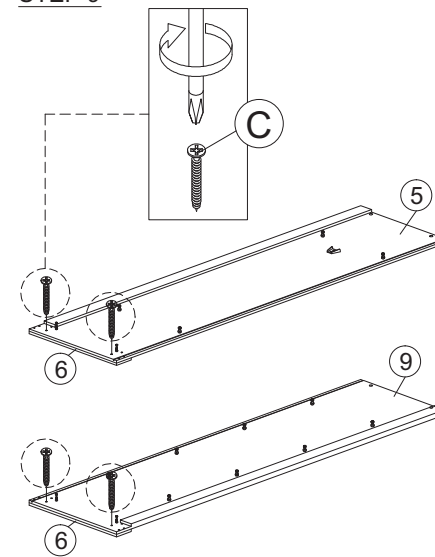
STEP 7



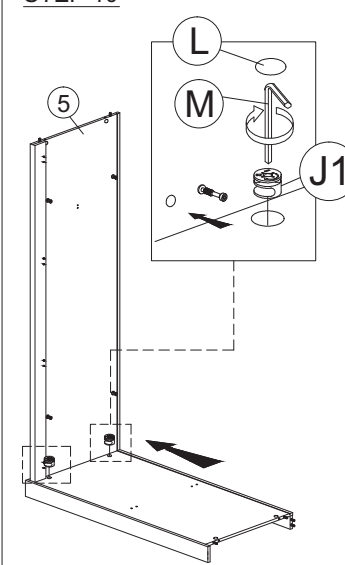
STEP 8



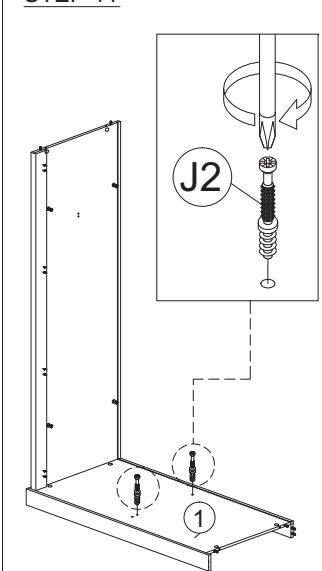
STEP 9



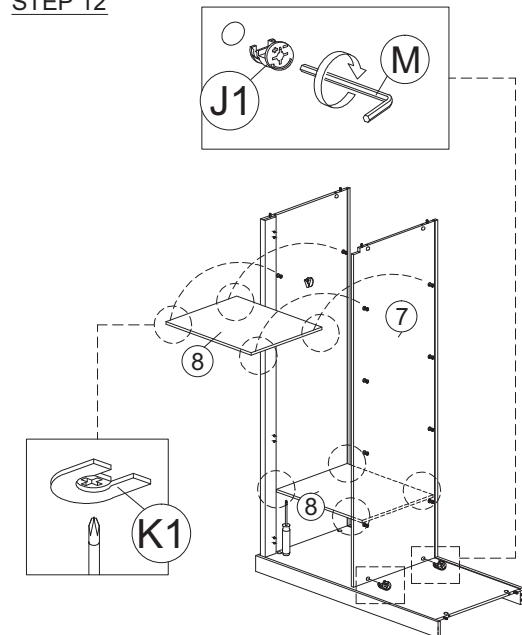
STEP 10



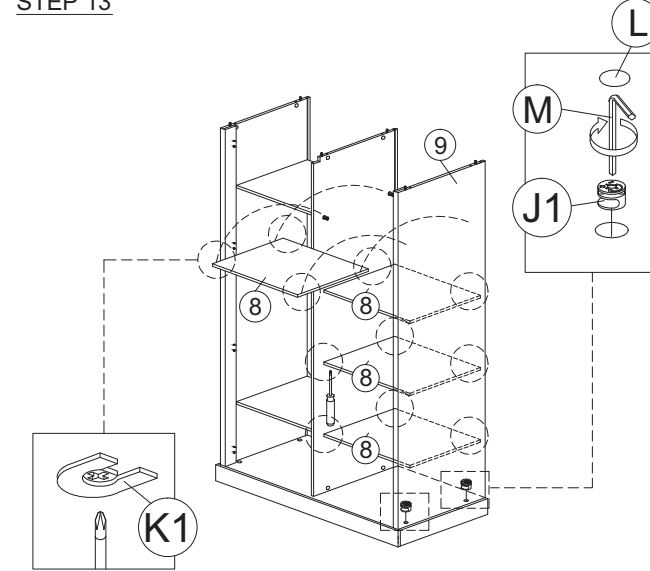
STEP 11



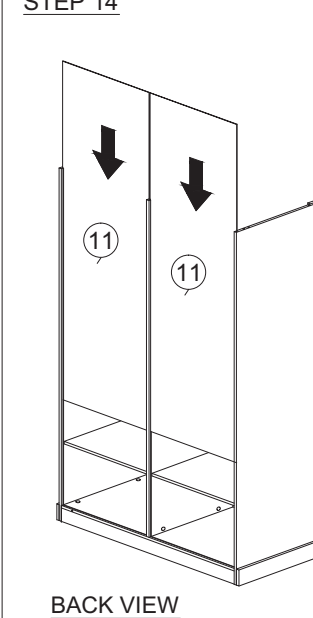
STEP 12



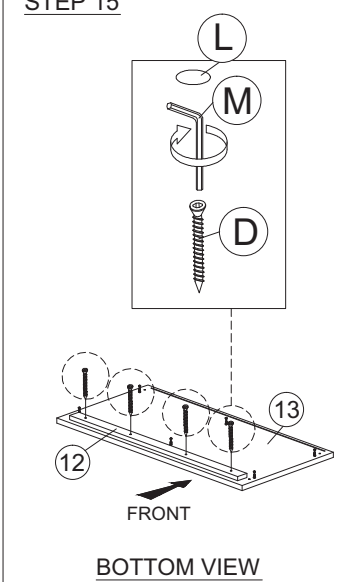
STEP 13



STEP 14



STEP 15

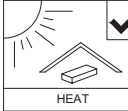




SOFT, DRY CLOTH



CHEMICAL



HEAT



KEEP DRY



HANDLE WITH CARE

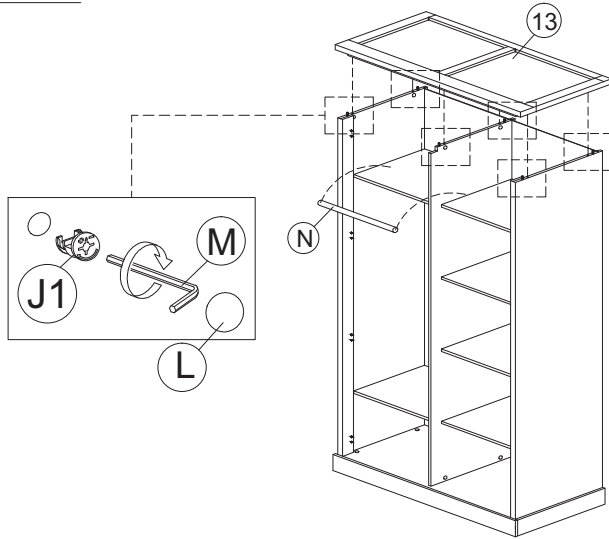


DO NOT USE KNIFE

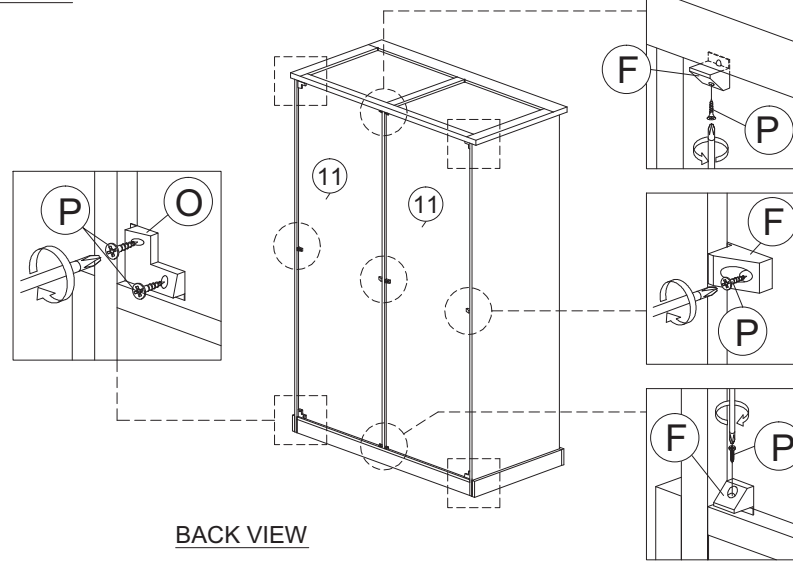
ASSEMBLY INSTRUCTION

MODEL : WR 80096-S5V - ELLA KLEERKAST / ARMOIRE 2 D/P / 2 DOORS WARDROBE

STEP 16

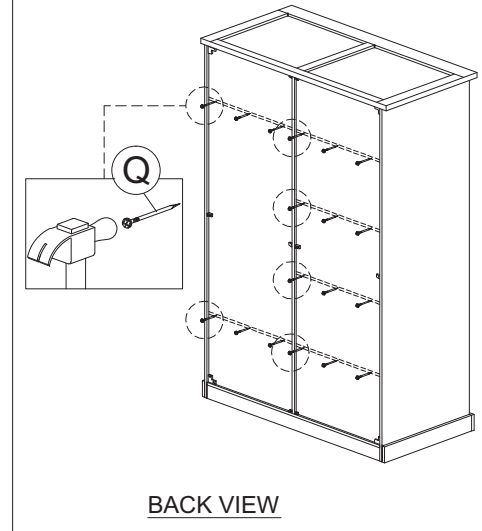


STEP 17



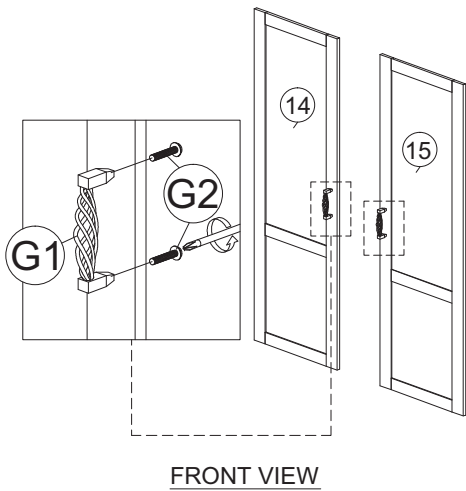
BACK VIEW

STEP 18



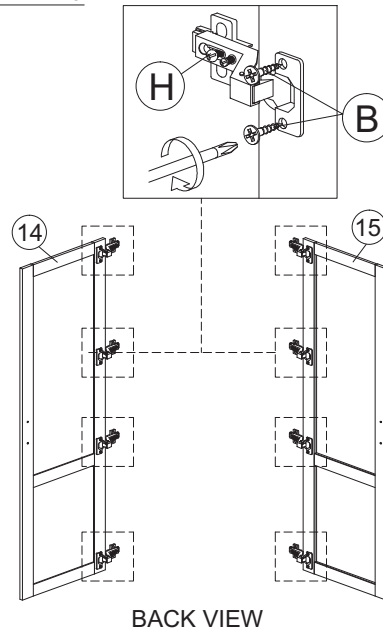
BACK VIEW

STEP 19



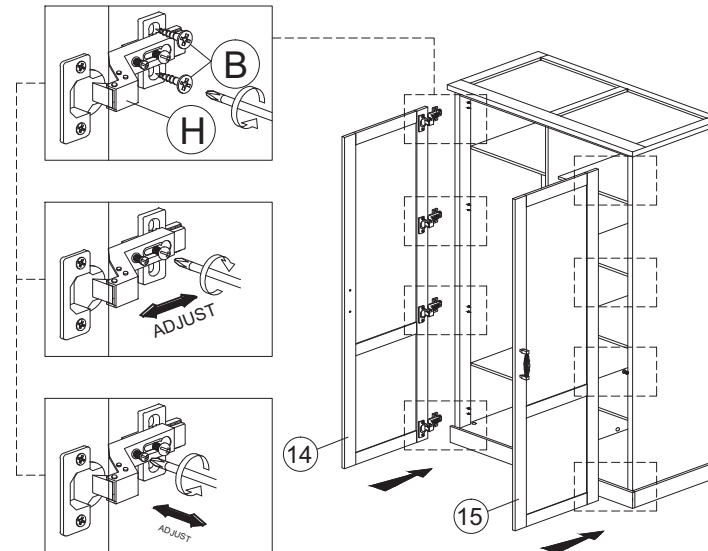
FRONT VIEW

STEP 20



BACK VIEW

STEP 21



COMPLETED

