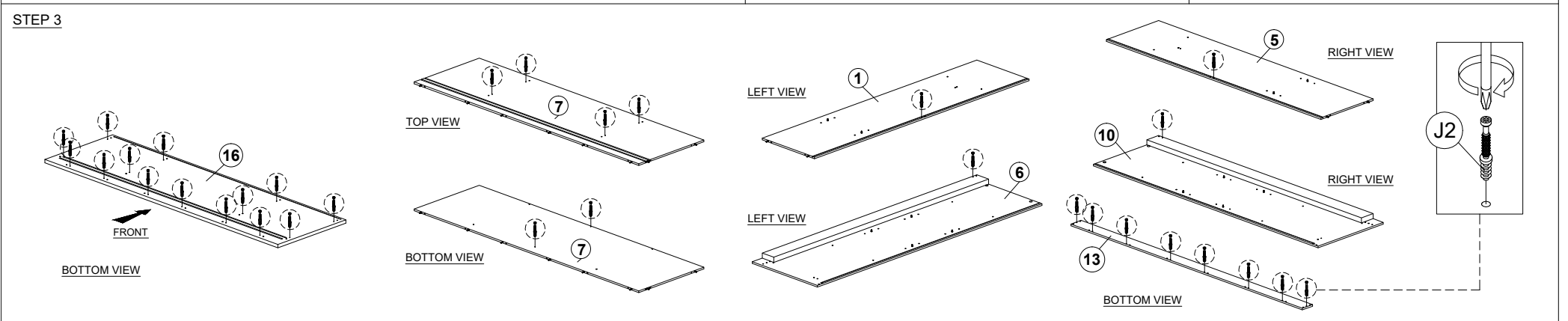
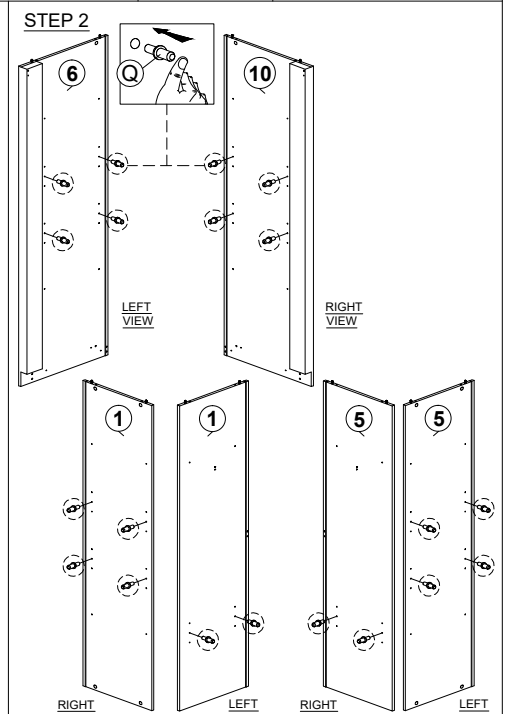
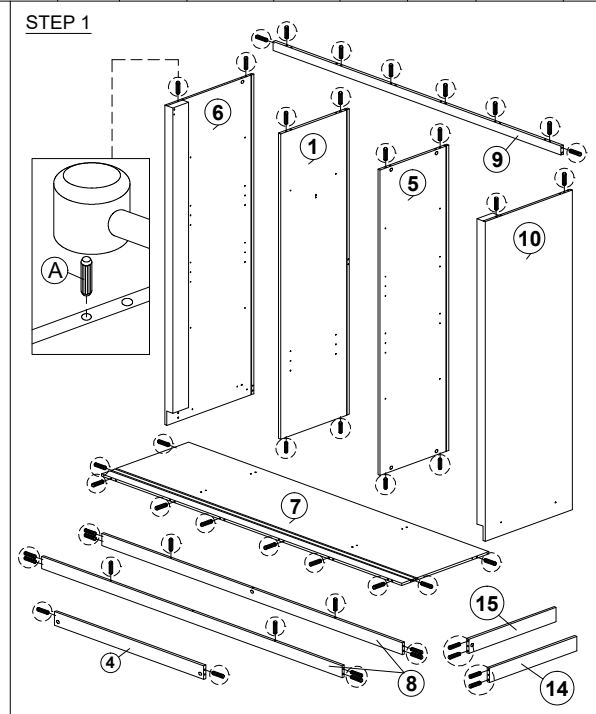
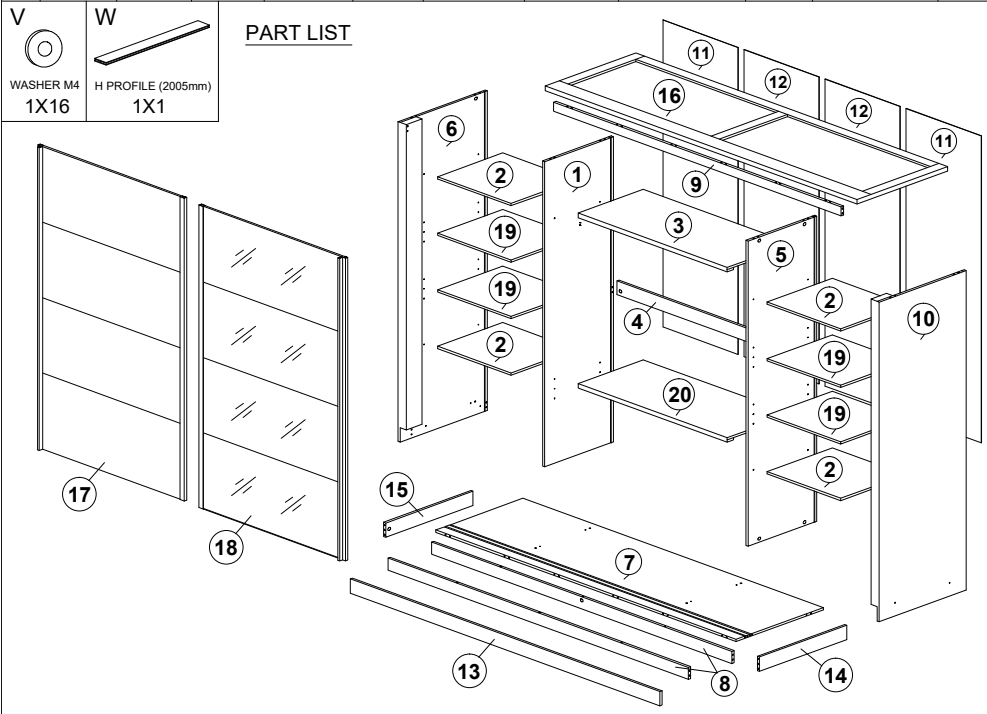
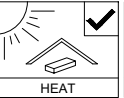
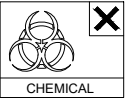


ASSEMBLY INSTRUCTION

MODEL : WR 80113-4M-S5V - ELLA KLEERKAST / ARMOIRE 2 D/P / 2 SLIDING DOORS
WARDROBE WITH 4 MIRRORS

HARDWARE	A PLASTIC DOWEL M8x25 1X48	B CB SCREW M3.5x12 1X128	C CB SCREW M4x25 1X20	D CSK CAP SCREW M6x40 1X4	E V-IRON BRACKET 1X2	F PYRAMID ANGLE CORNER BLOCK 1X4	G PLASTIC CORNER BLOCK 1X12	H 'U' PLASTIC RAIL (1139-15) - 2031MM 1X4	I PLASTIC PIN 1X8	J MINIFIX 5654 32 SETS	K Q-FIT VB3500 20 SETS	L CAP M4x20 1X20	M ALLEN KEY 1X1	N CHROME PIPE (1048MM) 1X1	O CB SCREW M3.5x20 1X28	P POWER NAIL 6/8 1X30	Q METAL SHELF SUPPORT (75 x 20MM) 1X20	R I-BRACKET (75 x 11X12) 1X12	S METAL BAR (1835MM) 1X4	T DOOR PLASTIC RAIL (2005MM) T1 T2 2 SETS	U SLIDING DOOR GUIDE - 1139 ROLLER - WHITE U1 U2 4 SETS
	V WASHER M4 1X16	W H PROFILE (2005mm) 1X1	PART LIST																		

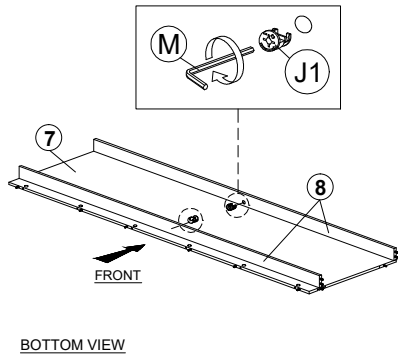




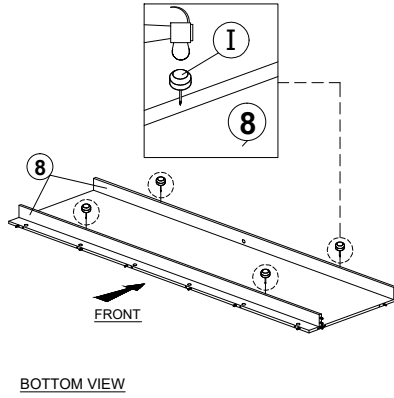
ASSEMBLY INSTRUCTION

MODEL : WR 80113-4M-S5V - ELLA KLEERKAST / ARMOIRE 2 D/P / 2 SLIDING DOORS
WARDROBE WITH 4 MIRRORS

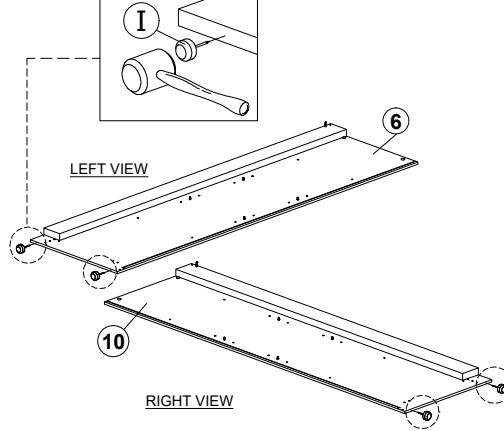
STEP 4



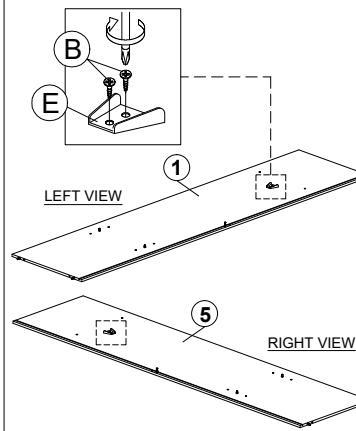
STEP 5



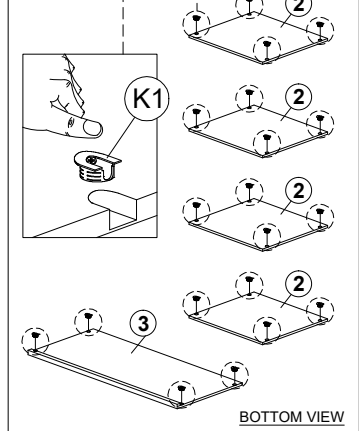
STEP 6



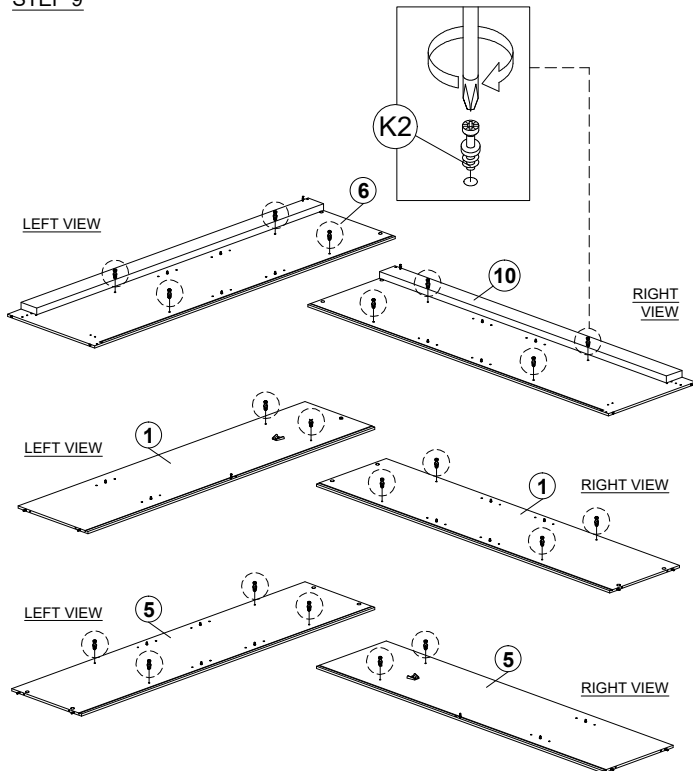
STEP 7



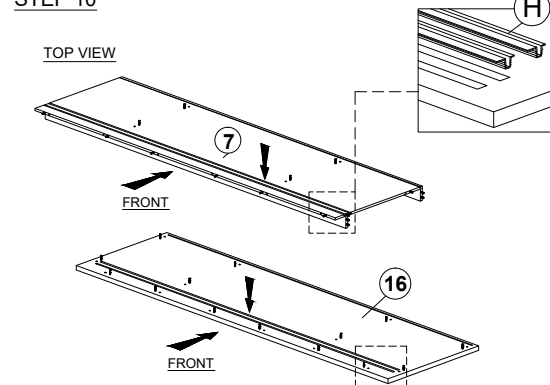
STEP 8



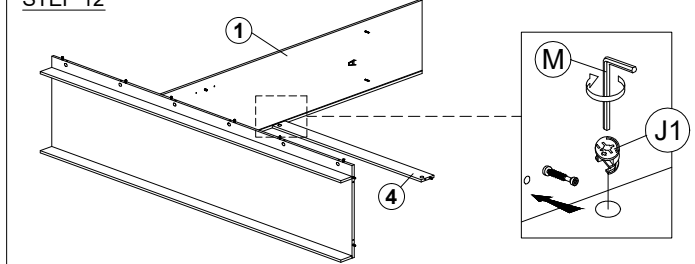
STEP 9



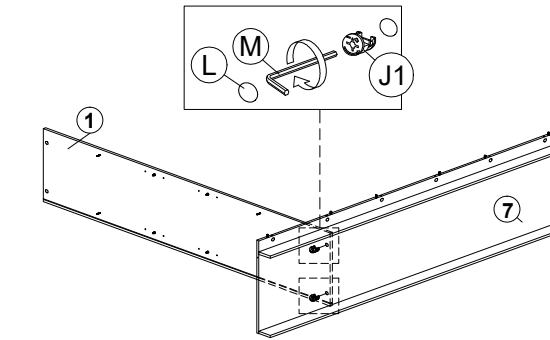
STEP 10



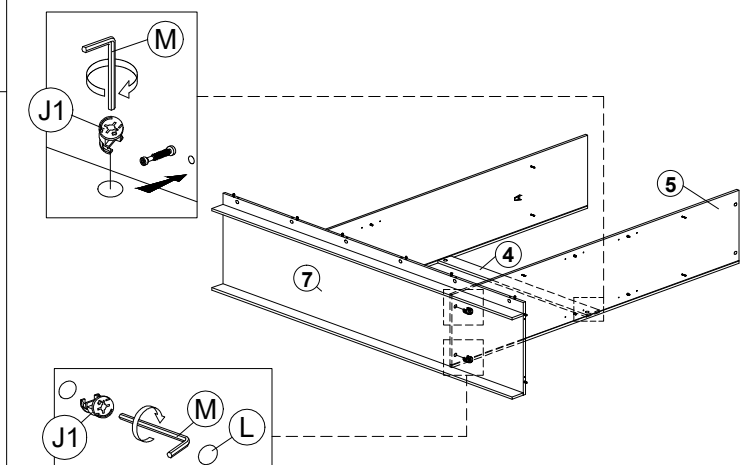
STEP 12

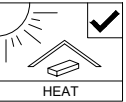


STEP 11



STEP 13

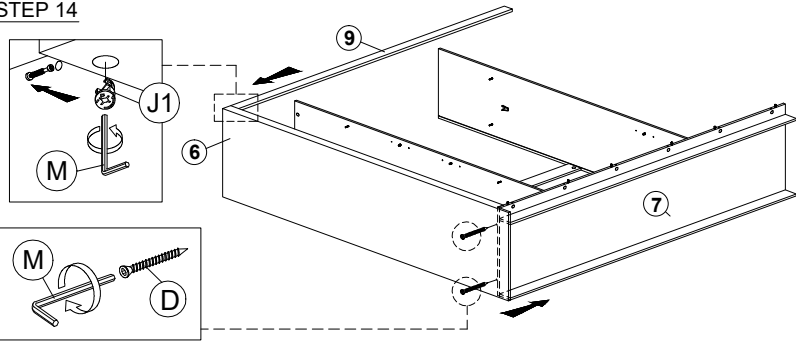




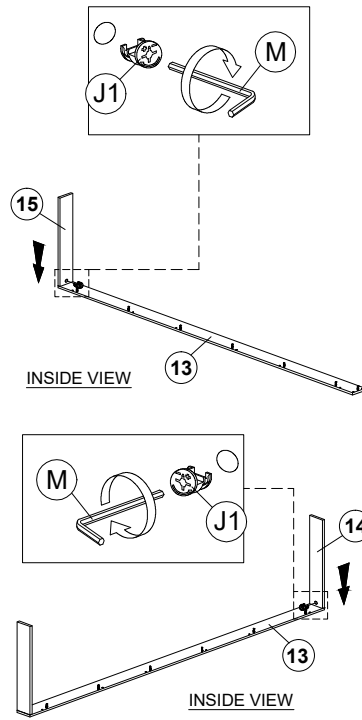
ASSEMBLY INSTRUCTION

MODEL : WR 80113-4M-S5V - ELLA KLEERKAST / ARMOIRE 2 D/P / 2 SLIDING DOORS
WARDROBE WITH 4 MIRRORS

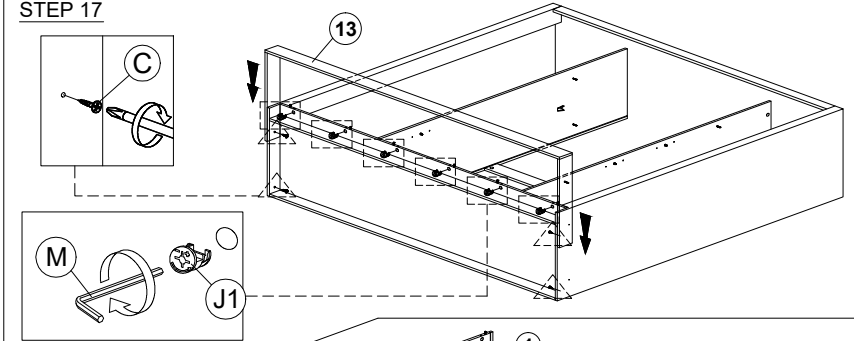
STEP 14



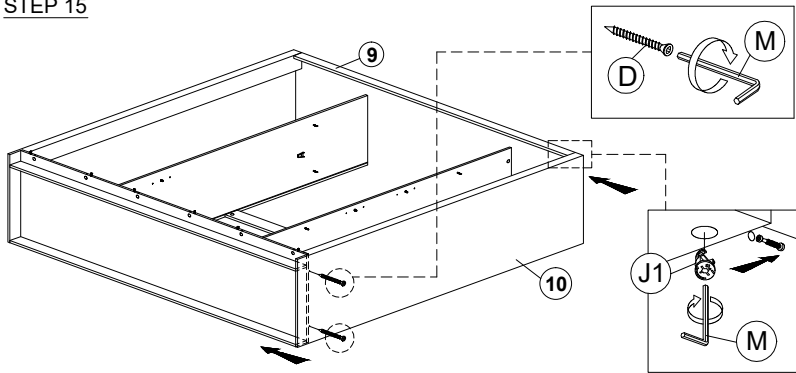
STEP 16



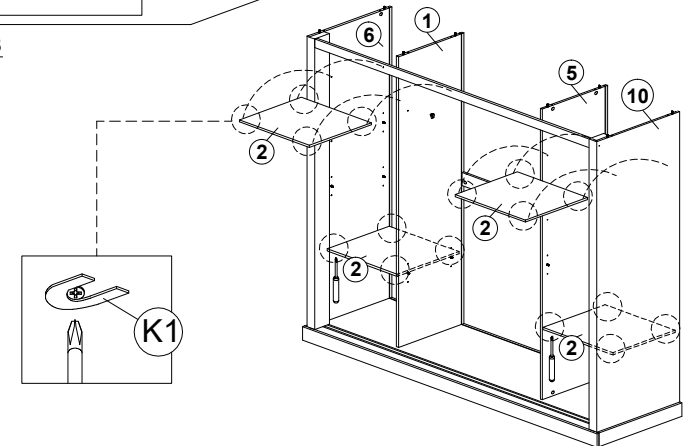
STEP 17



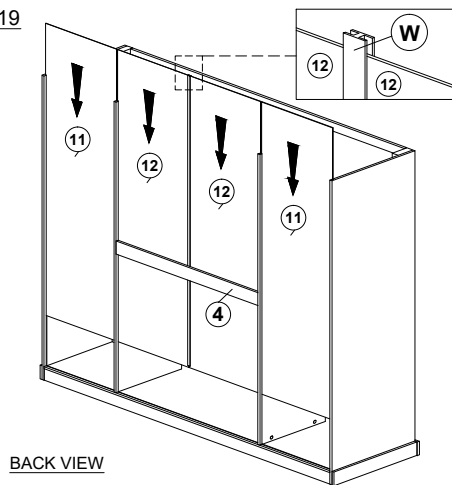
STEP 15



STEP 18

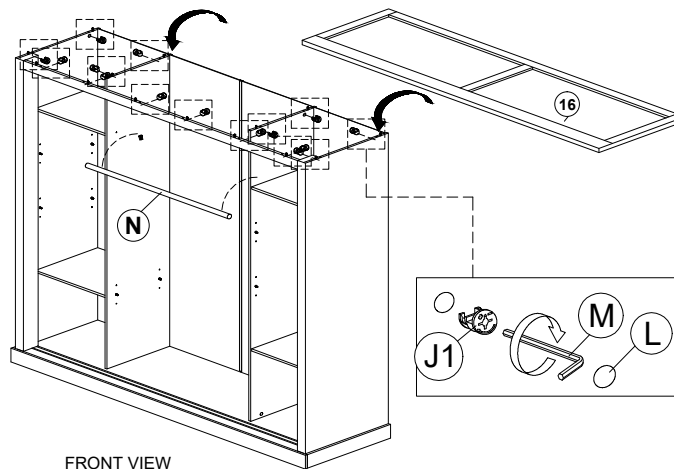


STEP 19



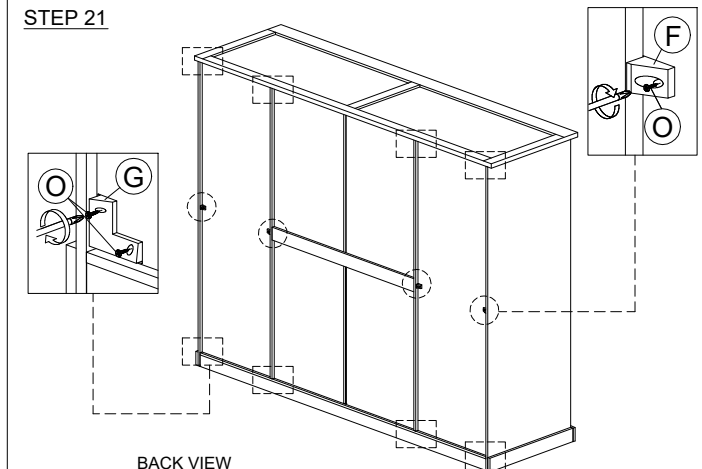
BACK VIEW

STEP 20

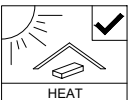
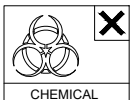


FRONT VIEW

STEP 21



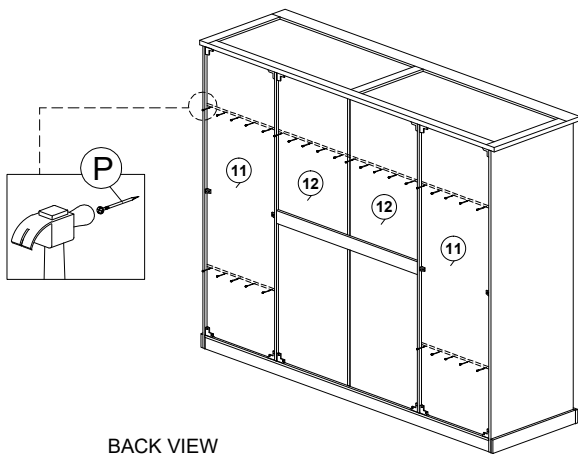
BACK VIEW



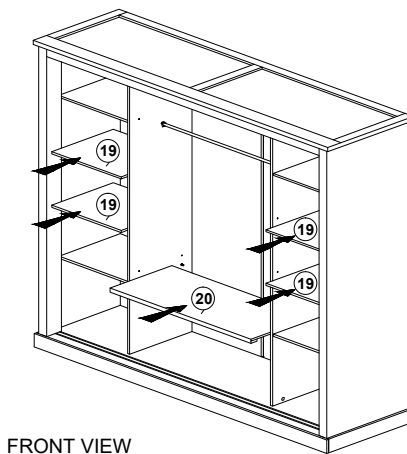
ASSEMBLY INSTRUCTION

MODEL : WR 80113-4M-S5V - ELLA KLEERKAST / ARMOIRE 2 D/P / 2 SLIDING DOORS
WARDROBE WITH 4 MIRRORS

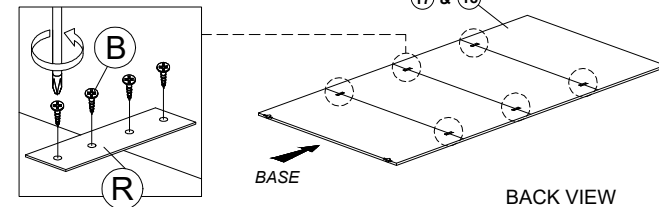
STEP 22



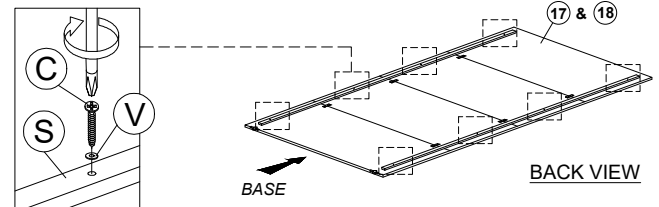
STEP 23



STEP 24

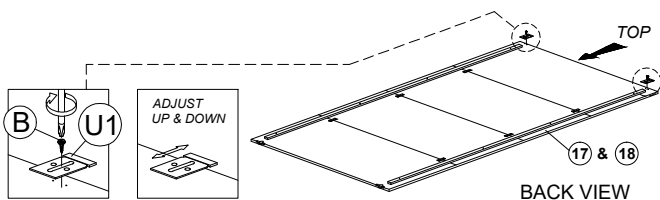


STEP 25

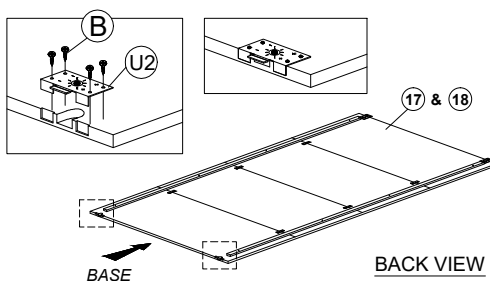


STEP 26

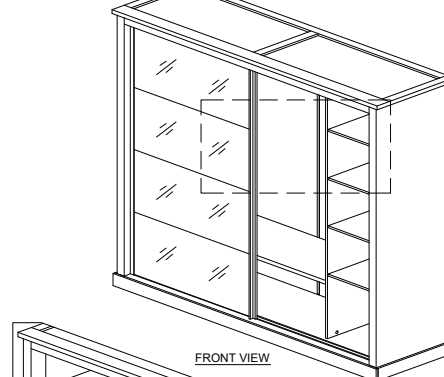
1. SCREW AT THE CENTER SLIDING DOOR GUIDE.
2. DO NOT FULLY TIGHTEN THE SCREW.
3. SO THAT, MAKE IT EASY TO ADJUST UP & DOWN.



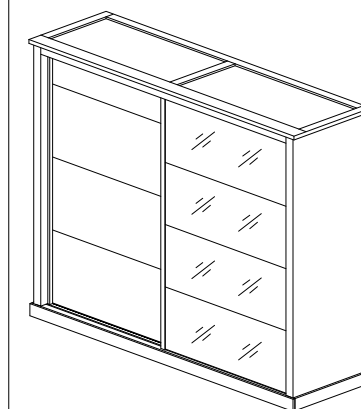
STEP 28



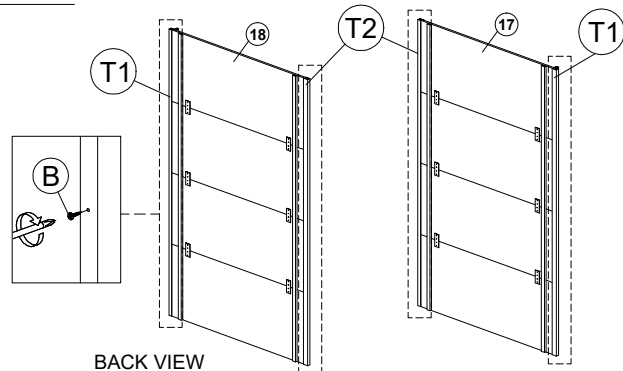
STEP 30



COMPLETED



STEP 27



STEP 29

