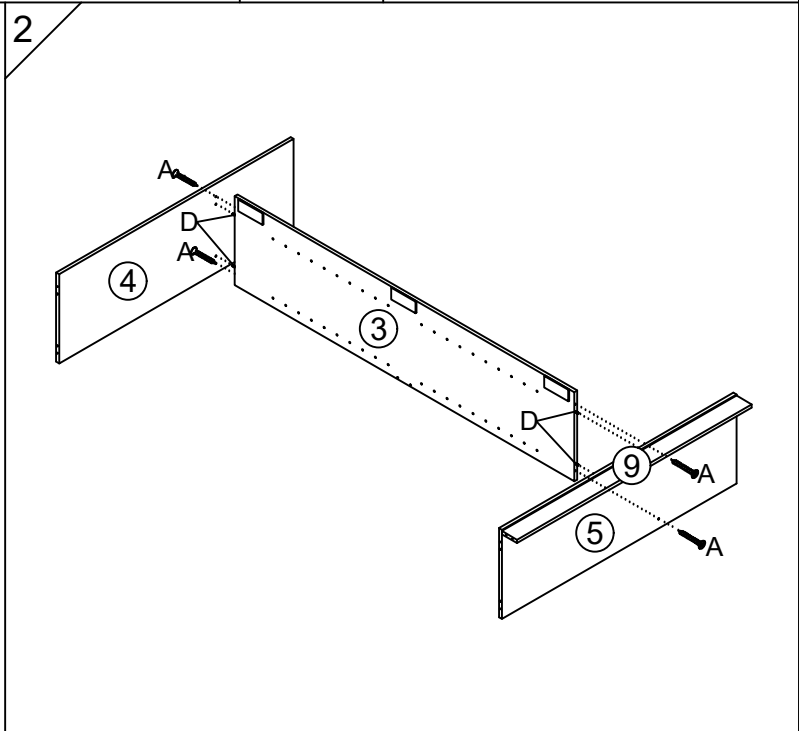
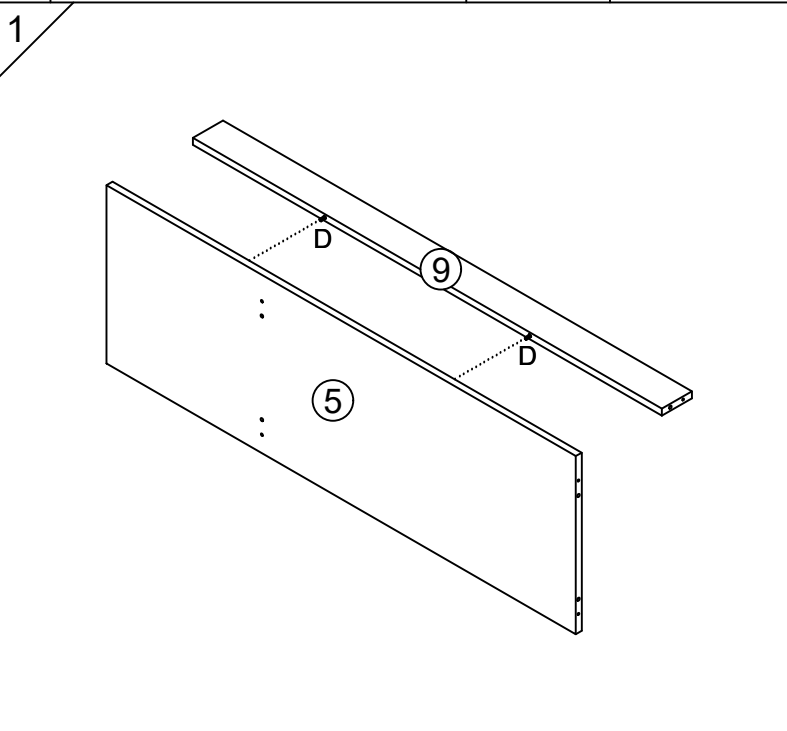
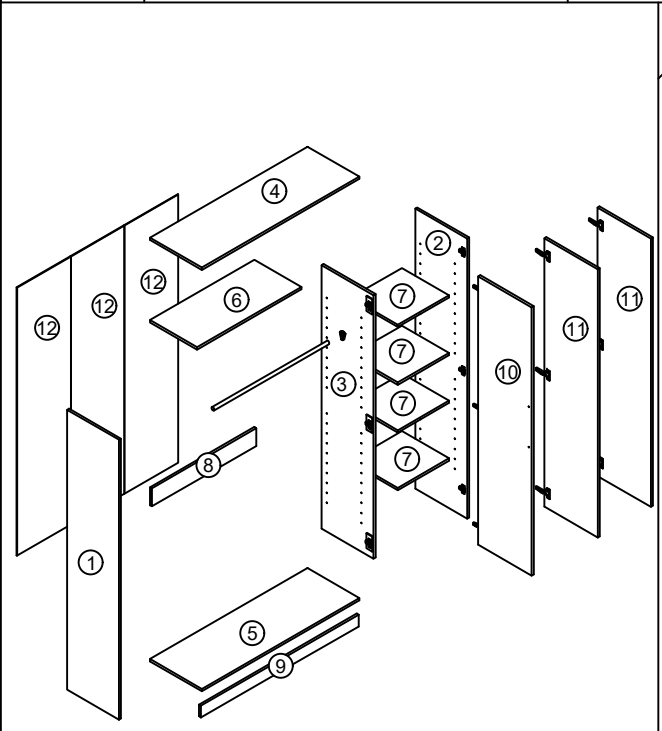
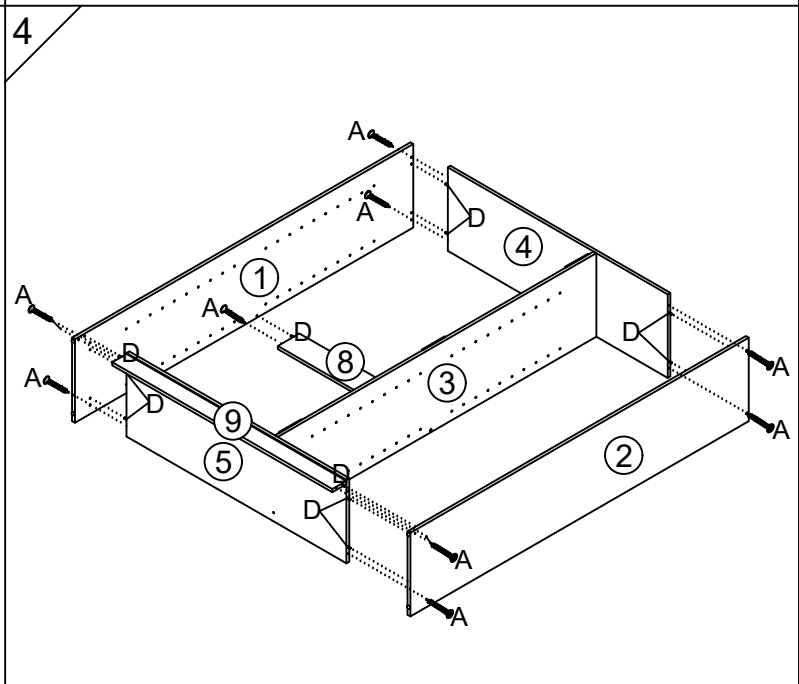
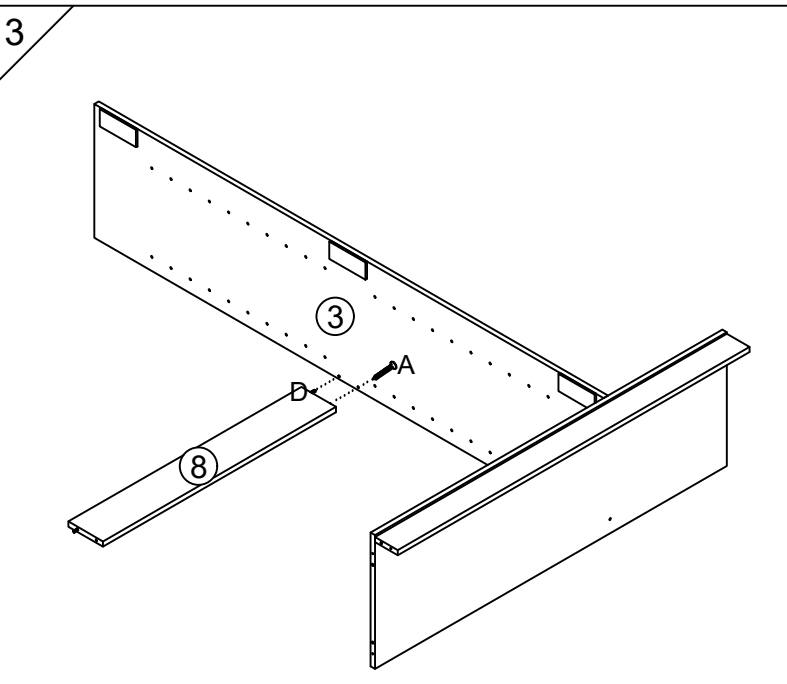


Model	DN WAR 300 103-3	Issue Date	11 - 11 - 2022	Draw By	YN NG	Approved By / Date	
Form No	P13-RD-05-Rev01	Revision	WAR 1.0	Checked By	YN NG	Sheet	01 / 02
Description	Assembly Instructions						



A		CSK SCREW M4 x 45mm	16
B		CSK SCREW M4 x 30mm	6
C		CSK SCREW M4 x 16mm	40
D		WOOD DOWEL 6 x 25mm	18
E		PVC NAIL	4
F		HINGES 5/8"	9
G		SHELF SUPPORT METAL	20
H		PVC HANDLE AC81-160	3
I		NAIL	45
J		V-BRACKET	2
K		PIPE 768 mm	1



Model	DN WAR 300 103-3	Issue Date	11 - 11 - 2022	Draw By	YN NG	Approved By / Date	
Form No	P13-RD-05-Rev01	Revision	WAR 1.0	Checked By	YN NG	Sheet	02 / 02
Description	Assembly Instructions						

