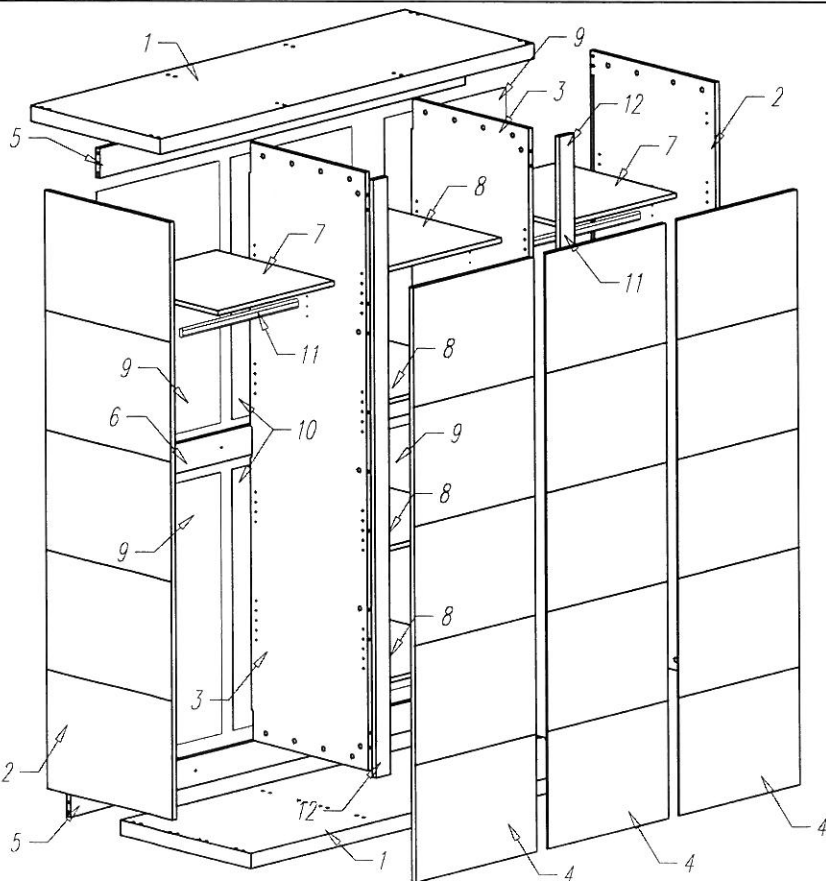


A	B	C	D	E	H	I	J	K	L	M	N	O	P
$\varnothing 7,8 \times 40$ x52	L=34/ST x48	$\varnothing 15 \times 15$ x48	MET +/N x12	H=0 x12	Plastic x4	x8	$\varnothing 3$ x24	$\varnothing 3 \times 13$ x24	$\varnothing 3 \times 16$ x24	$\varnothing 4 \times 16$ x24	$\varnothing 3,5 \times 35$ x6	x8	Plastic x16

LARA-ROB W3- 2

LARA-W3-T4 ver. 4/2019



	Part no. 7: 540x516 mm
	Part no. 8: 502x516 mm
	Part no. 9: 842x557 mm
	Part no. 10: 842x520 mm

Colli 1/5:

Part no. 2 -2 pcs/St.

Colli 2/5:

Part no. 4 -3 pcs/St.

Assembly instruction /instruction/Montage

Colli 3/5:

Part no. 3 -2 pcs/St.

Part no. 12 -2 pcs/St.

Part no. 7 -2 pcs/St.

Part no. 9 -4 pcs/St.

Part no. 11 -2 pcs/St.

Colli 4/5:

Part no. 1 -2 pcs/St.

Part no. 5 -2 pcs/St.

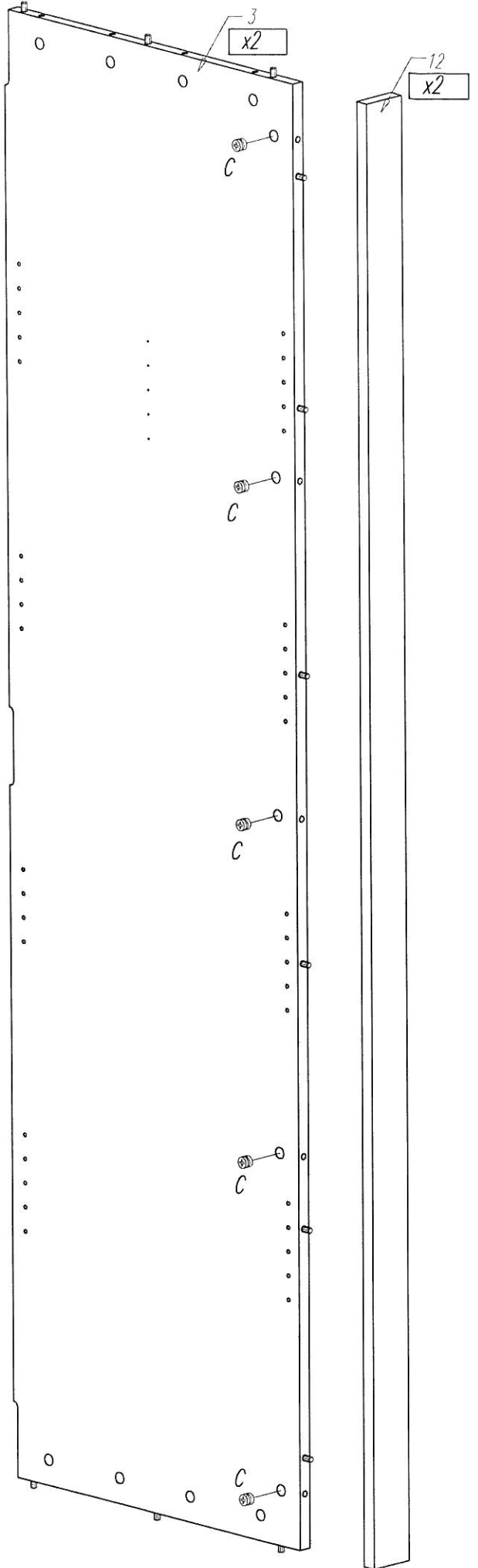
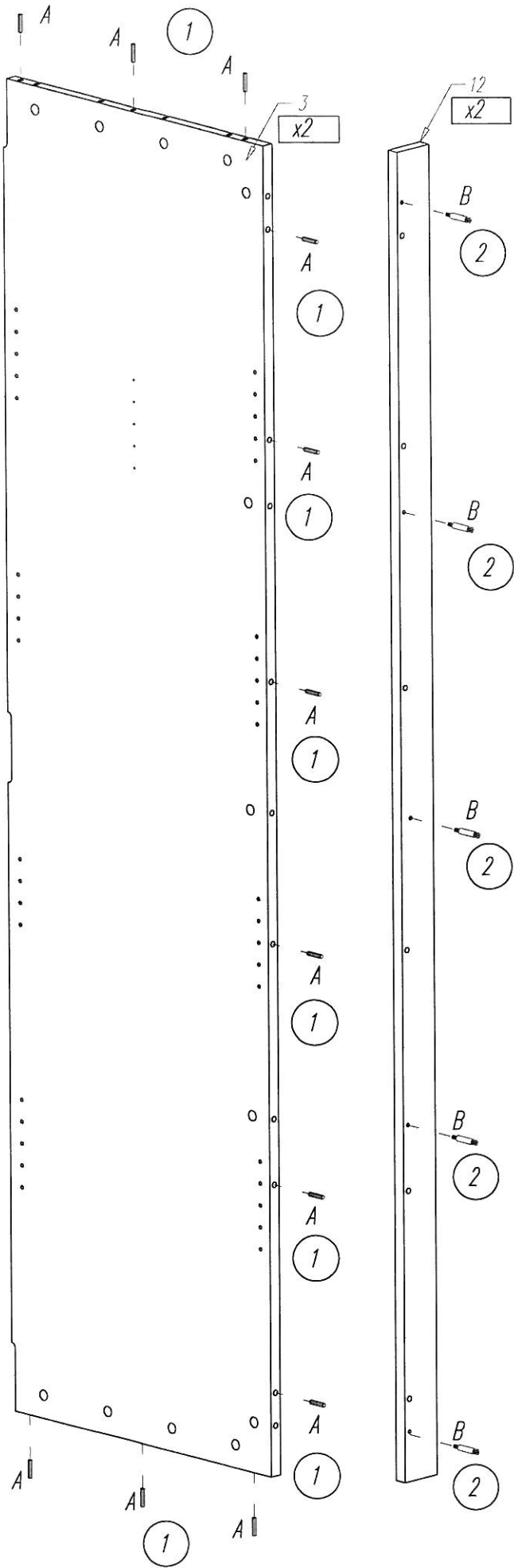
Part no. 6 -1 pcs/St.

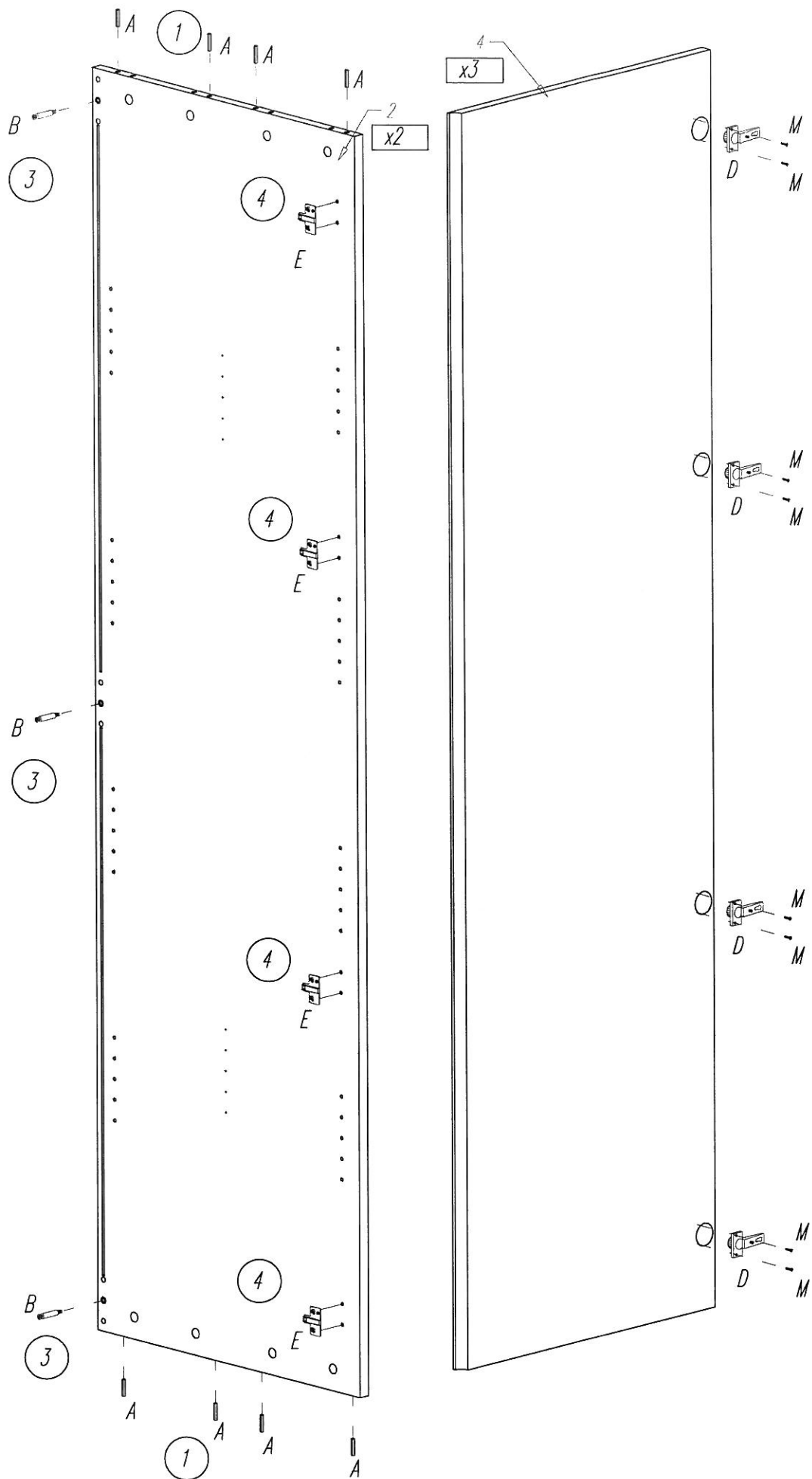
Part no. 10 -2 pcs/St.

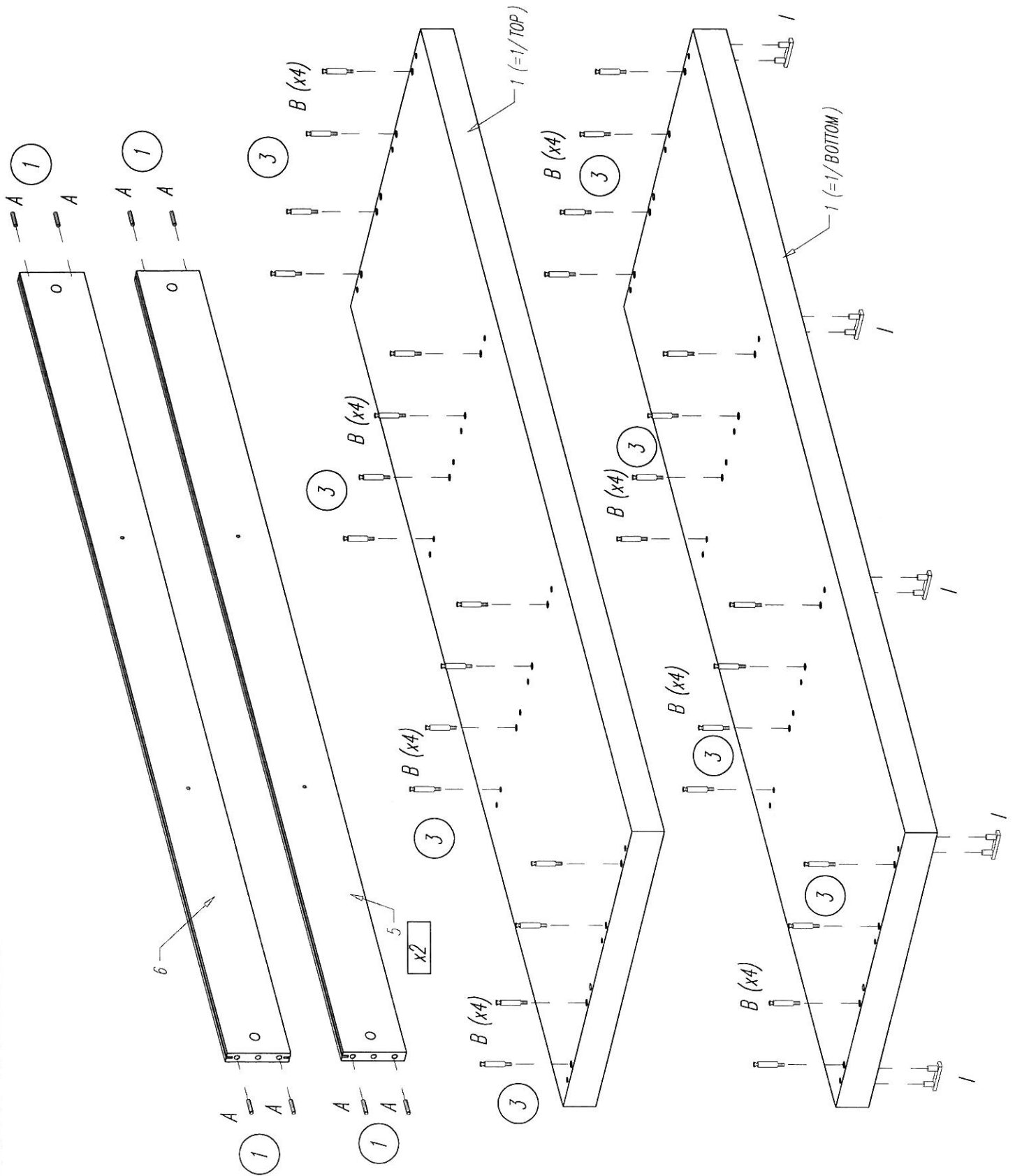
Colli 5/5:

Part no. 8 -4 pcs/St.

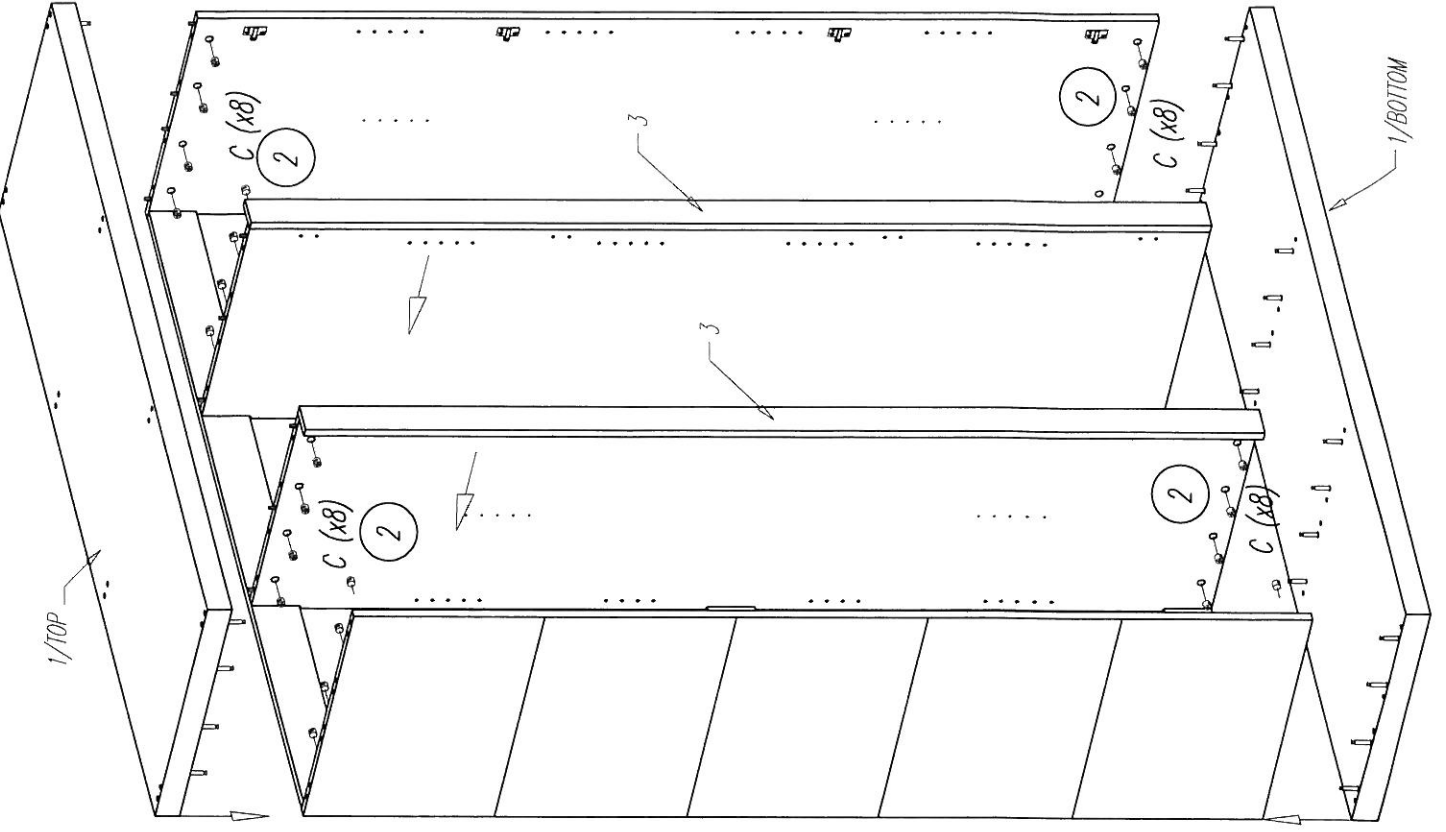
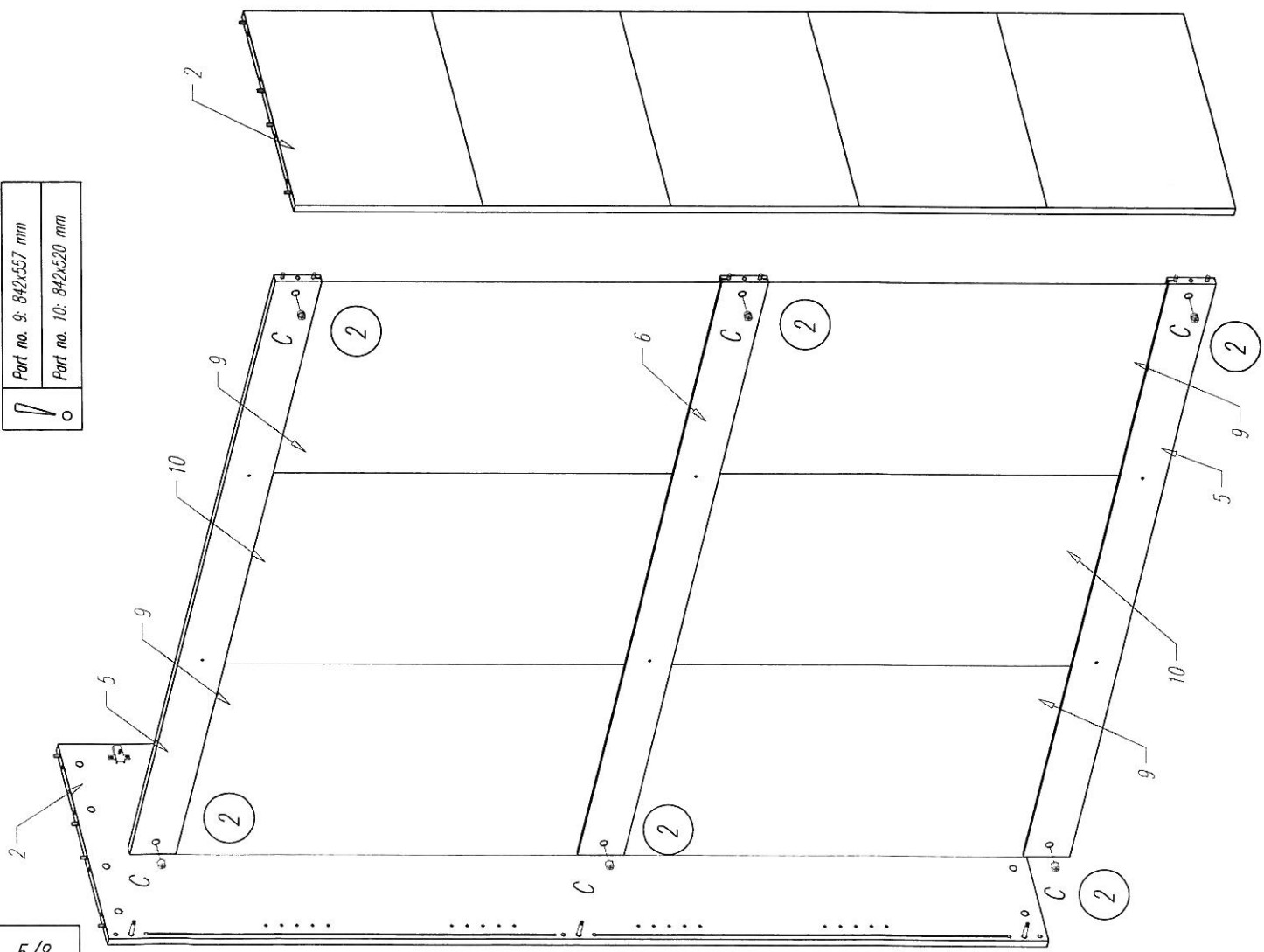
Fittings/Beschlage/Quincaillerie



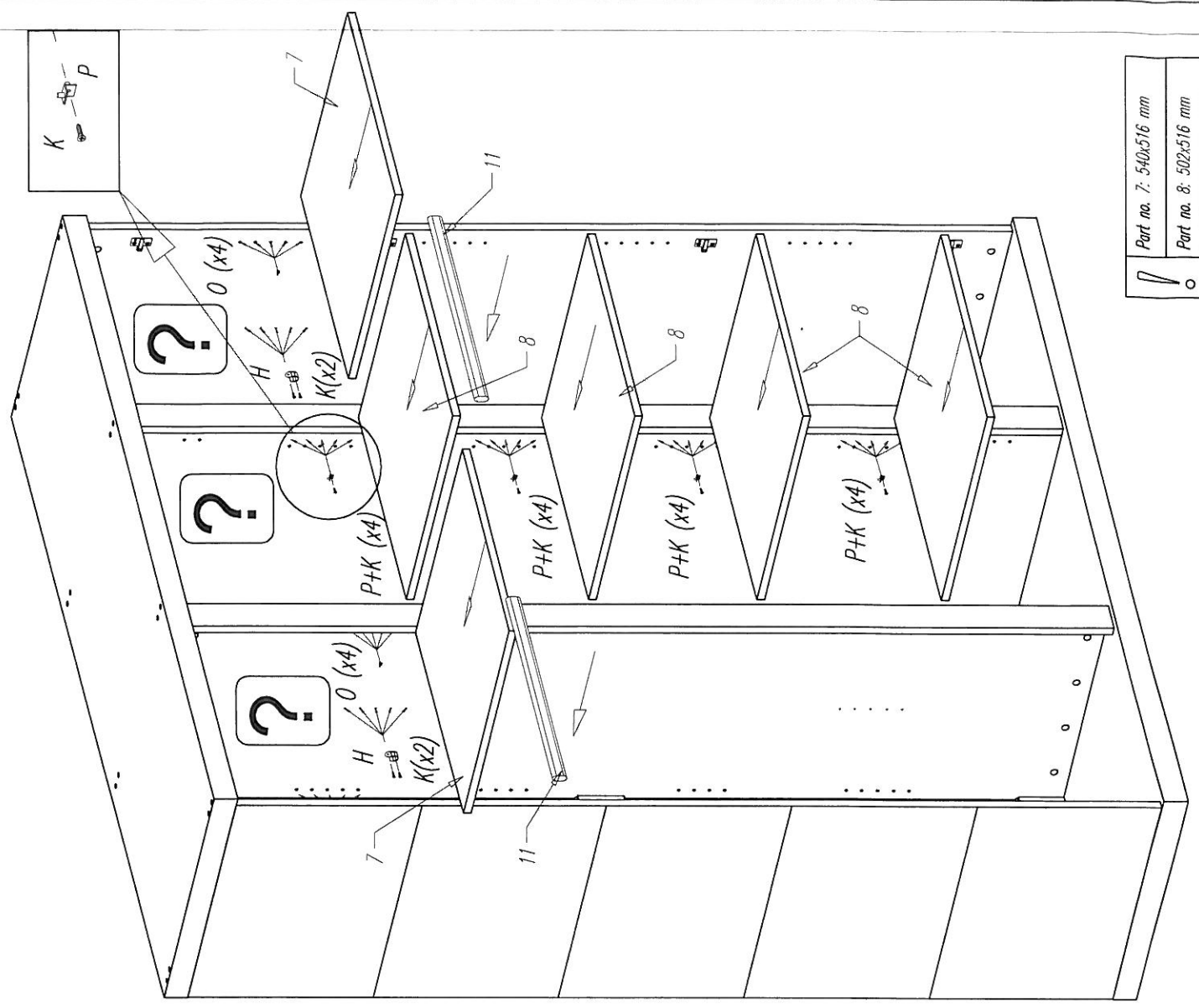




	Part no. 9: 842x557 mm
	Part no. 10: 842x520 mm



K  P



Part no. 7: 540x516 mm
Part no. 8: 502x516 mm

