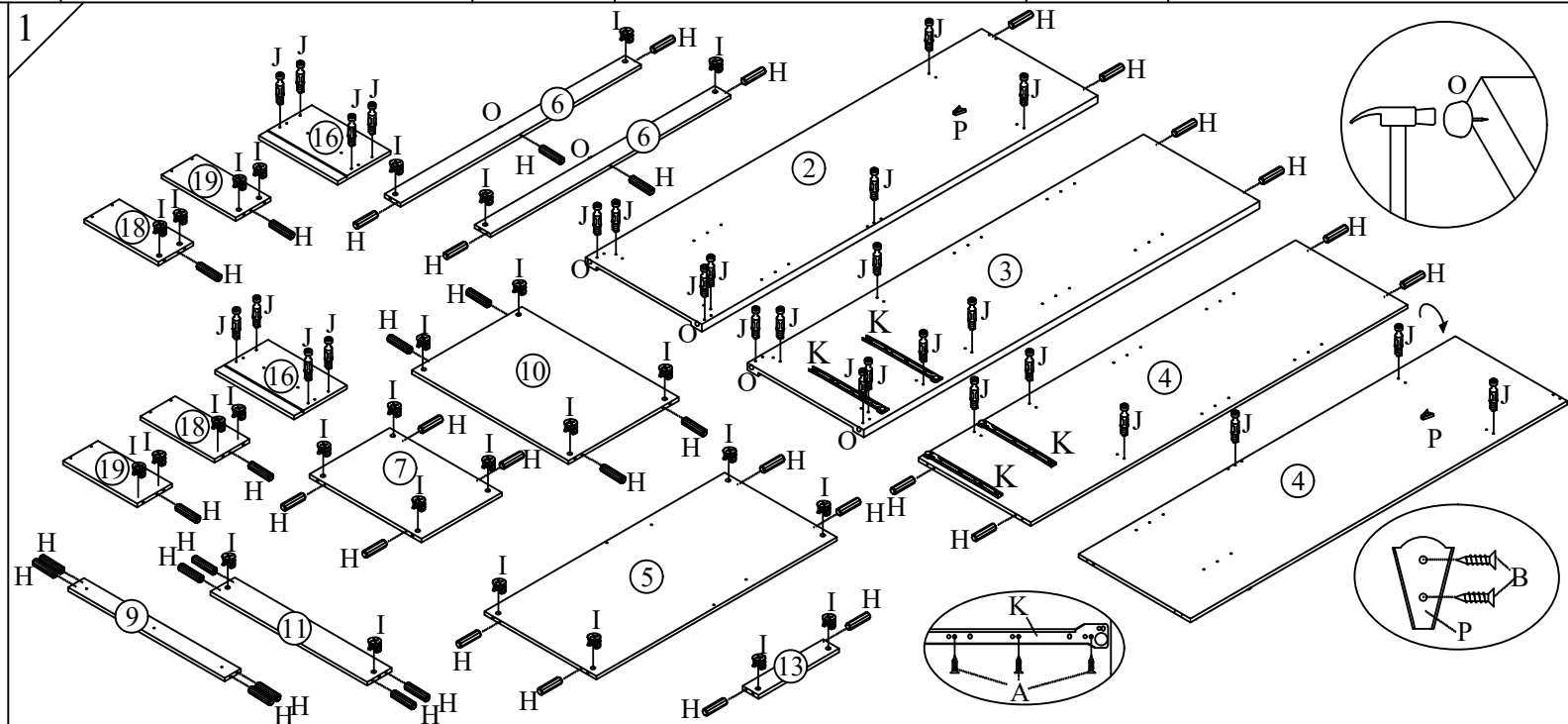
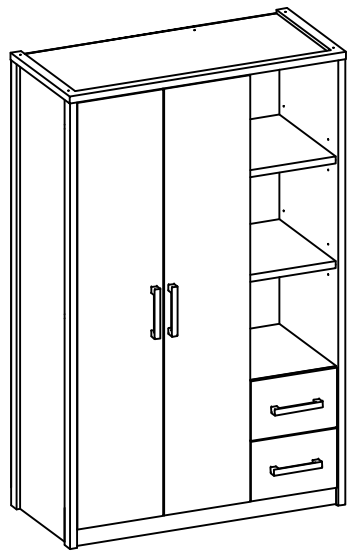
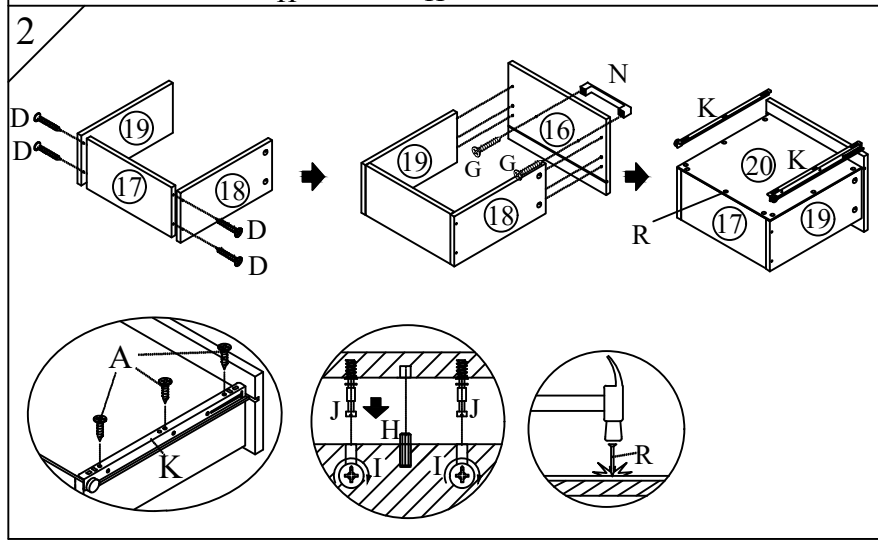


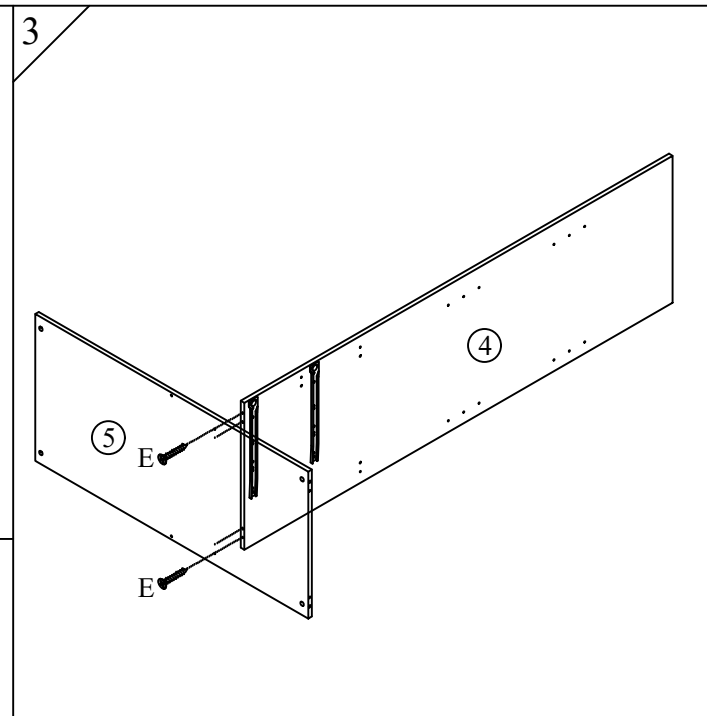
Model	DN WAR 310 220 - 1	Issue Date	19 - 6 - 2023	Draw By	QIAN	Approved By / Date	
Form No	P13-RD-05-Rev01	Revision	WAR 1.0	Checked By	YN NG	Sheet	01 / 02
Description	Assembly Instructions						



A	CSK SCREW M3.5 x 12 mm	24
B	CSK SCREW M4 x 16 mm	28
C	CSK SCREW M4 x 25 mm	3
D	CSK SCREW M4 x 38 mm	8
E	CSK SCREW M4 x 45 mm	4
F	CSK SCREW M4 x 65 mm	4
G	CSK SCREW M4 x 30 mm	8
H	WOOD DOWEL M6 x 25 mm	40
I	CAM NUT 15 mm	28
J	CAM BOLT	28
K	METAL RUNNER 14"	2
L	HINGES 5/8"	3
M	HINGES 7/8"	3
N	HANDLE OFY 180/160	4
O	PVC NAIL 5/8"	6
P	V - BRACKET	2



Q	PIPE 808 mm	1
R	NAIL	74
S	METAL SHELF SUPPORT	12



Model	DN WAR 310 220 - 1	Issue Date	19 - 6 - 2023	Draw By	QIAN	Approved By / Date	
Form No	P13-RD-05-Rev01	Revision	WAR 1.0	Checked By	YN NG	Sheet	02 / 02
Description	Assembly Instructions						

