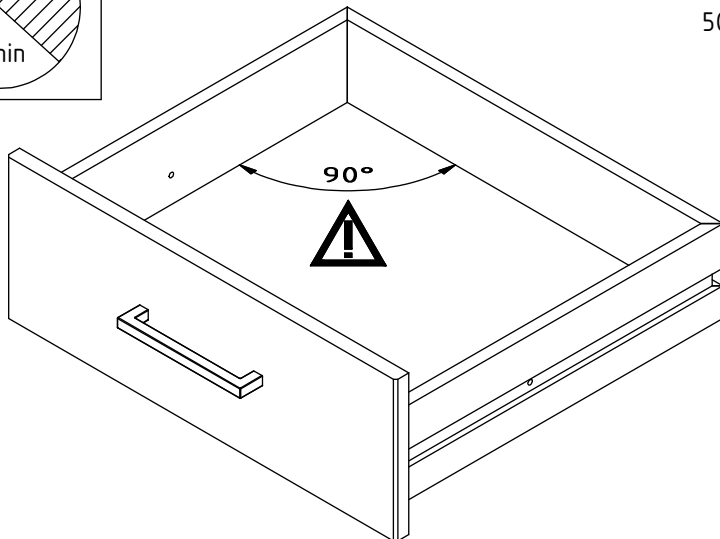
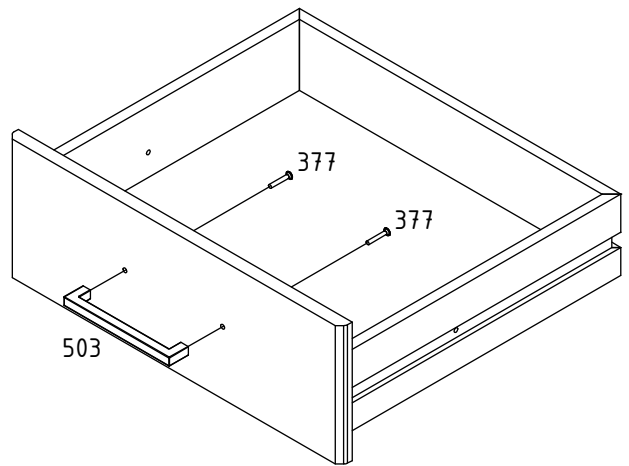
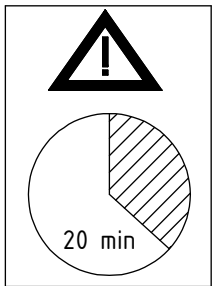
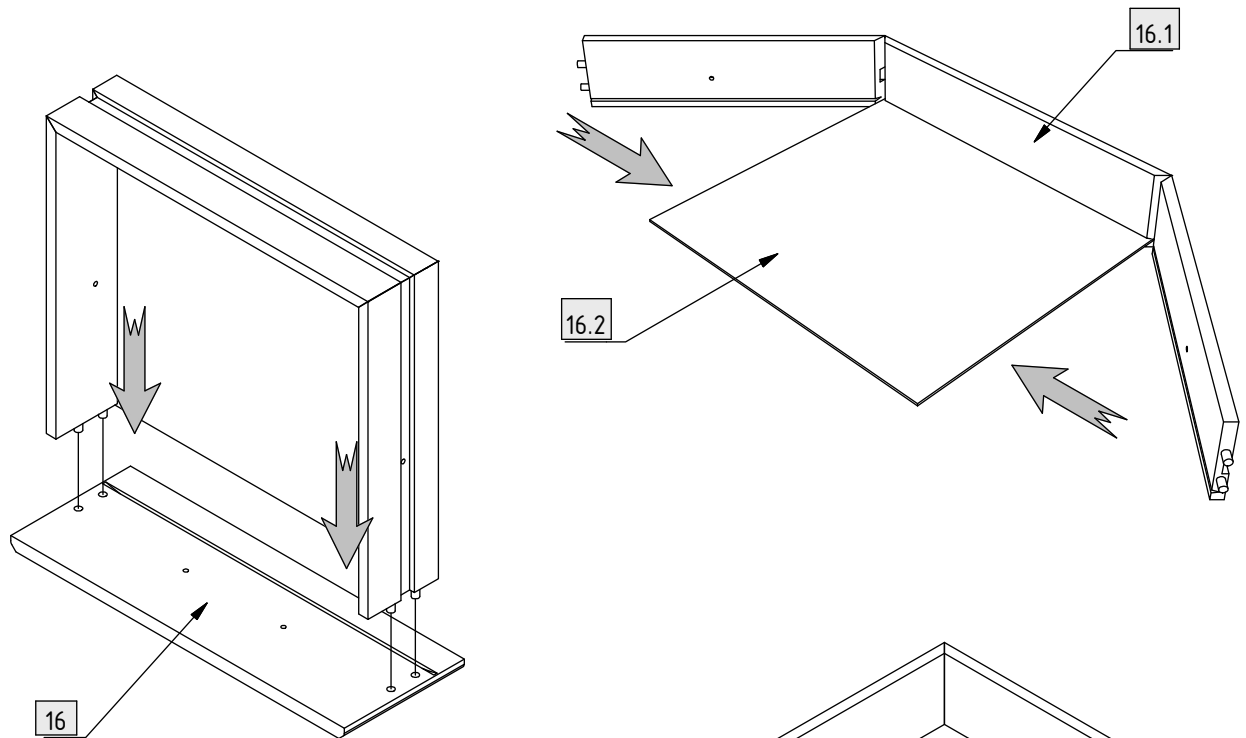
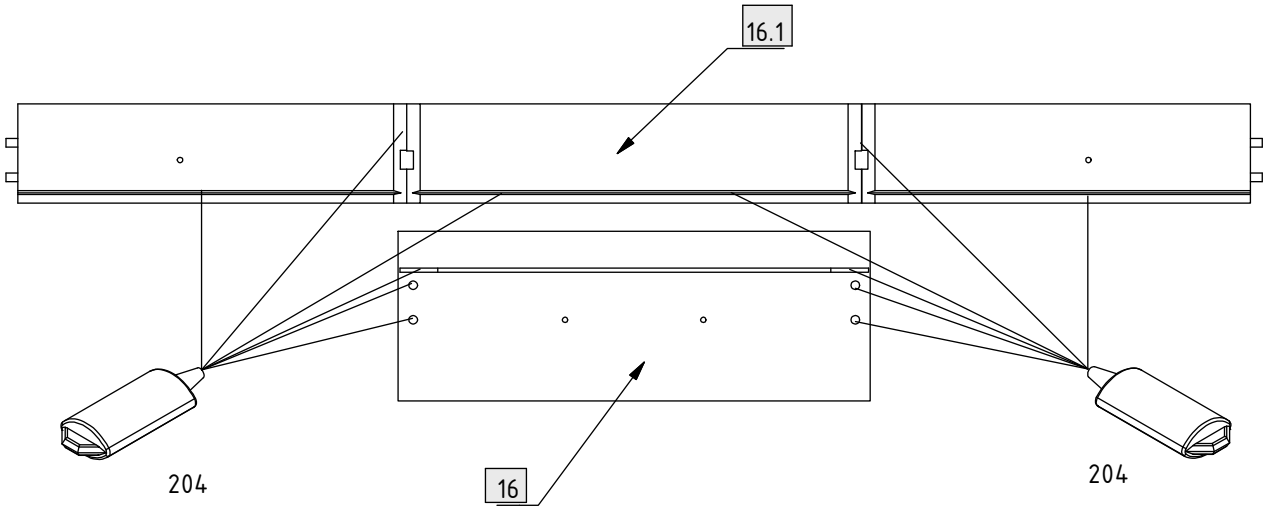
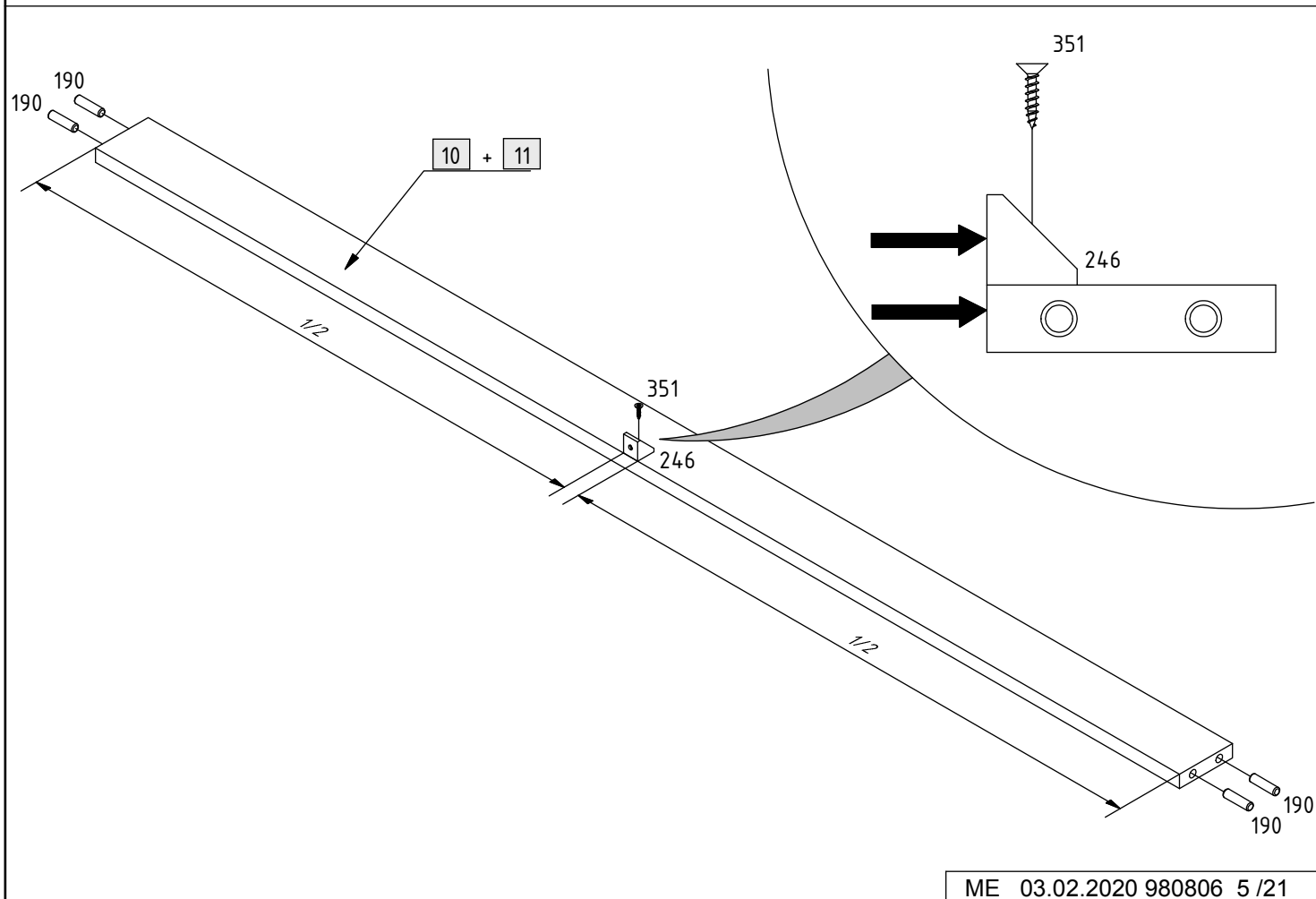
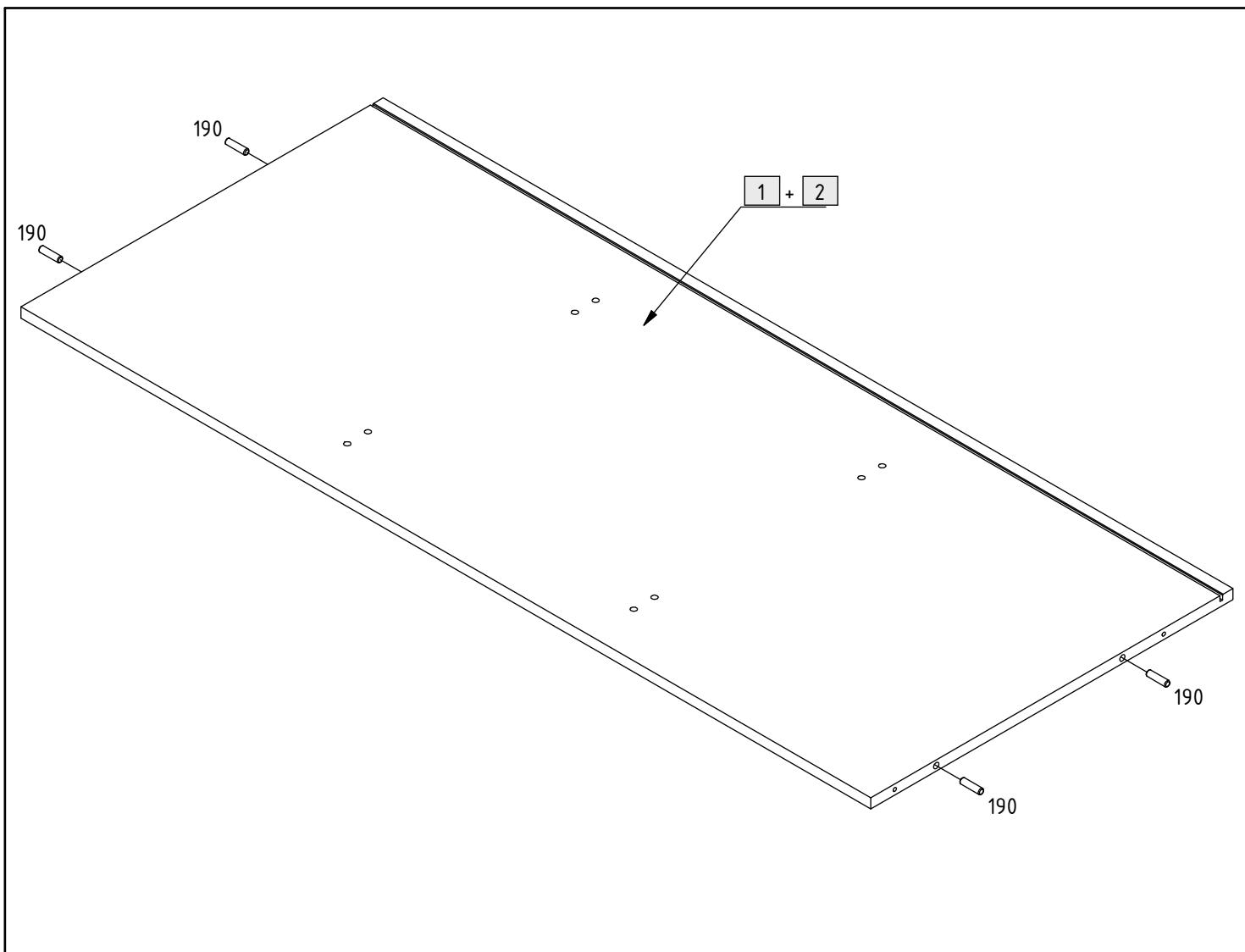
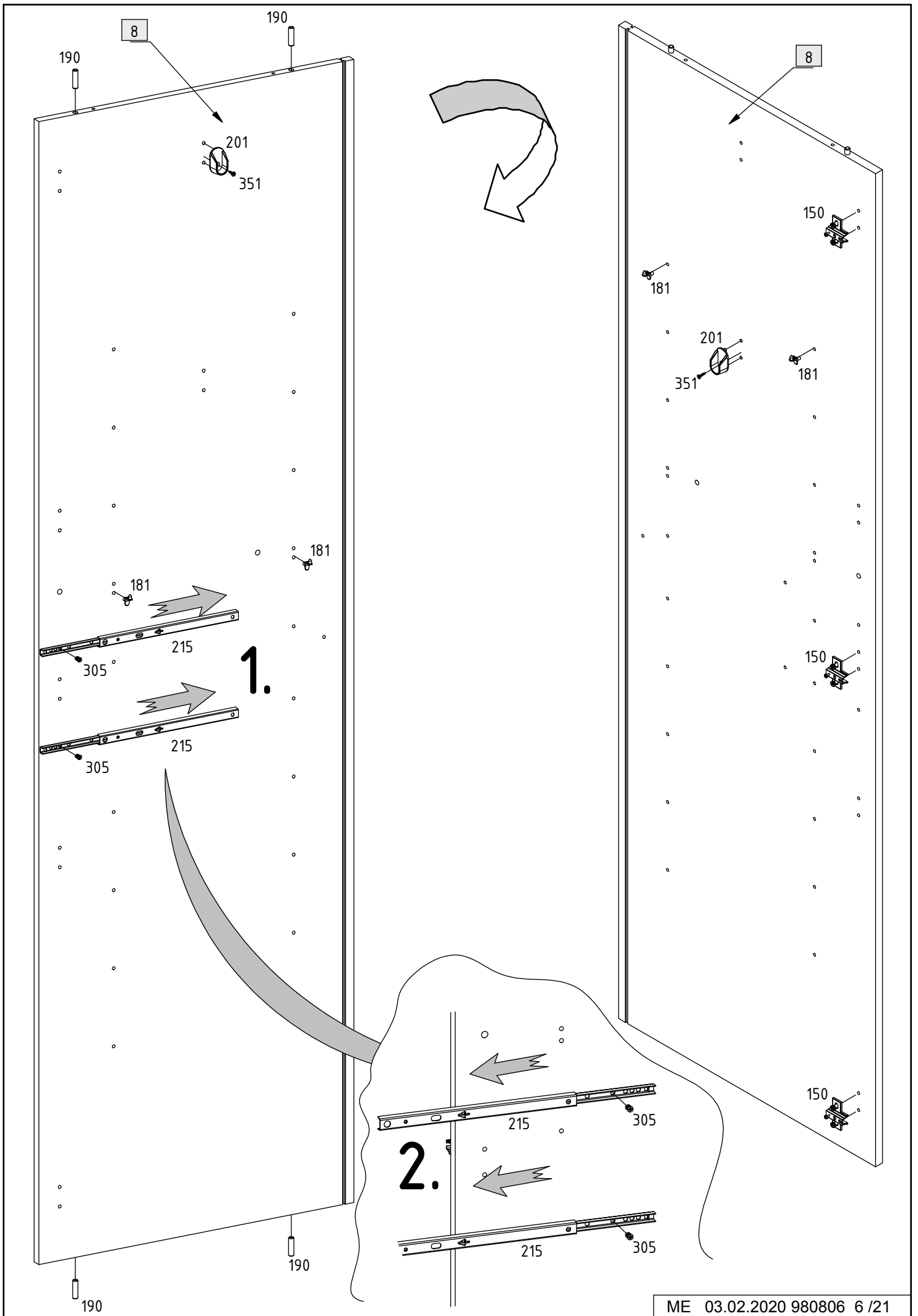


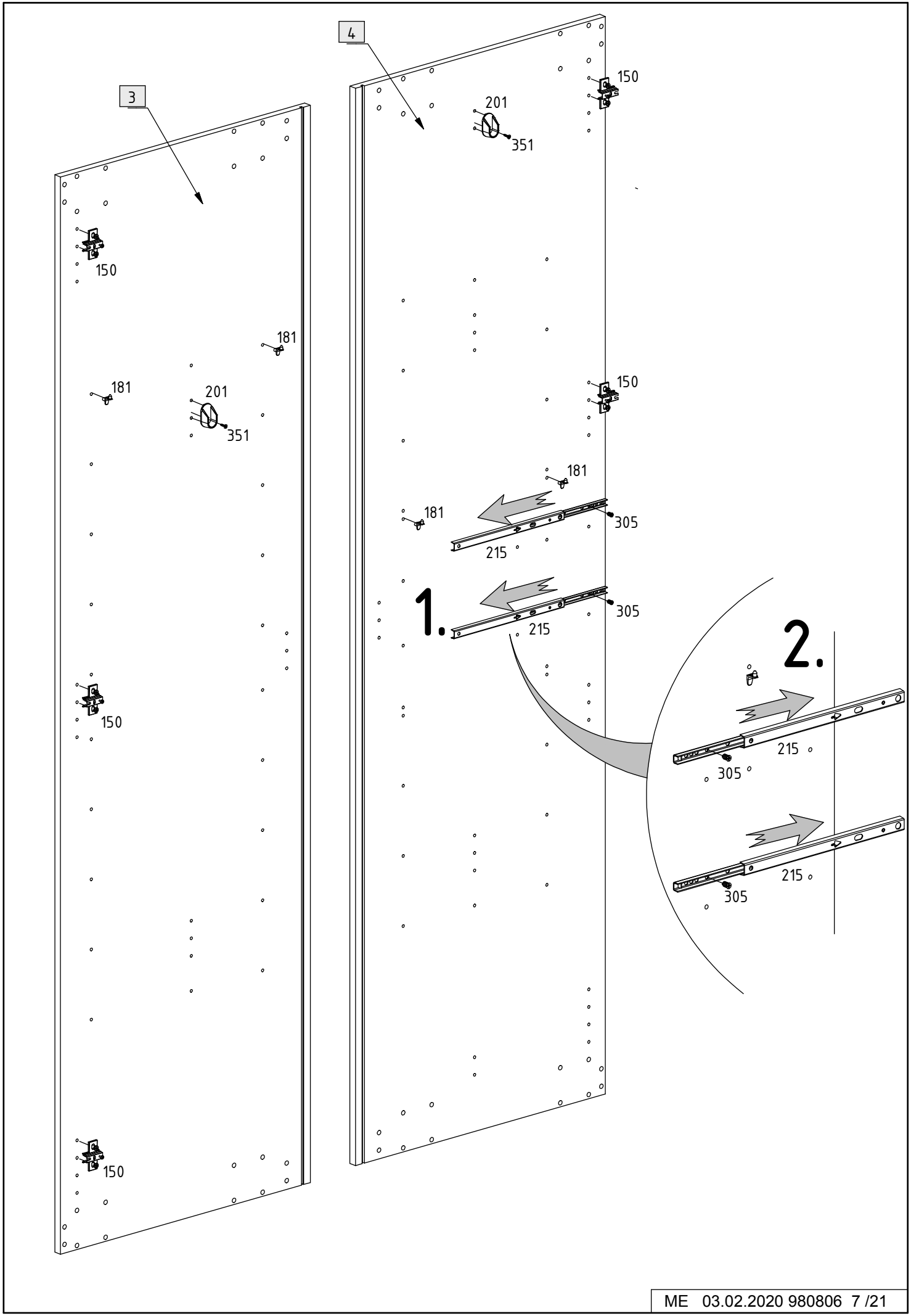
| | | | | | |
|-----|----|----------------|-----|----|-----------------|
| 101 | 8 | | 247 | 4 | |
| 102 | 8 | | 285 | 1 | |
| 150 | 10 | | 303 | 4 | 6 x 11 mm |
| 152 | 8 | | 305 | 8 | 6 x 9 mm |
| 159 | 2 | | 320 | 14 | 6 x 50 mm |
| 181 | 8 | | 330 | 2 | |
| 190 | 20 | Ø8 x 30 mm | 351 | 36 | 3,5 x 15 mm |
| 201 | 4 | | 375 | 4 | 3 x 13 mm |
| 204 | 2 | | 377 | 12 | 4 x 25 mm |
| 215 | 4 | | 408 | 4 | M4 x 9 mm |
| 221 | 4 | | 503 | 6 | |
| 240 | 2 | | 744 | 1 | |
| 246 | 4 | | 746 | 1 | |

2x

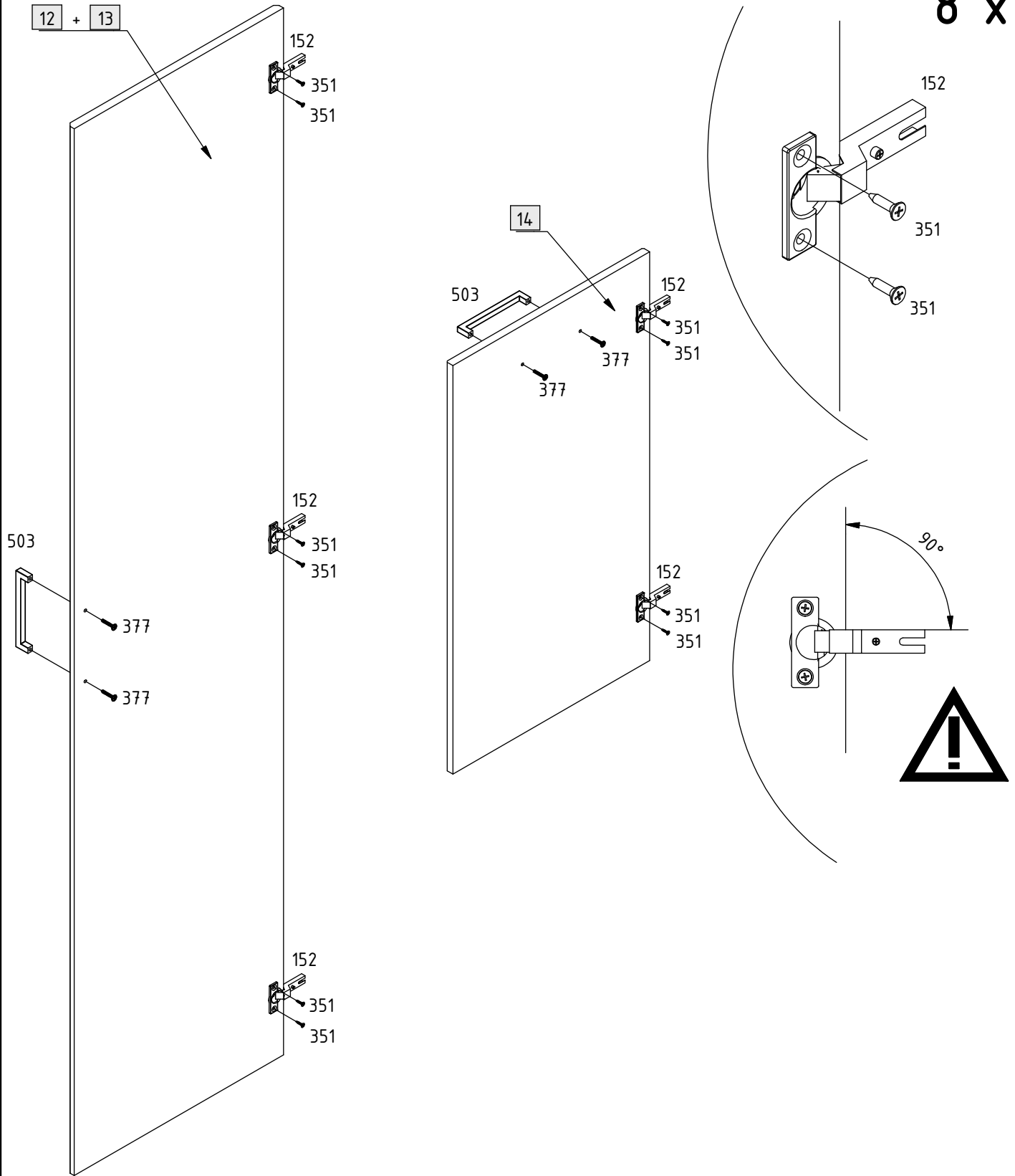




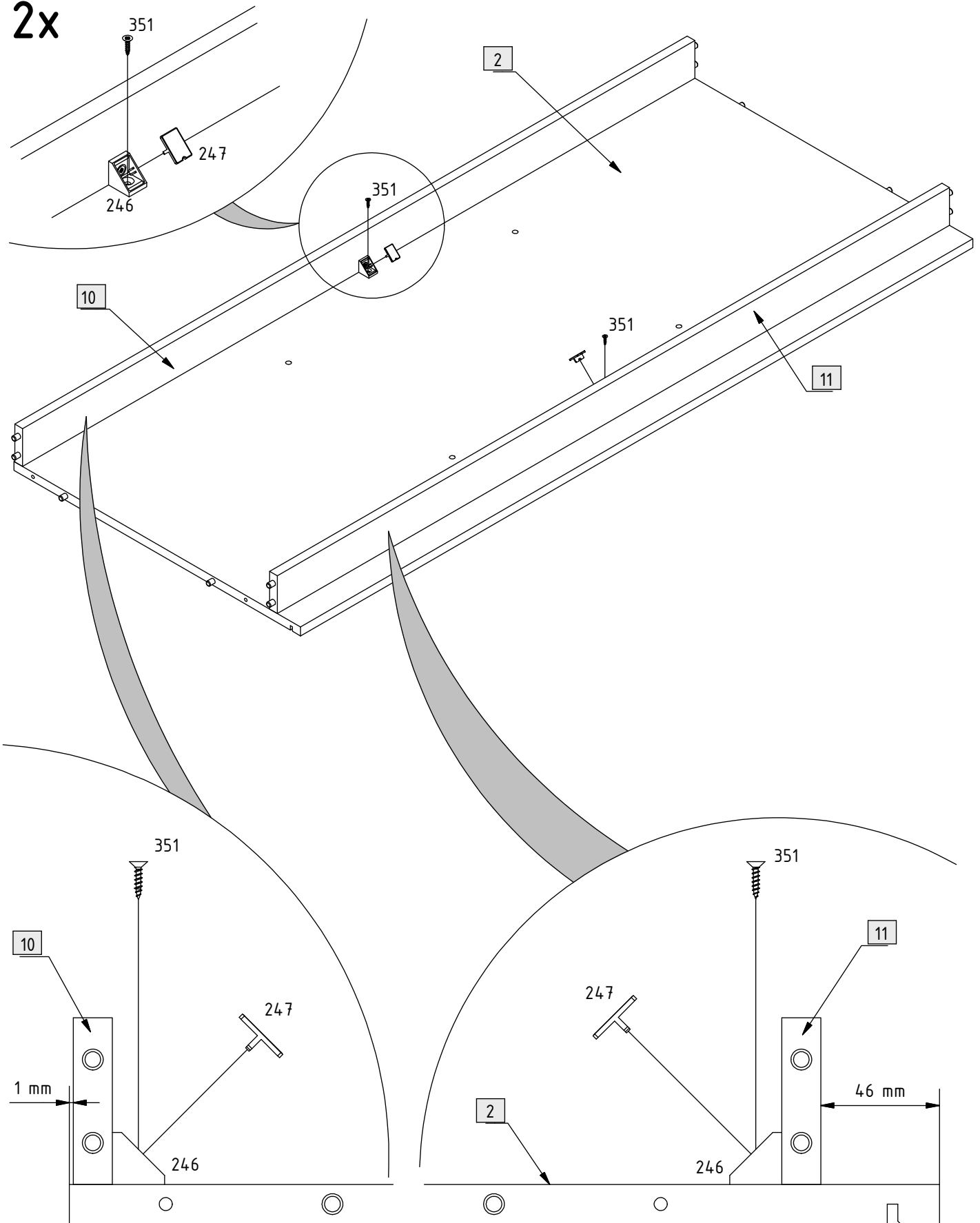


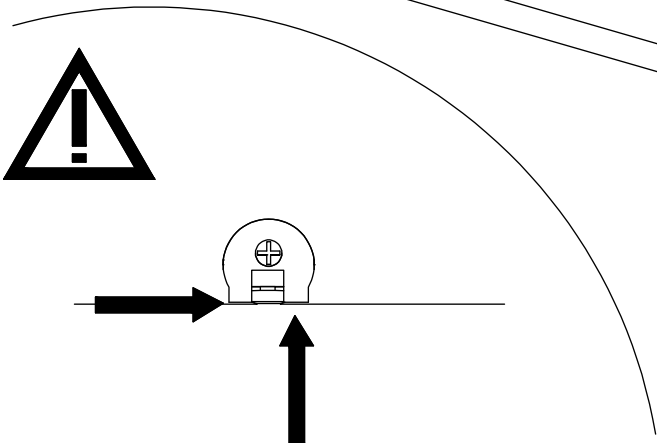
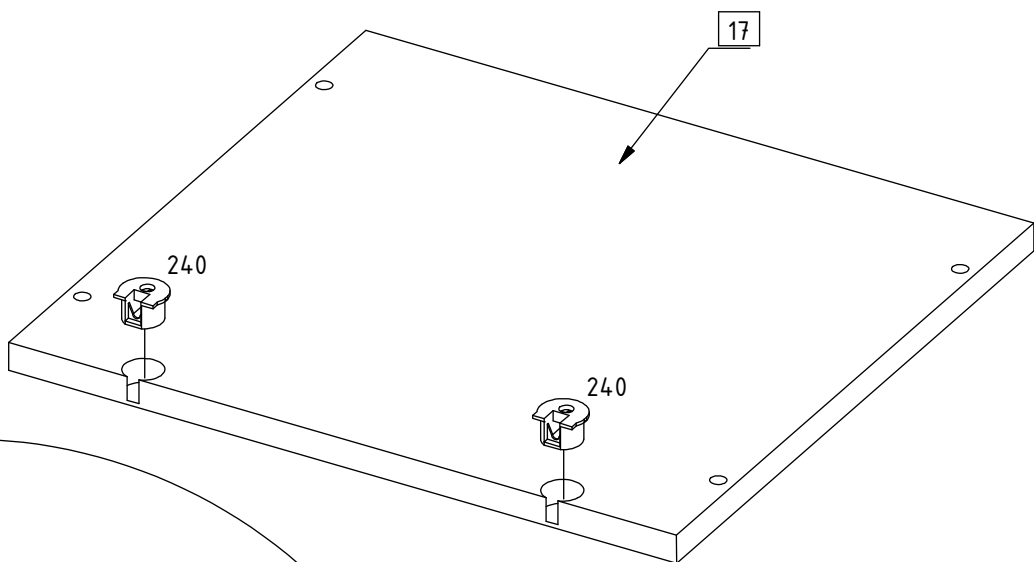
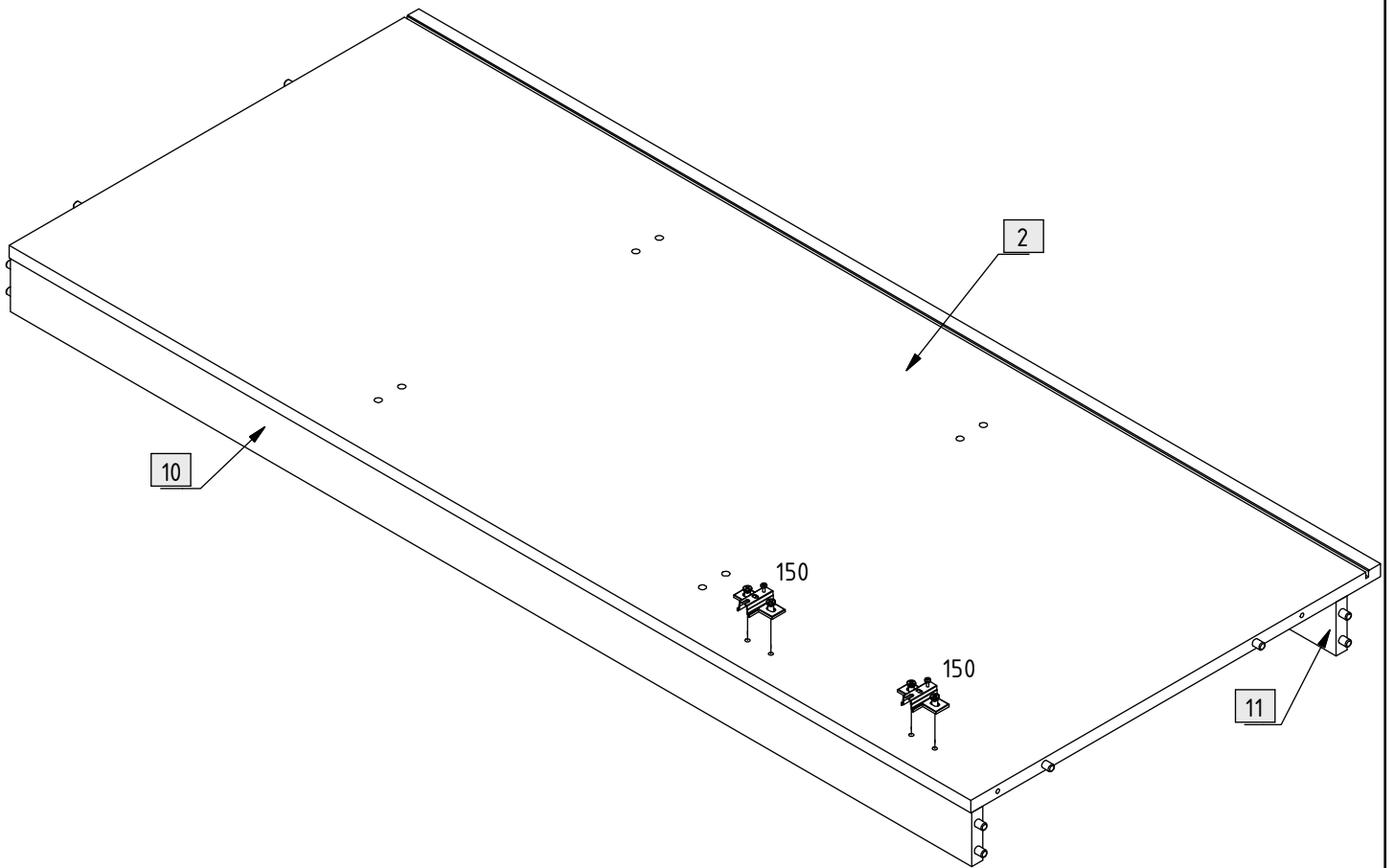


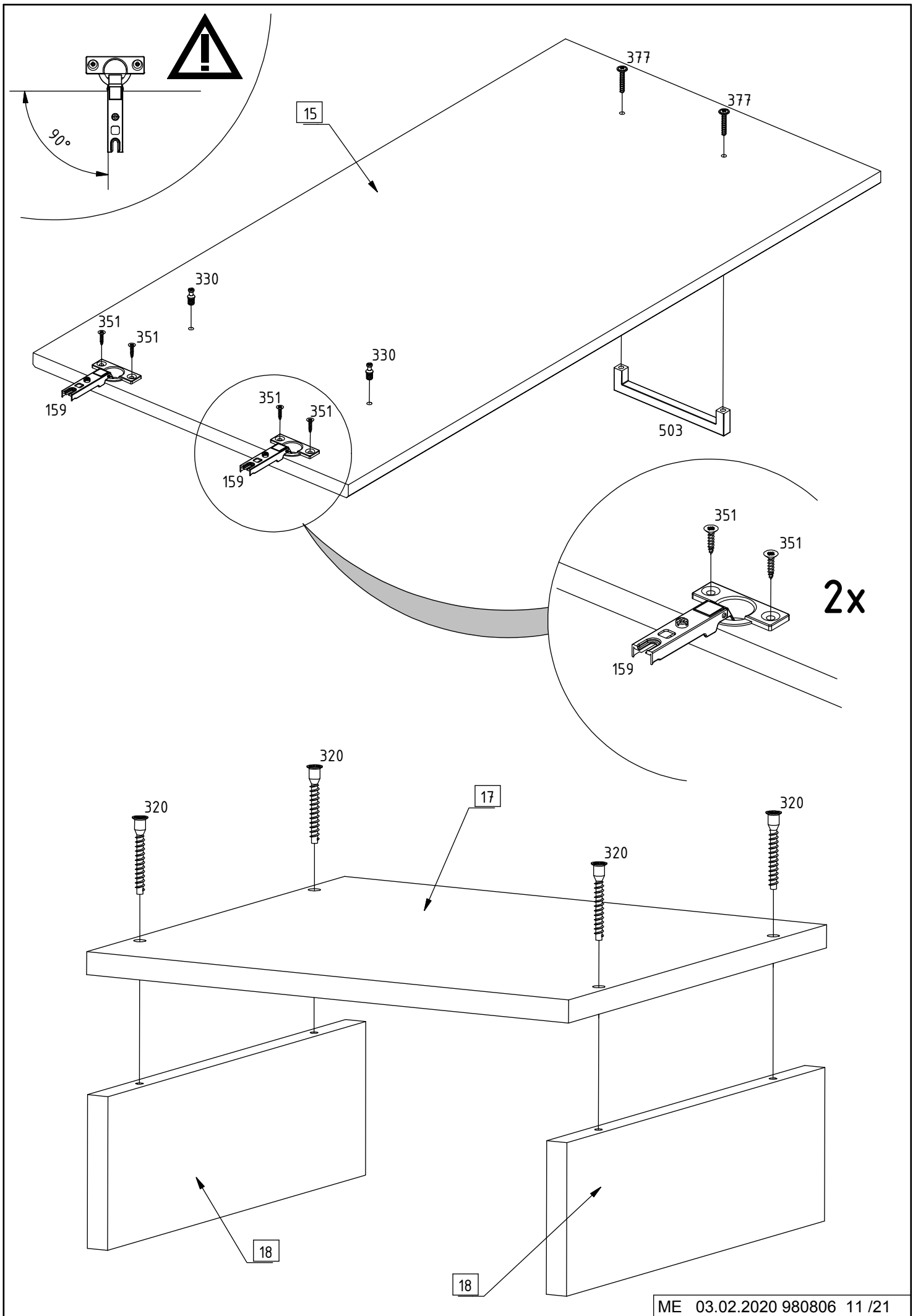
8 x

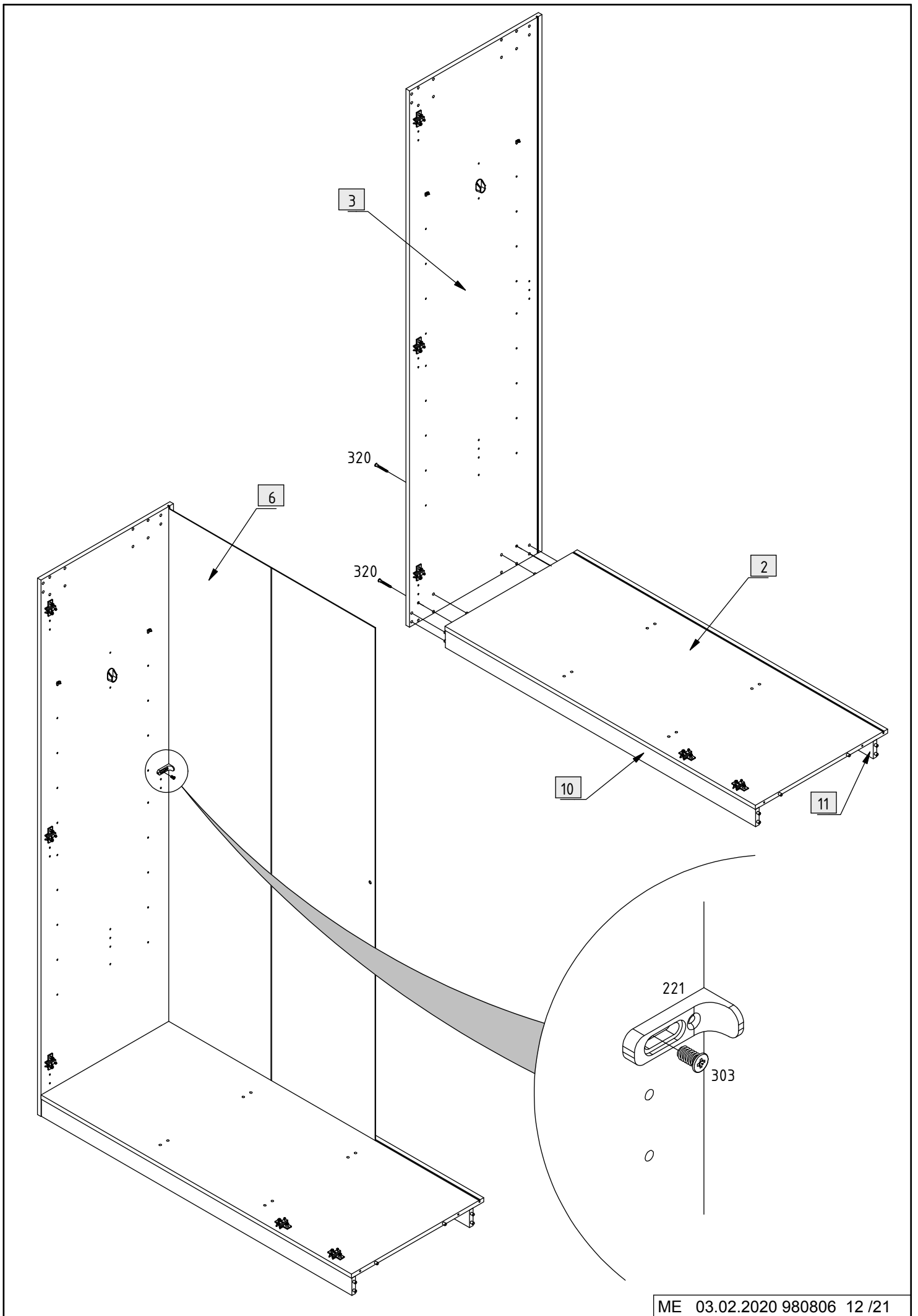


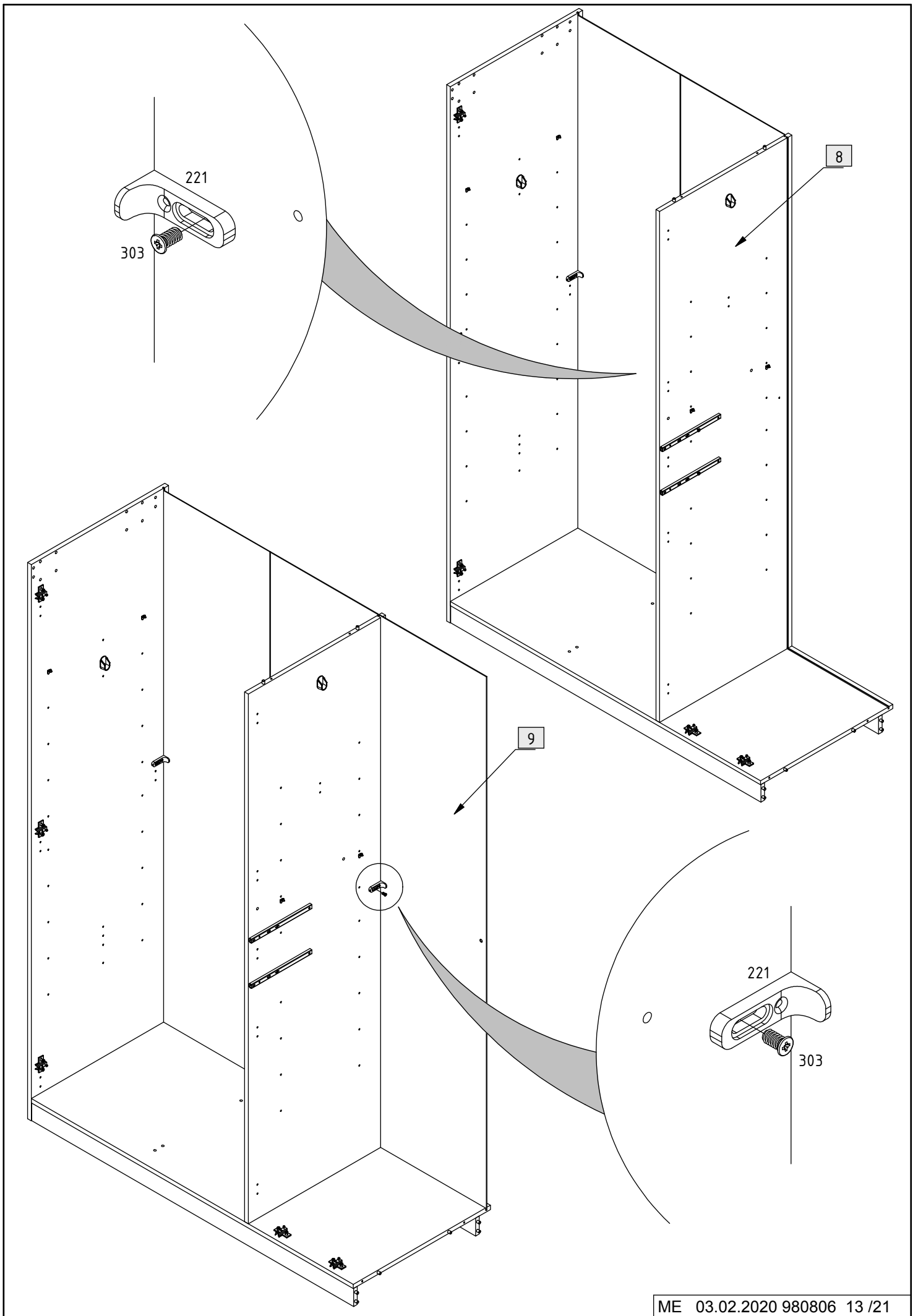
2x

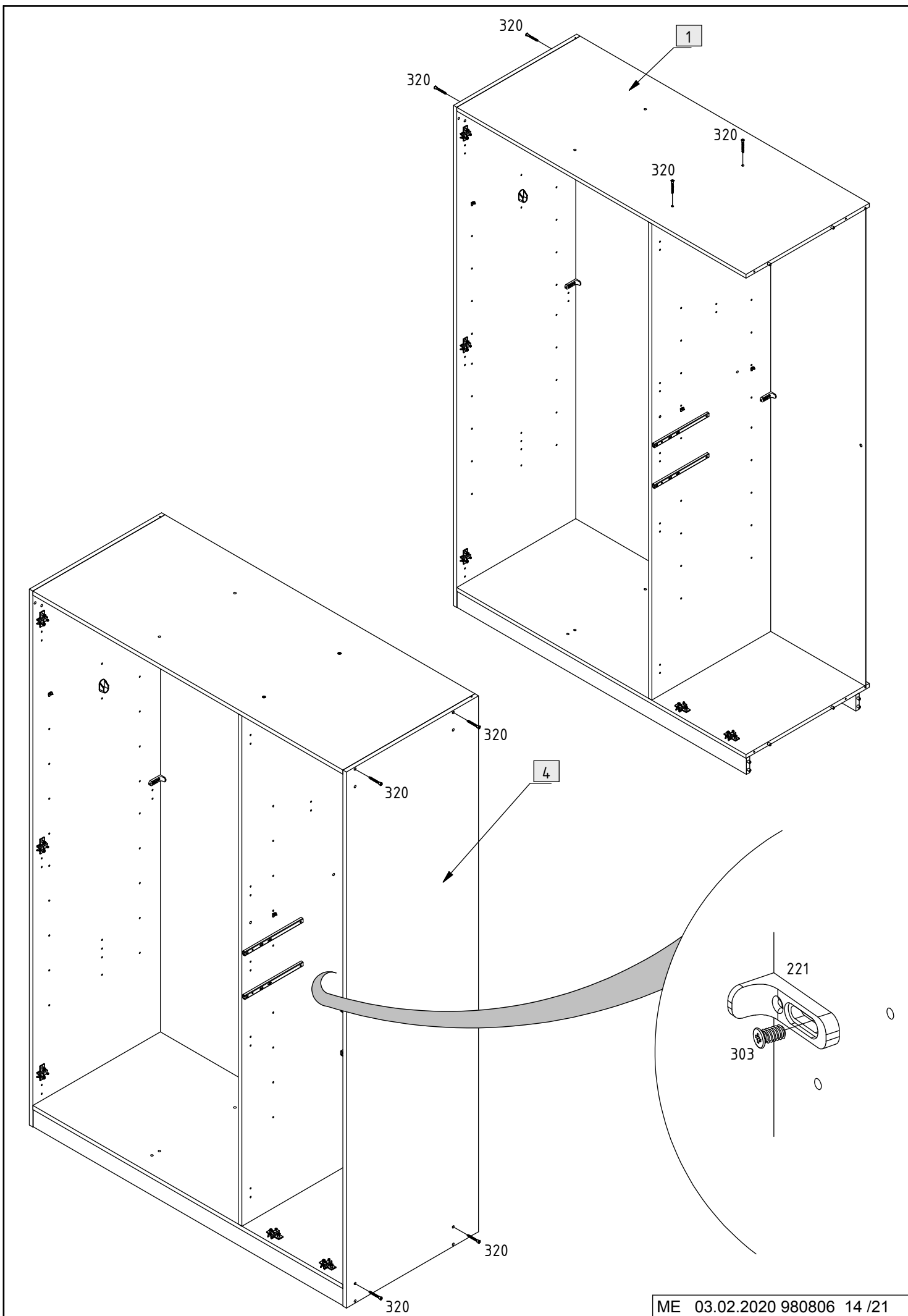




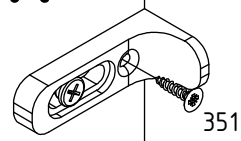




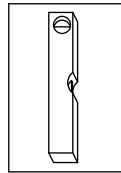
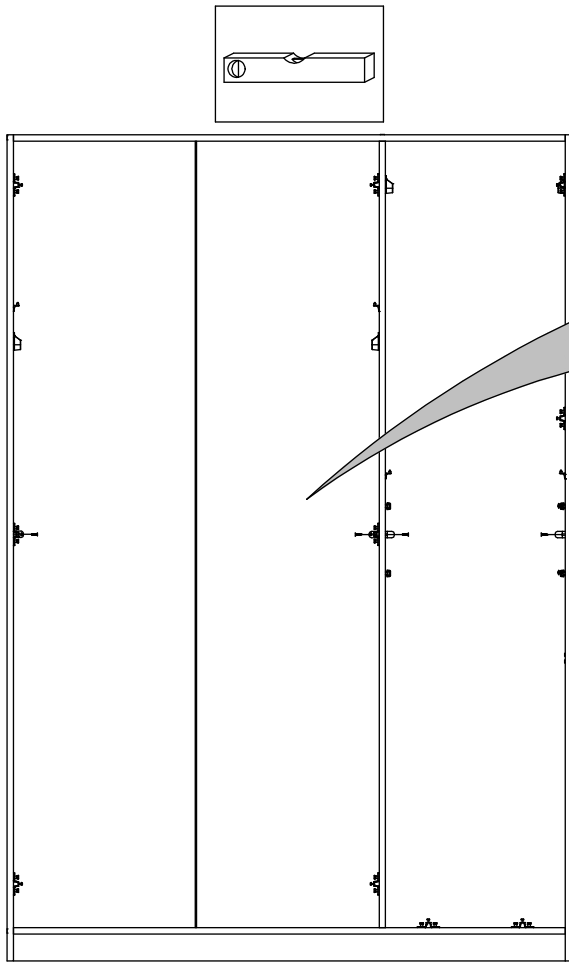




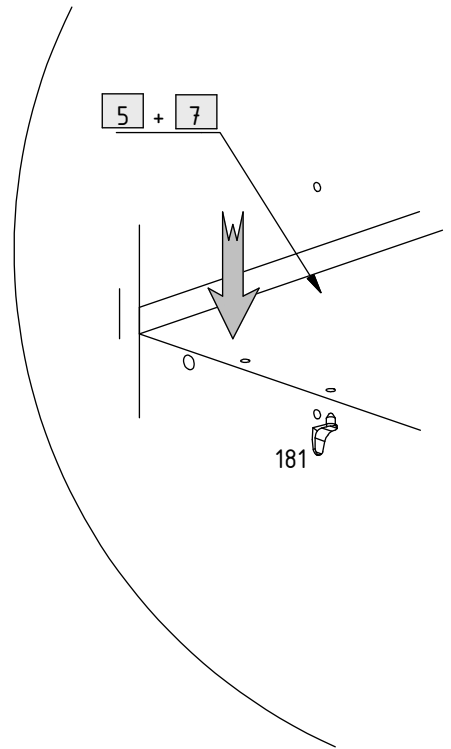
4x



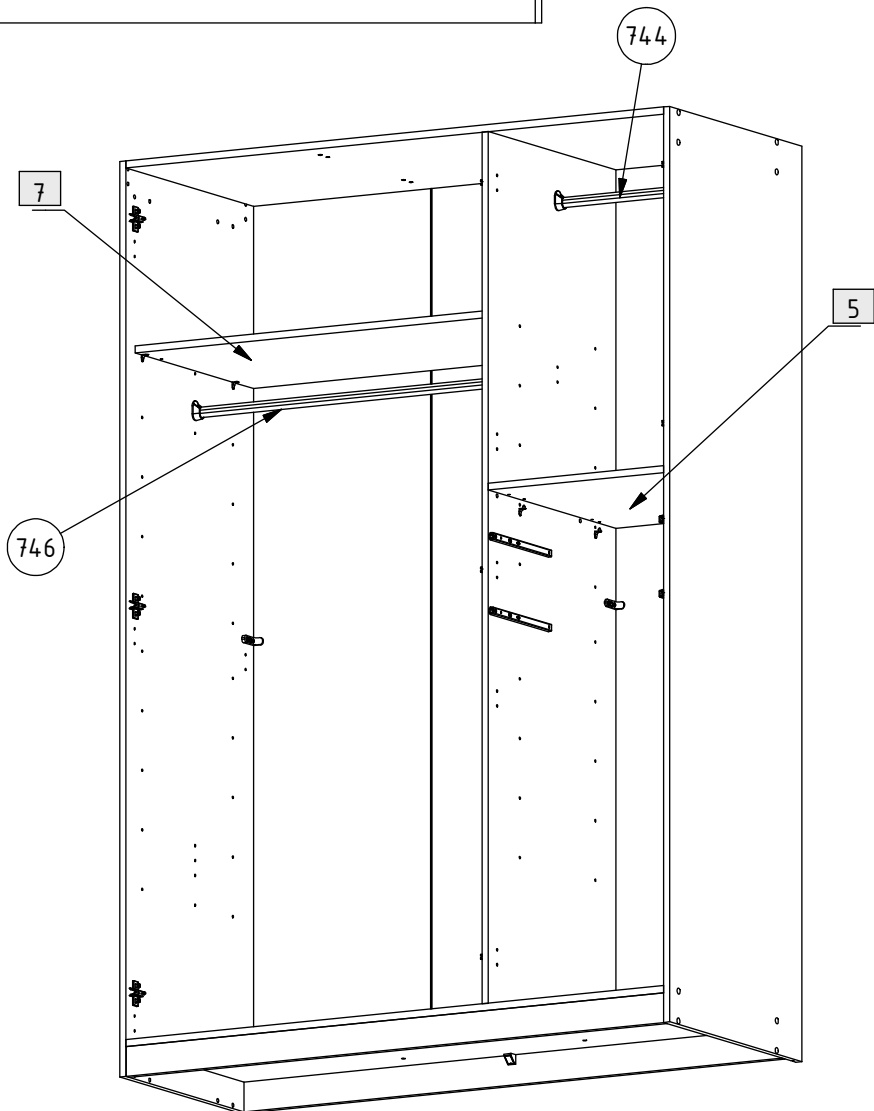
351



5 + 7



181

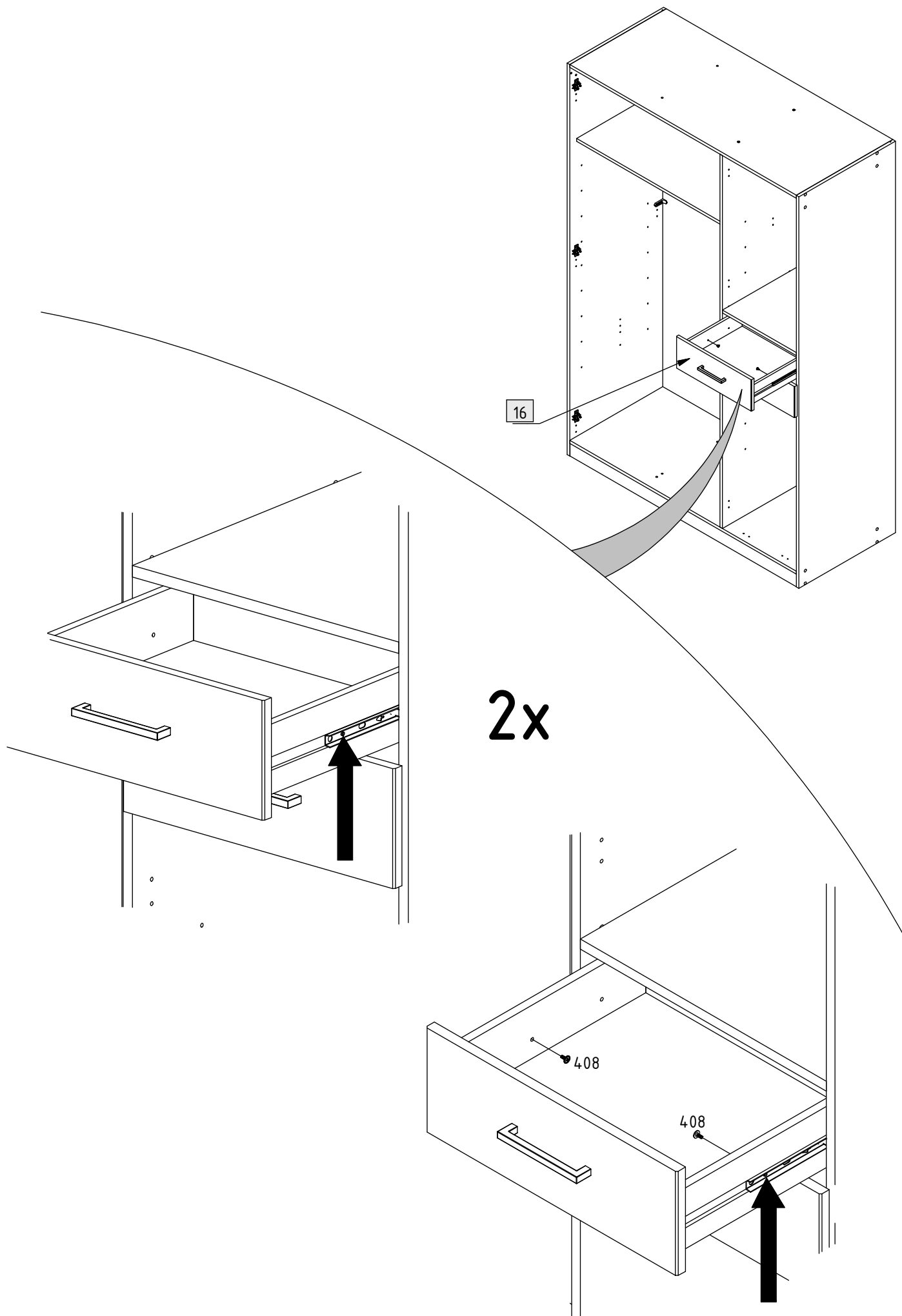


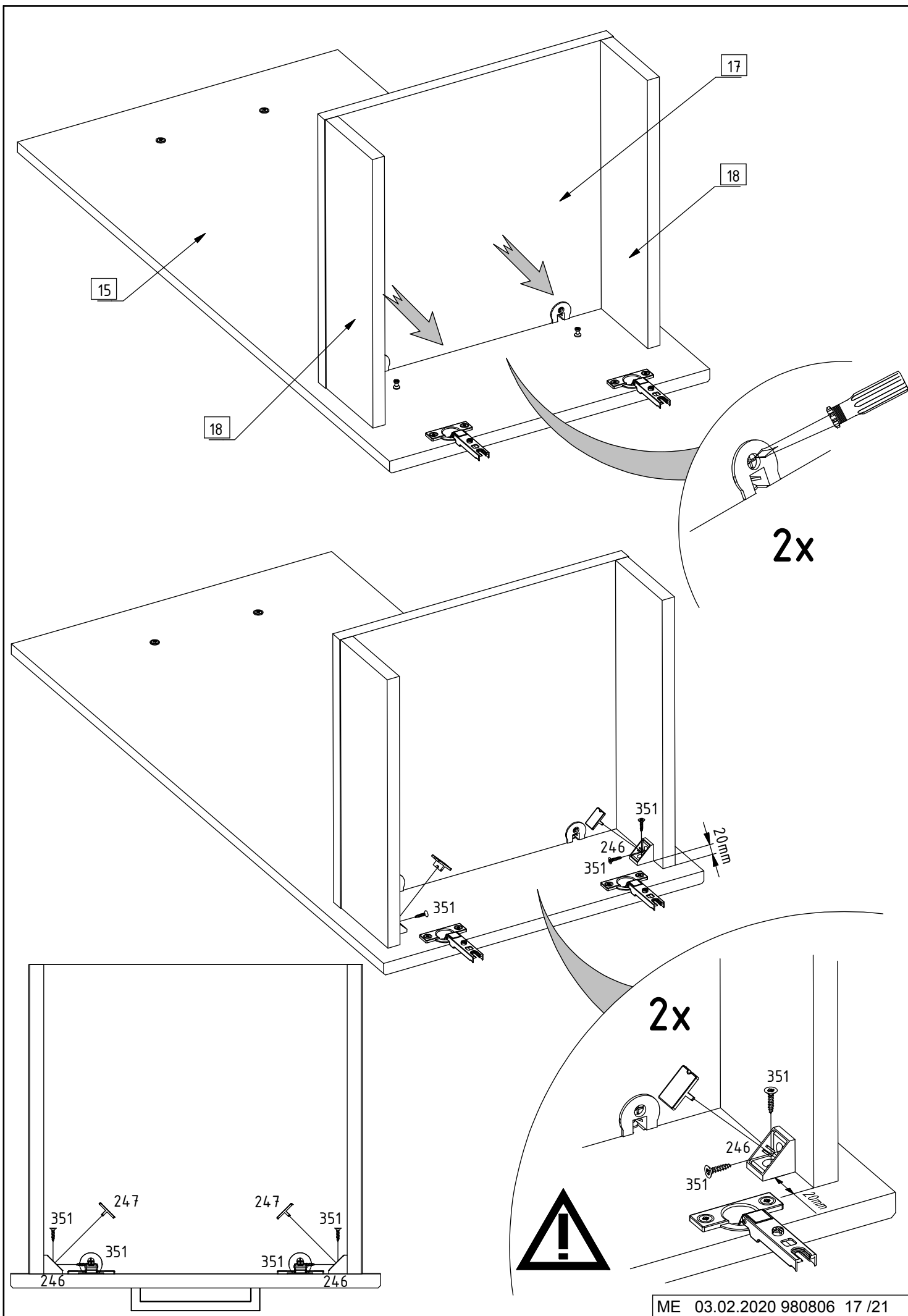
7

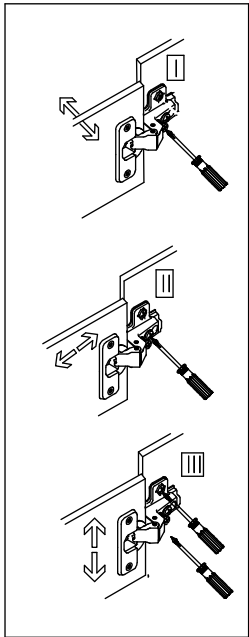
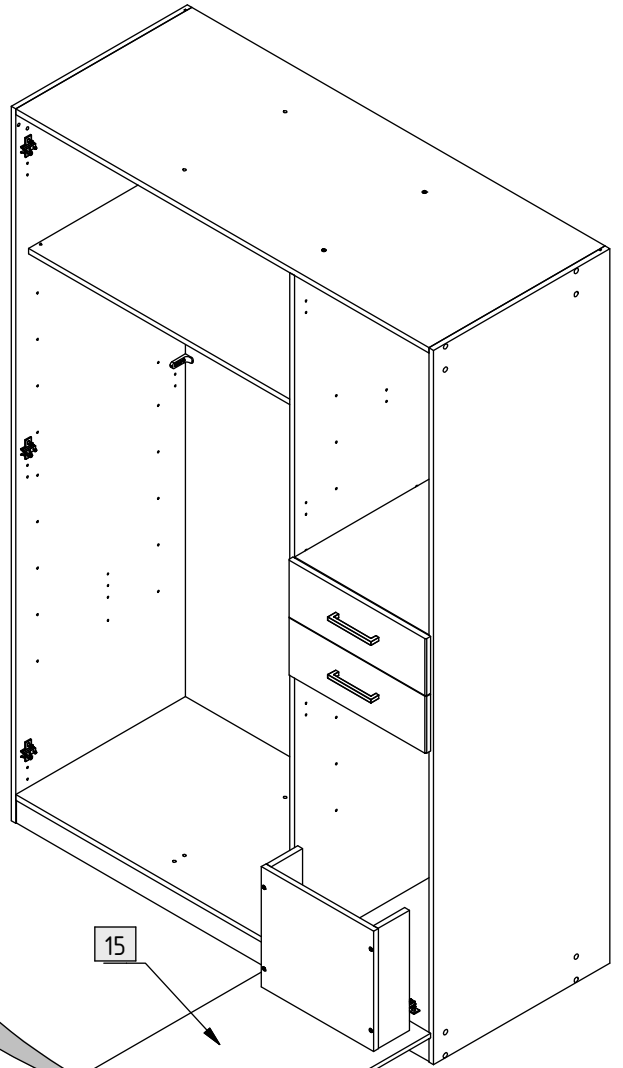
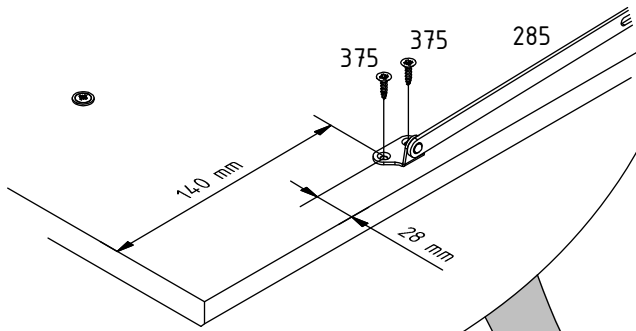
744

5

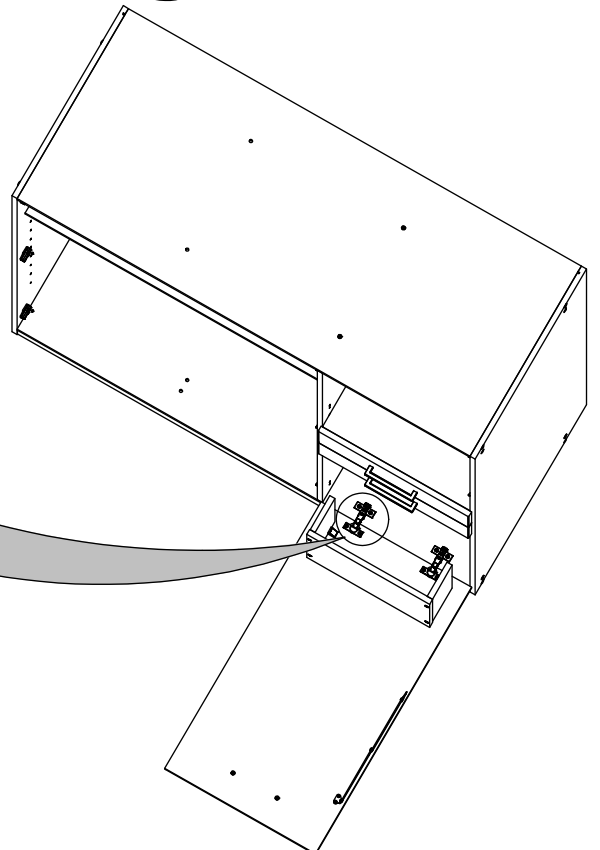
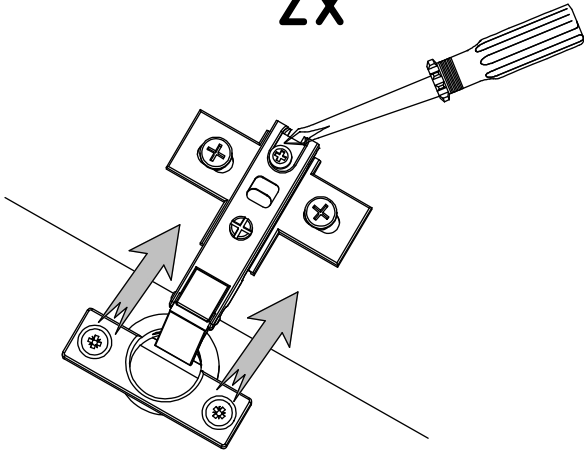
746

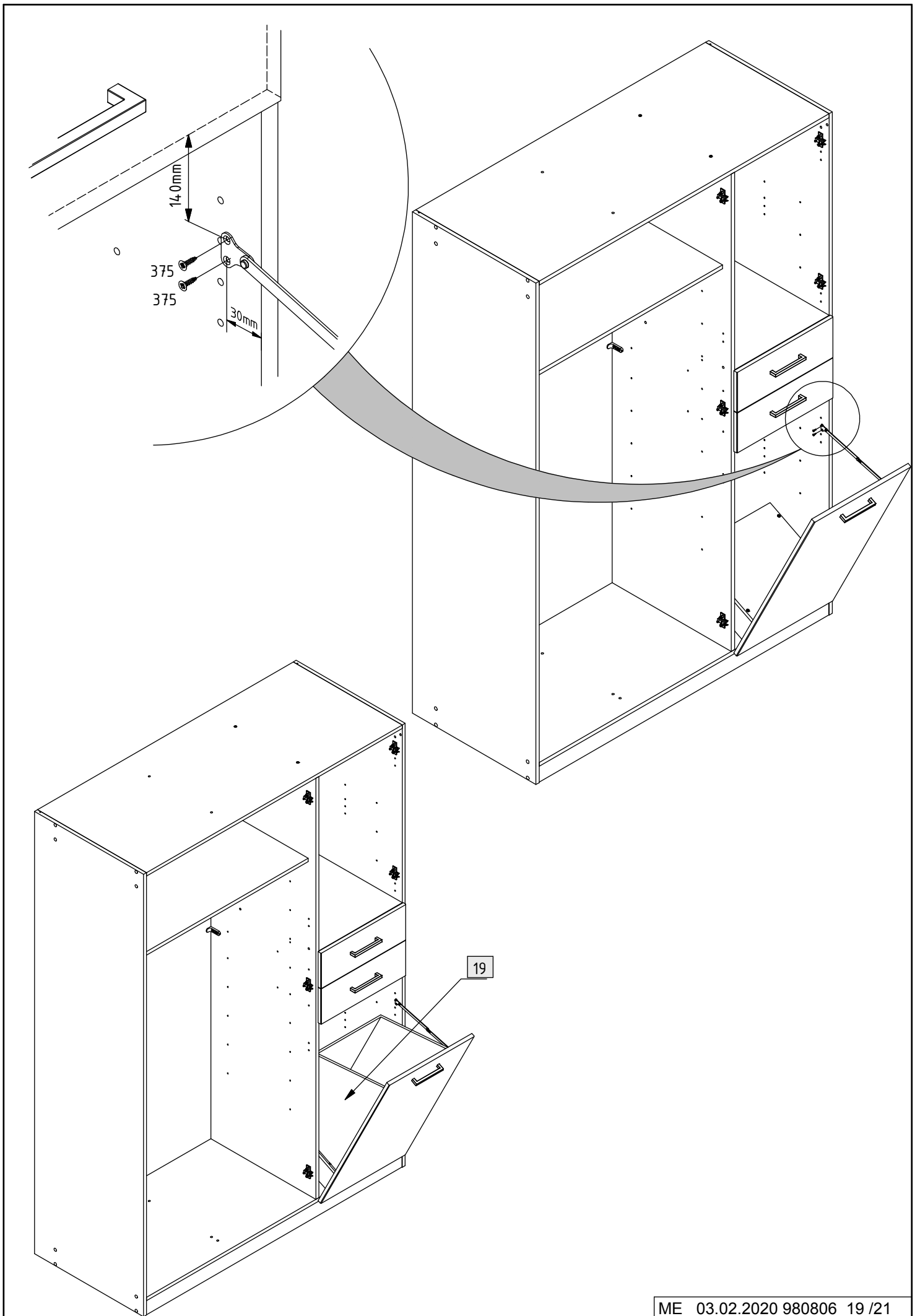


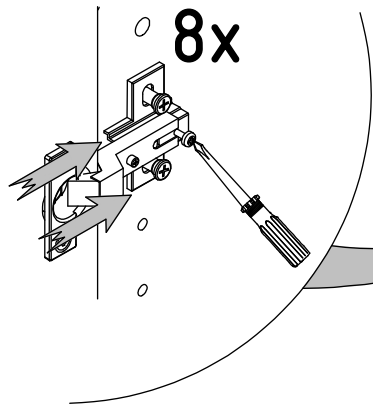




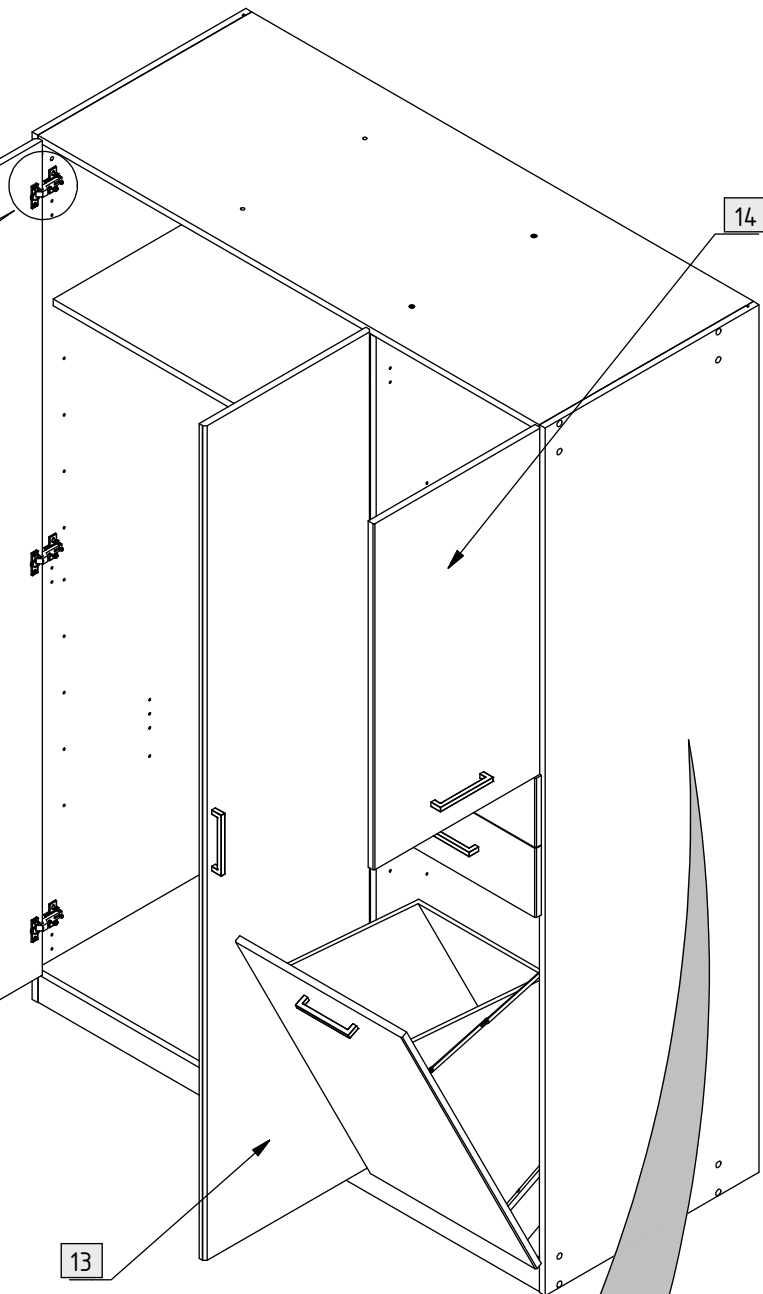
2x





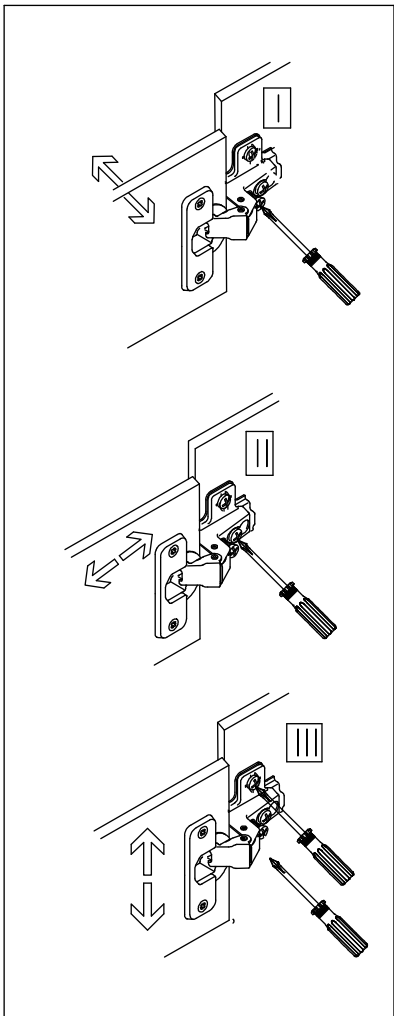


12



14

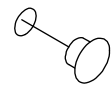
13



8x



102



101

980098

