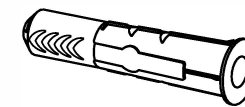
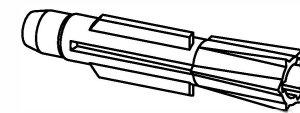
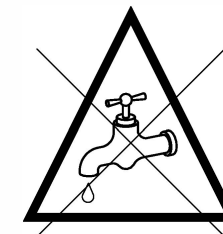
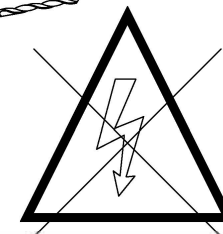
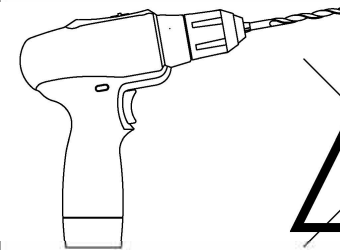
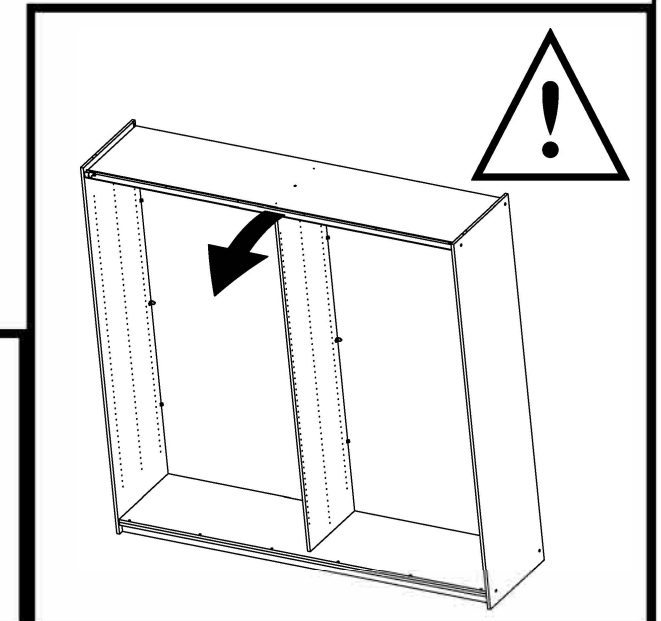
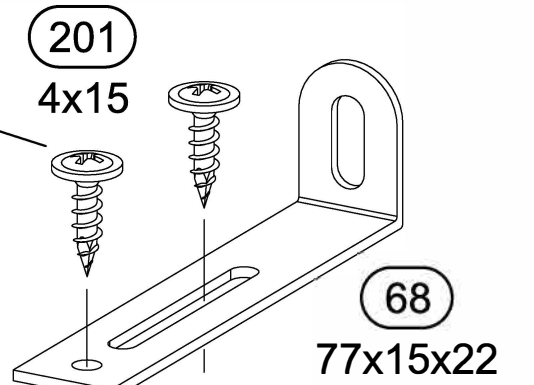
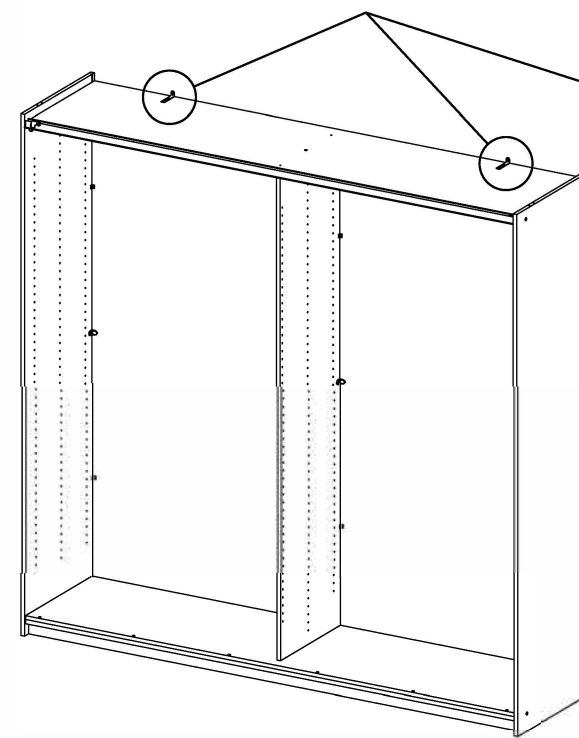
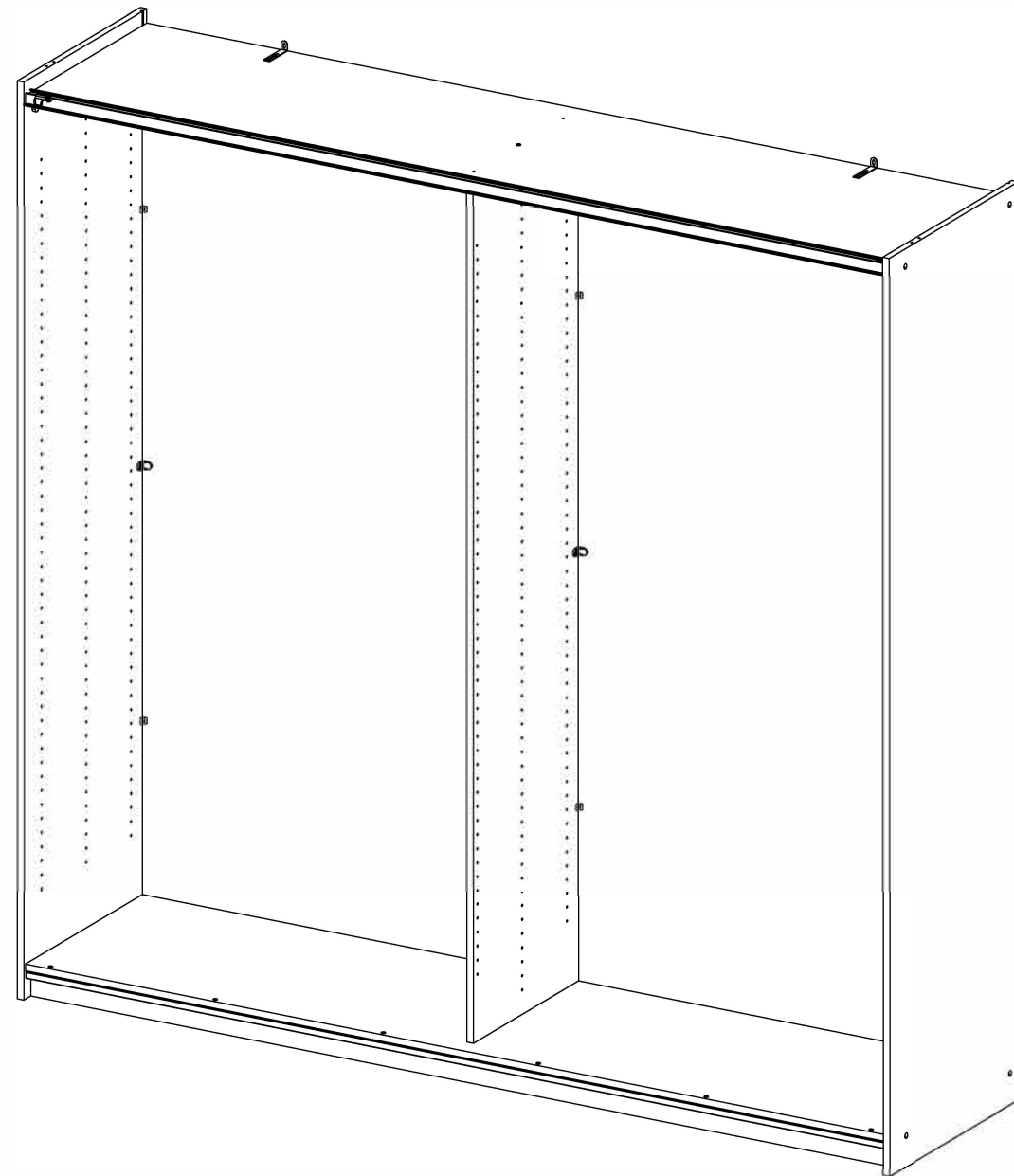
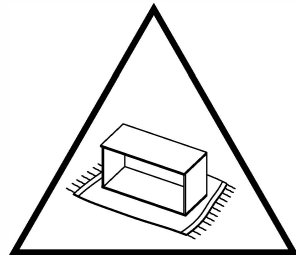
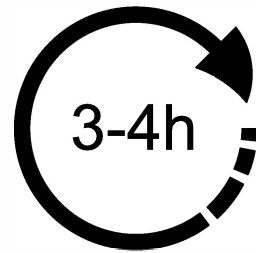
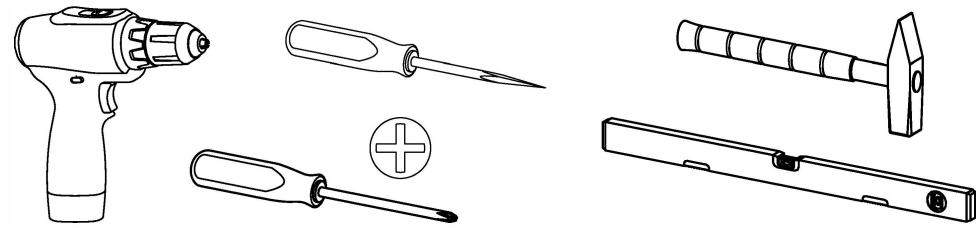
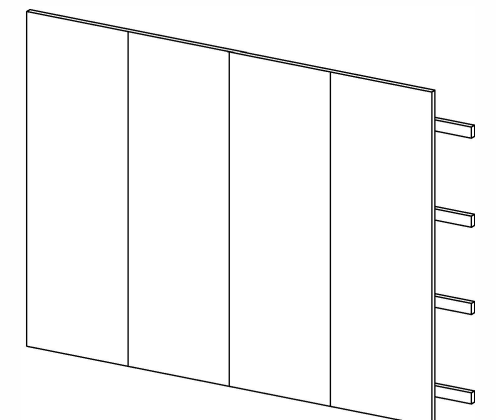
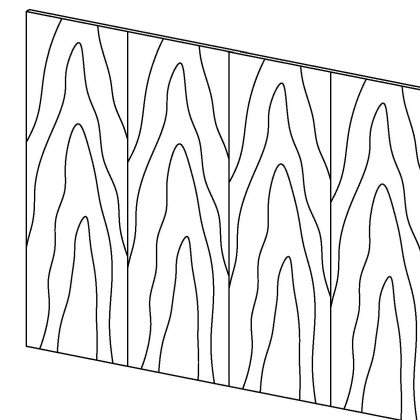
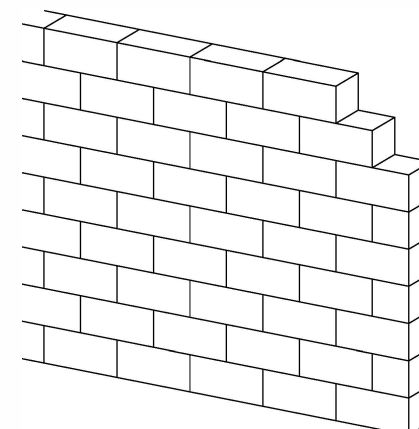
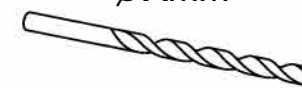
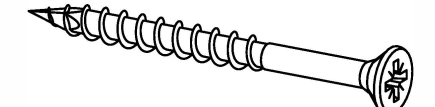
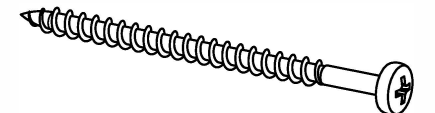
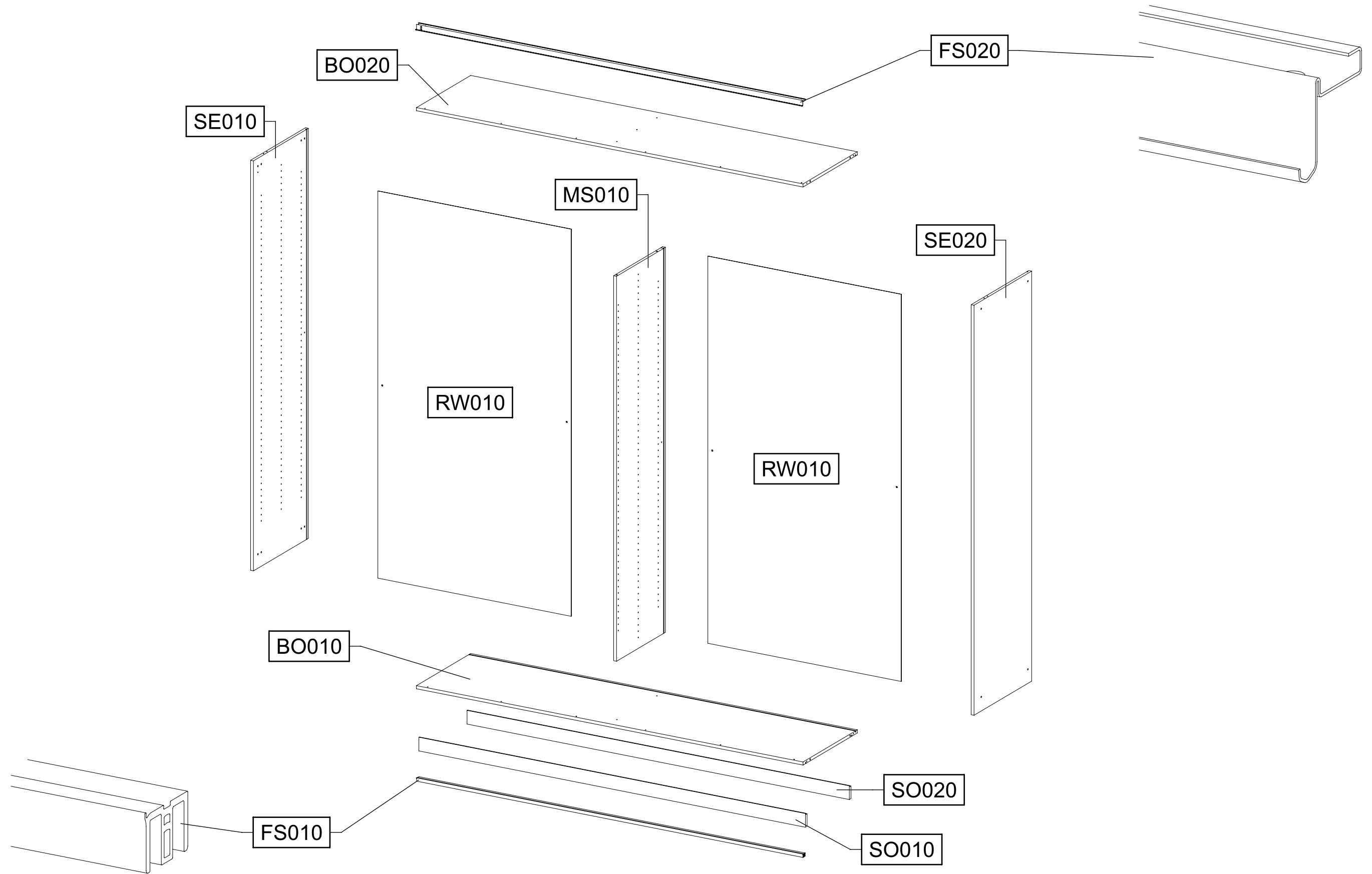


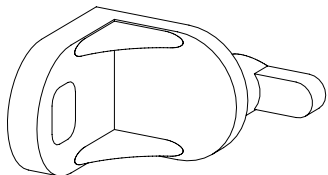
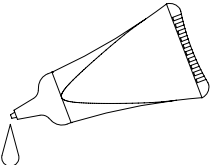
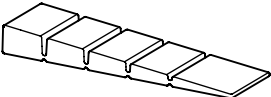

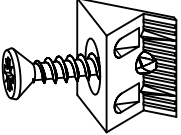
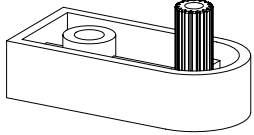
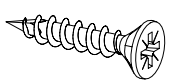
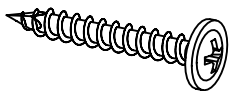

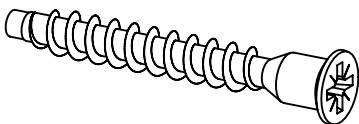

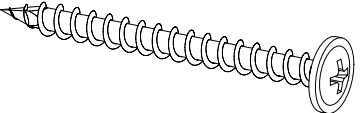
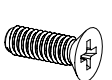
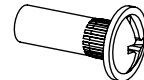
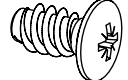
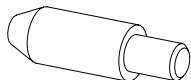
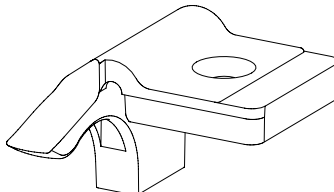
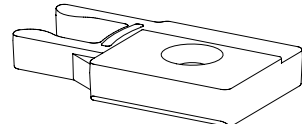
M2663_01

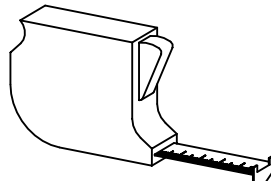
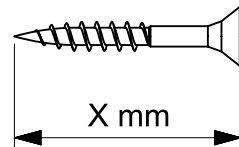
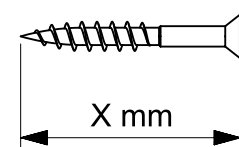
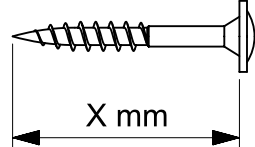


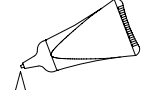
ØXmm

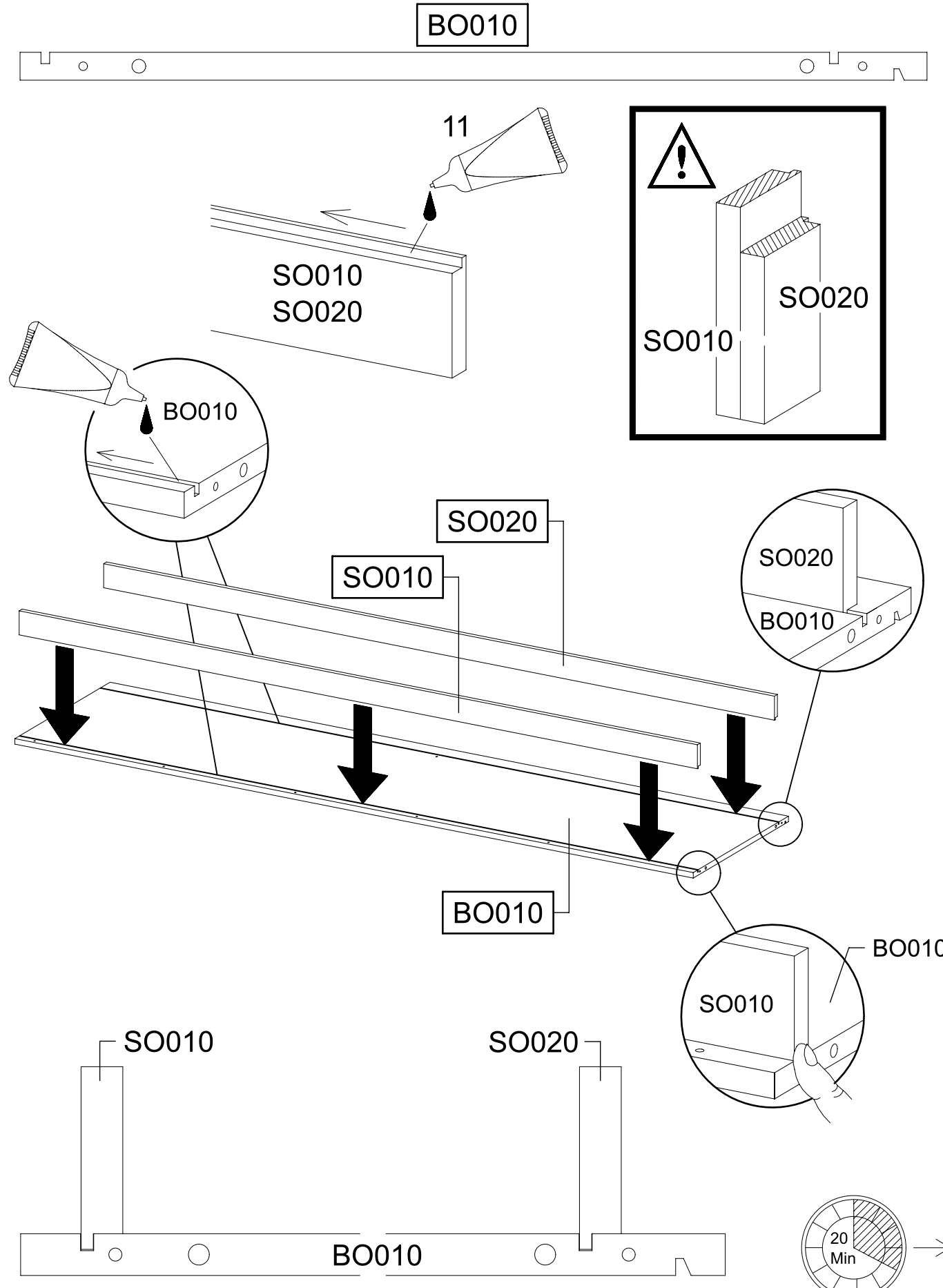


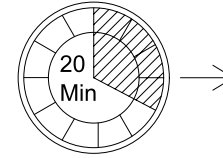


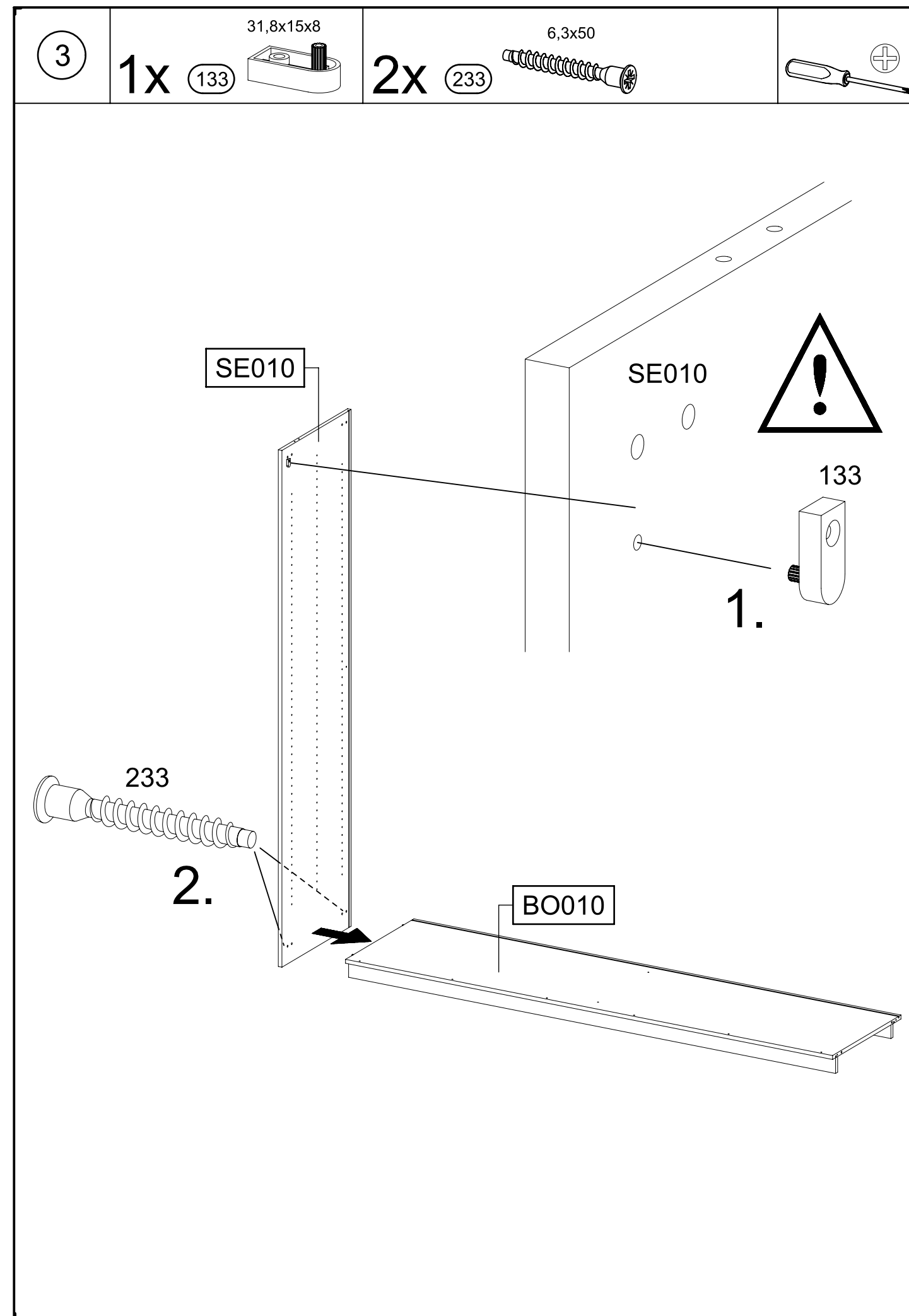
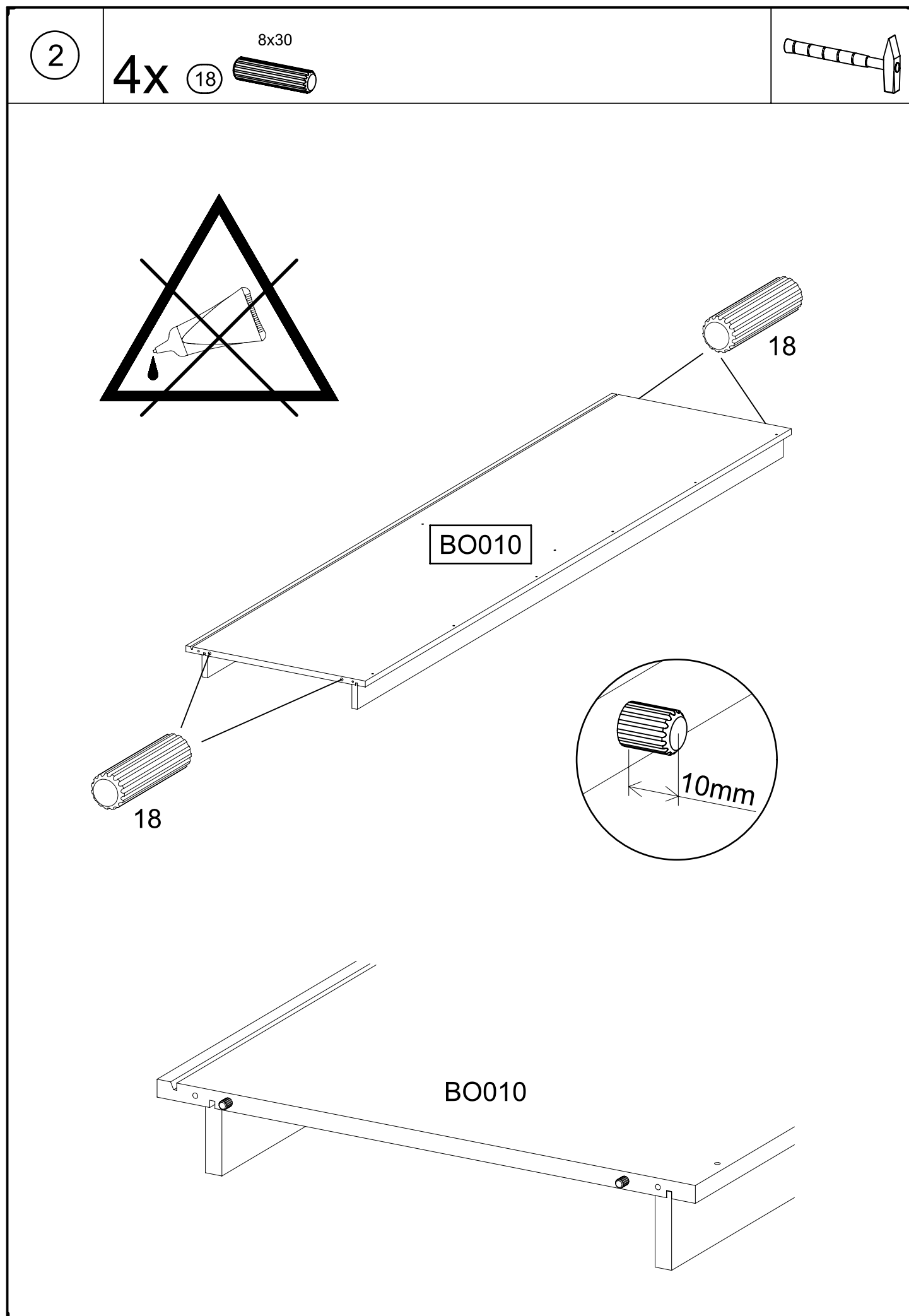
4x 1 	11 	2x 12 55x16x6,2 	
8x 18 8x30 	8x 45 	2x 133 31,8x15x8 	
2x 260 4,0x22 	6x 203 4x30 	4x 227 6x10,5 	
8x 233 6,3x50 	8x 271 	1x 296 4,5x50 	
2x 444 M4x12 	2x 580 M4 	4x 779 6,5x12 	4x 807 
1x 957 	1x 958 		

1
11 



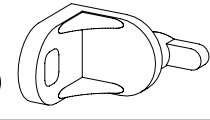




4

1x

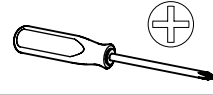
1



1x

779

6,5x12



1.

SE010

RW010

1

2.

1

RW010

779

SE010

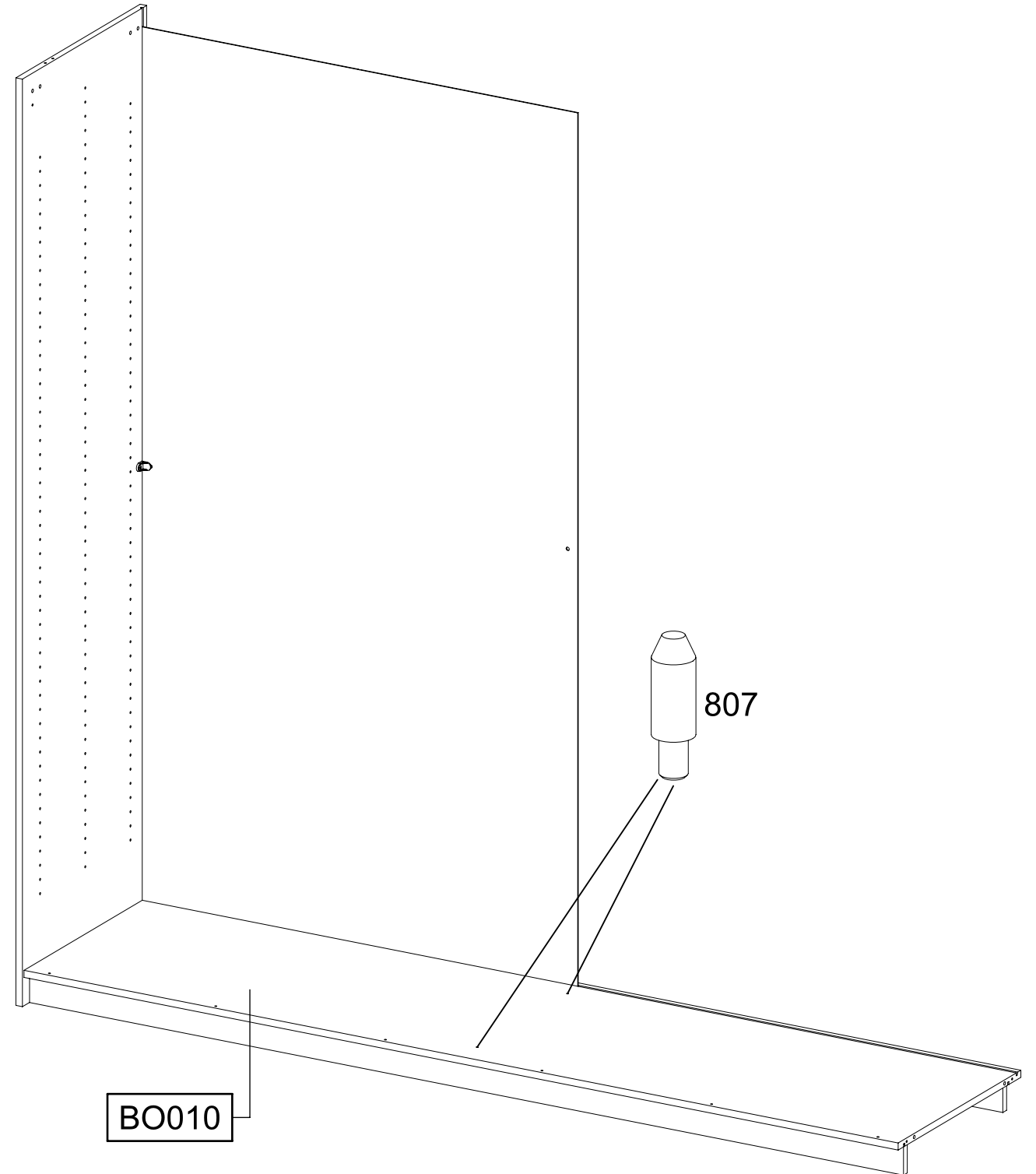
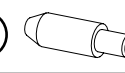
RW010

SE010

5

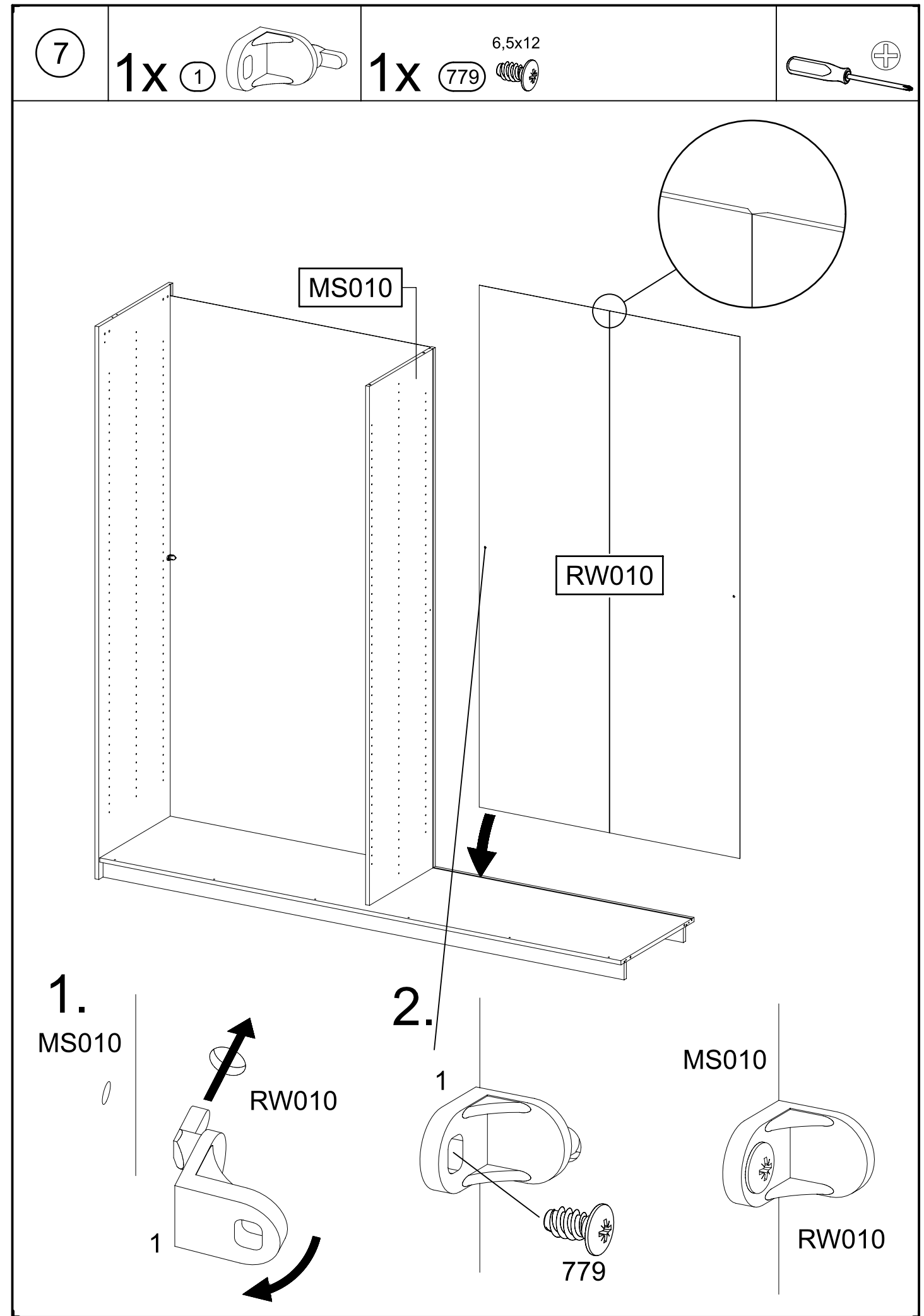
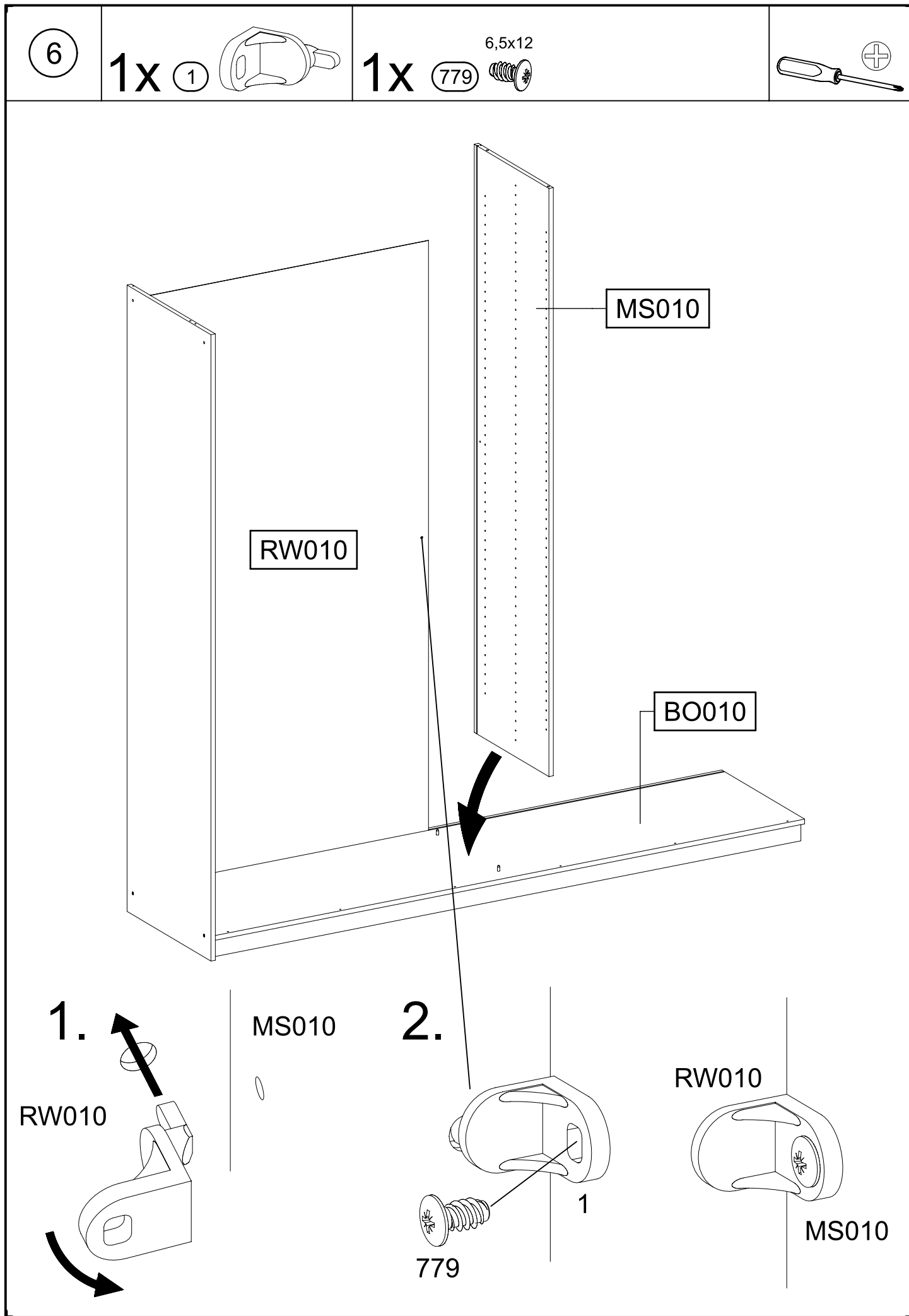
2x

807



BO010

807

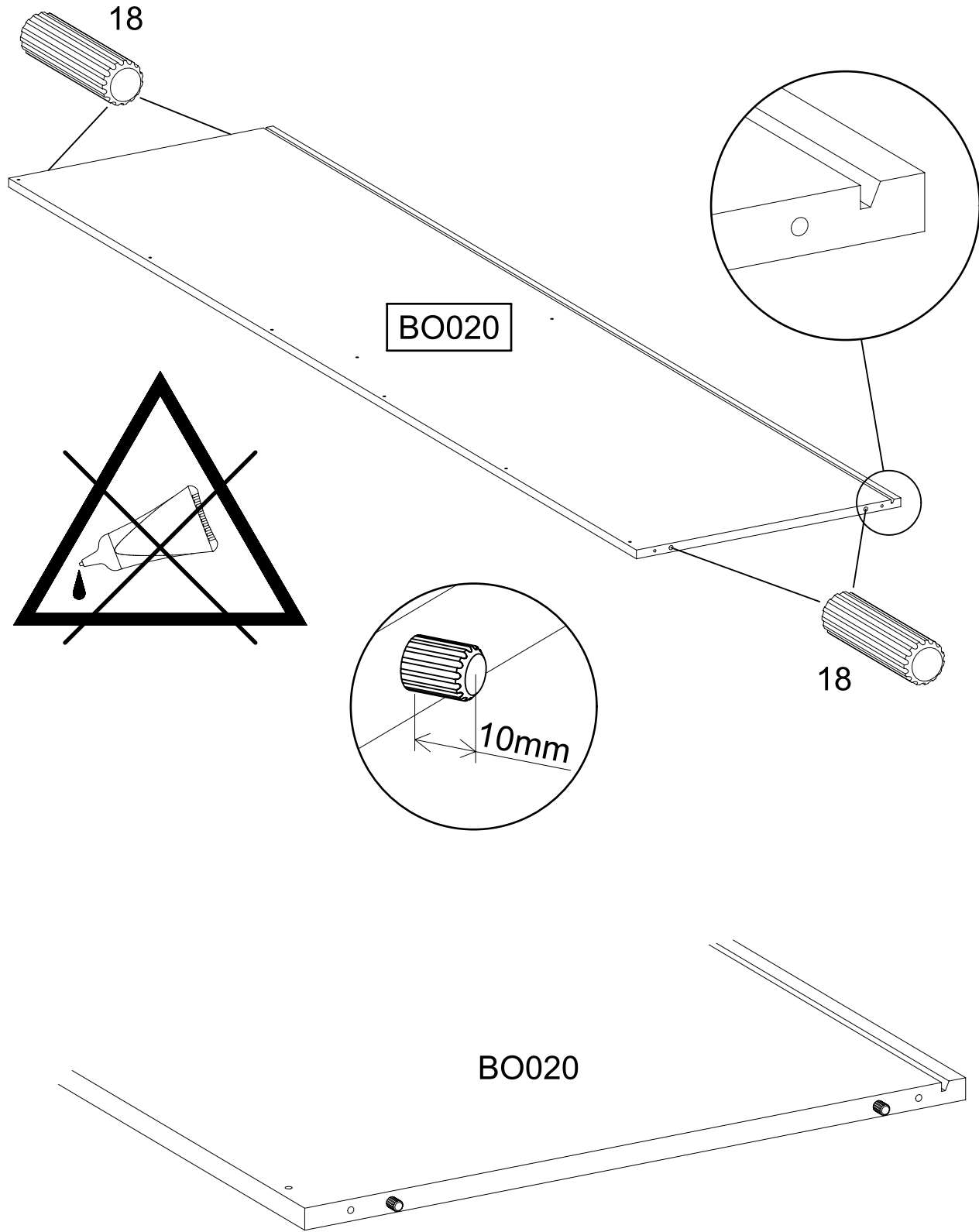
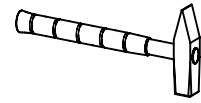


8

4x

18

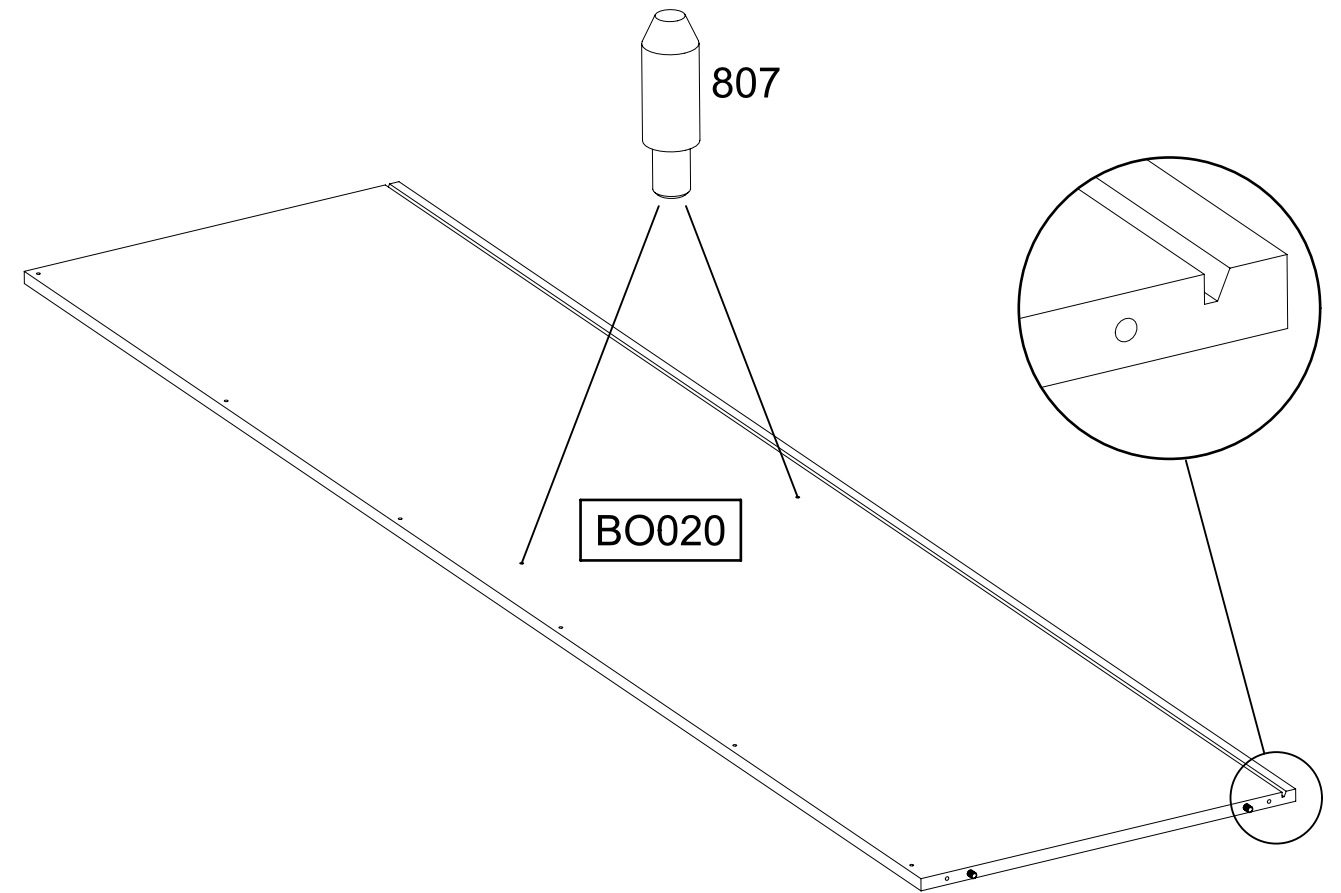
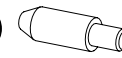
8x30

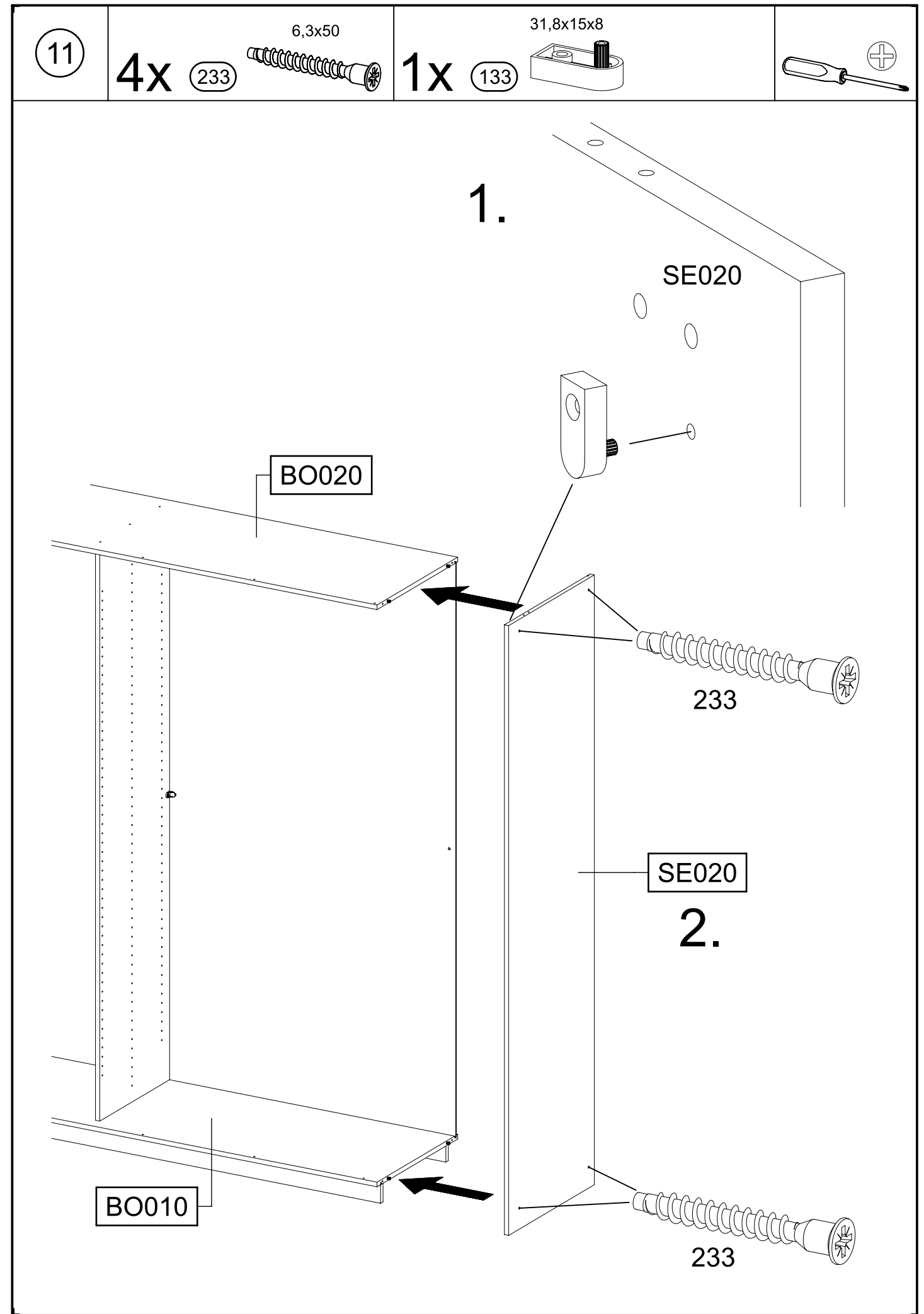
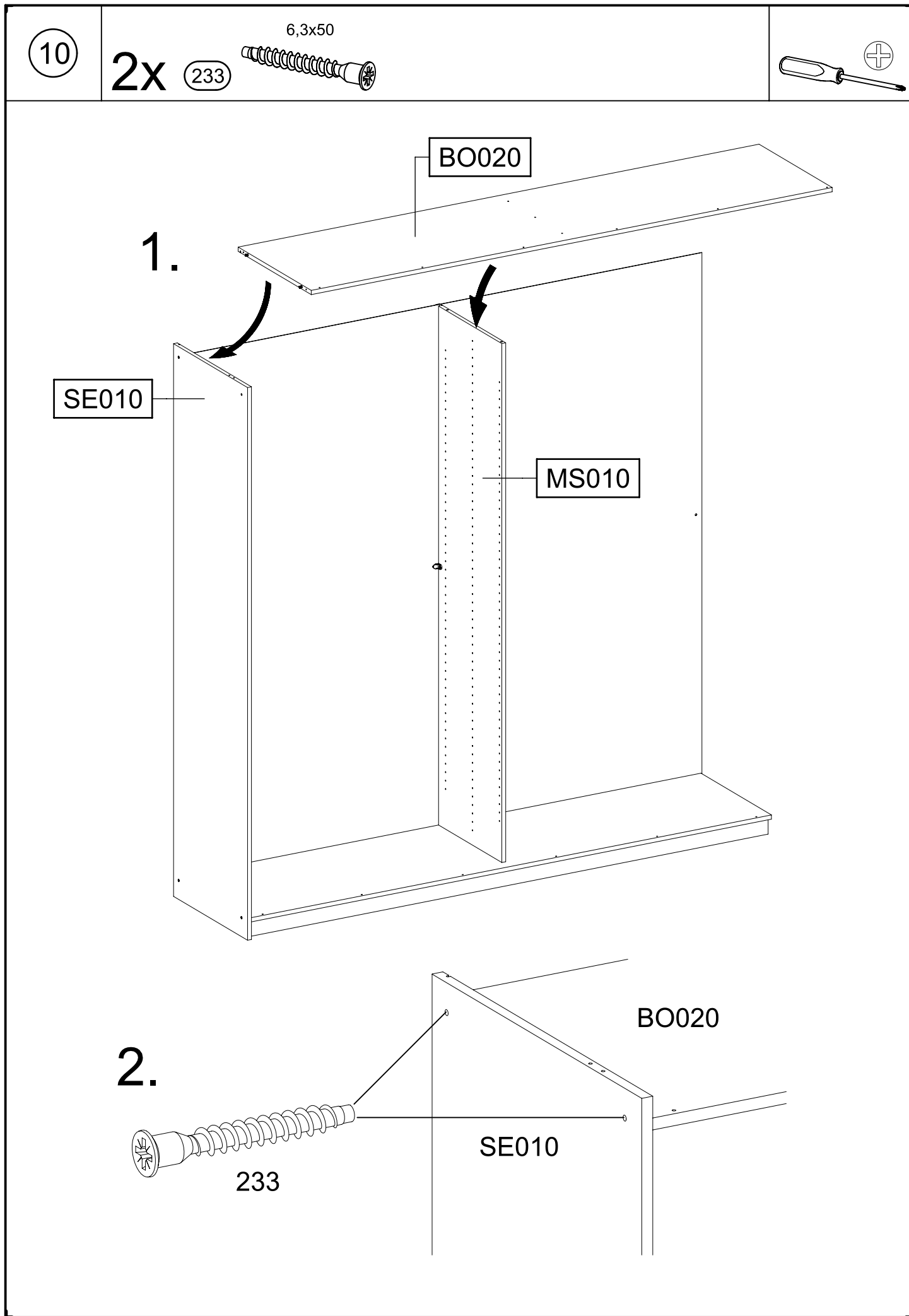


9

2x

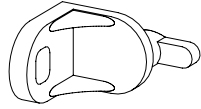
807





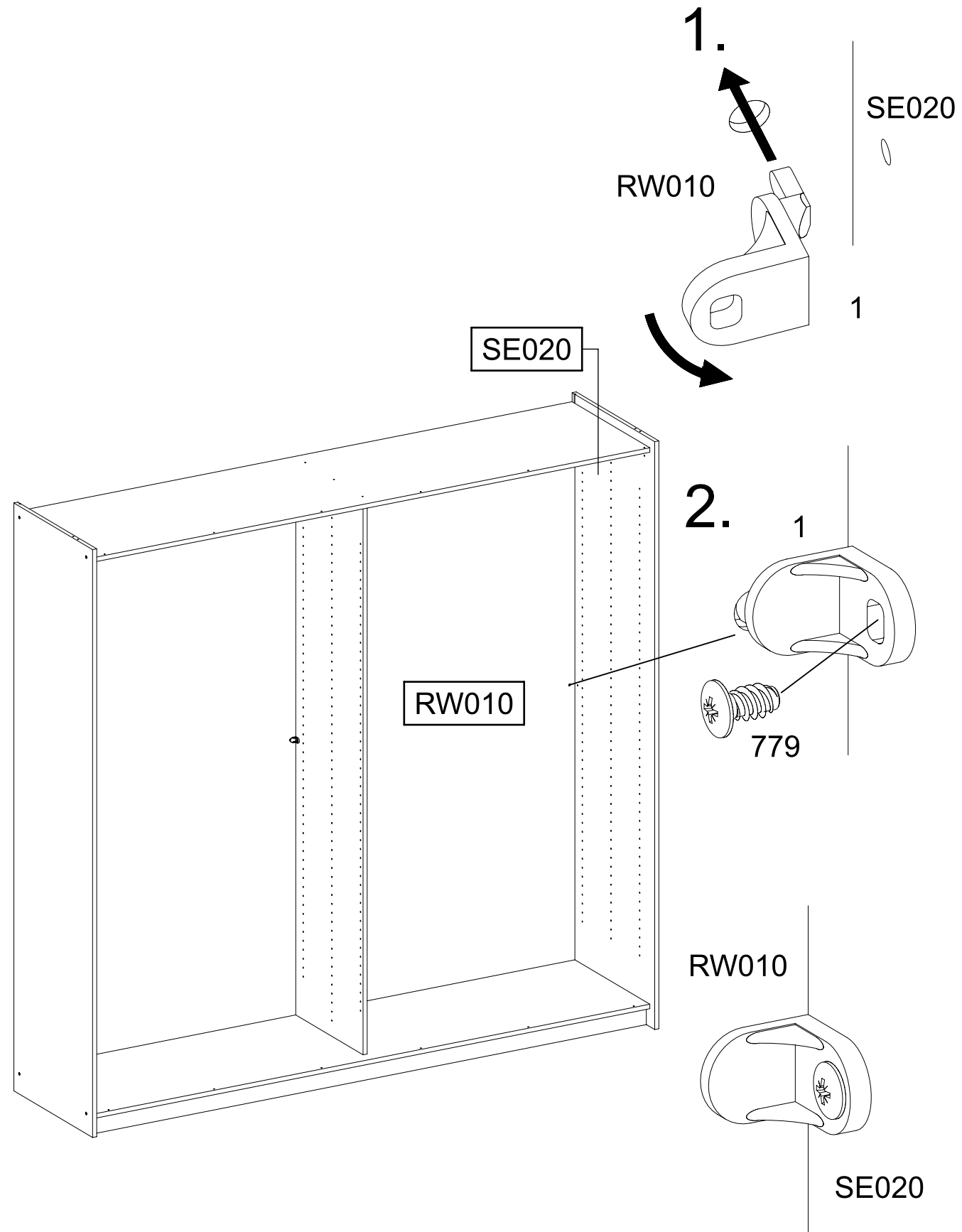
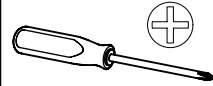
12

1x 1



1x 779

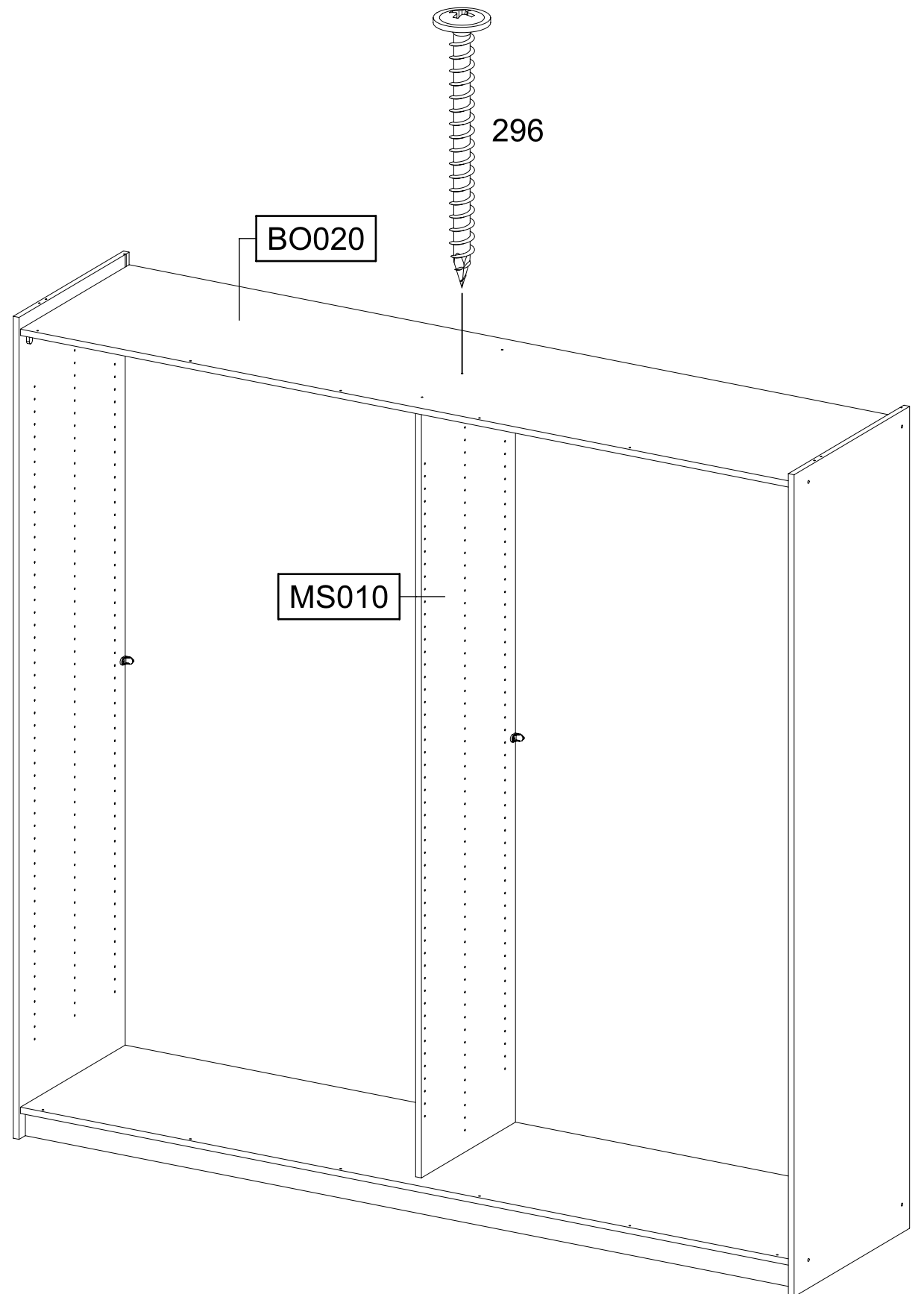
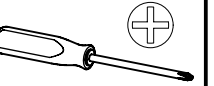
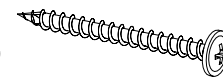
6,5x12



13

1x 296

4,5x50

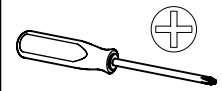
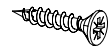


14

2x

260

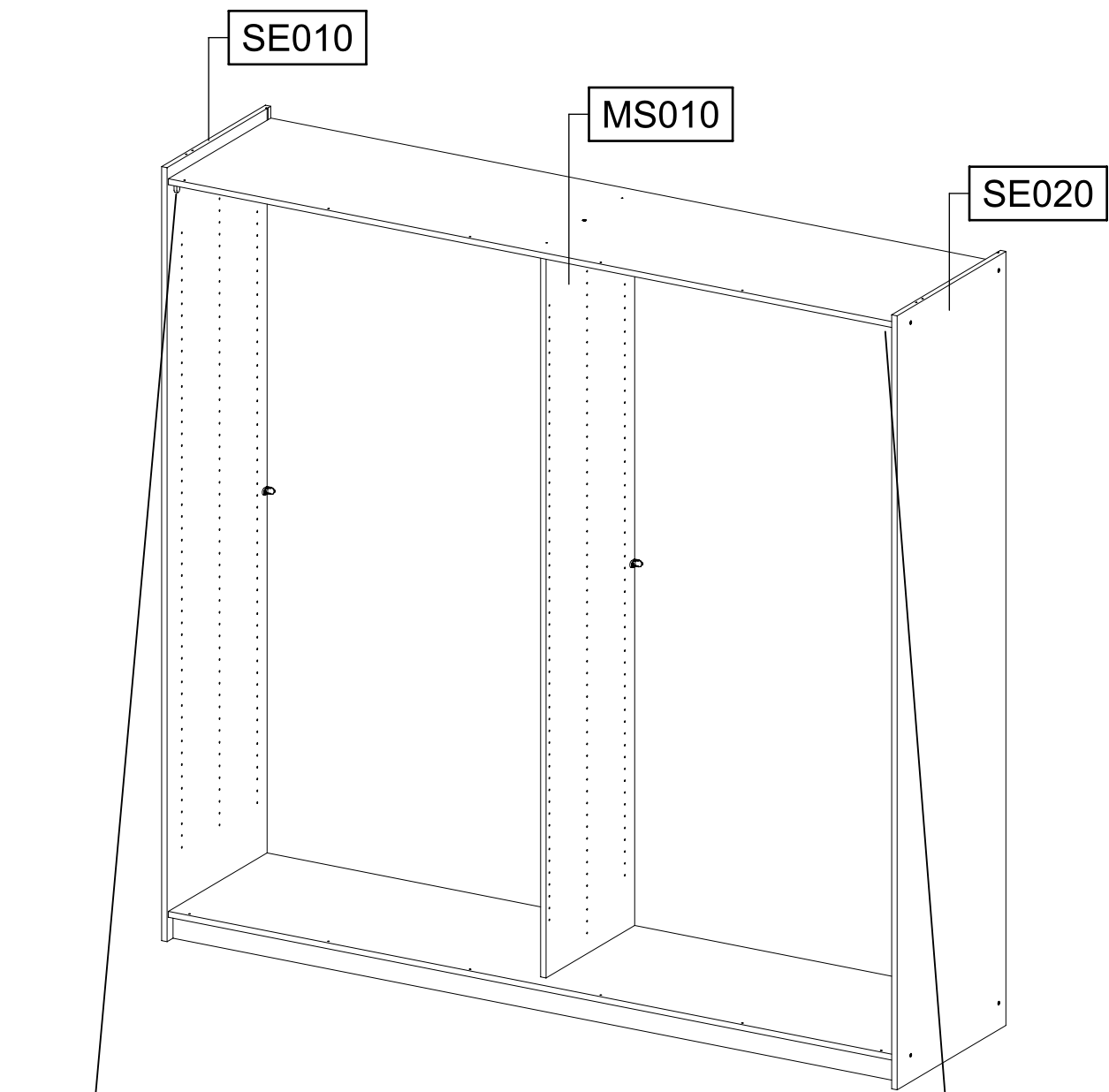
4,0x22



SE010

MS010

SE020



BO020

260

260

133

133

SE010

MS010

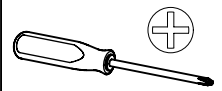
SE020

15

4x

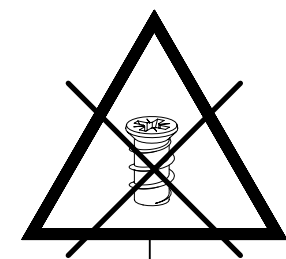
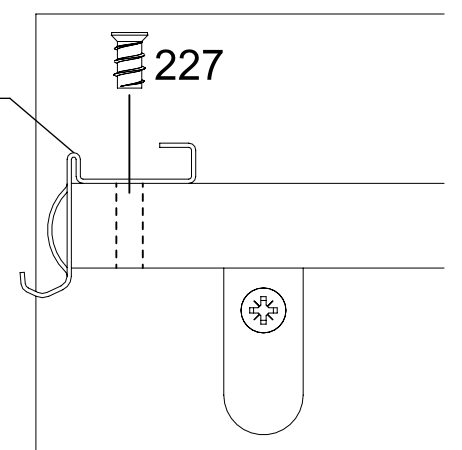
227

6x10,5

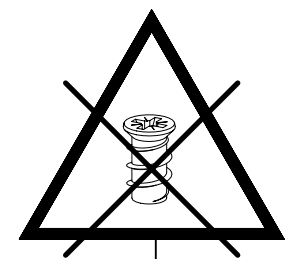


FS020

227

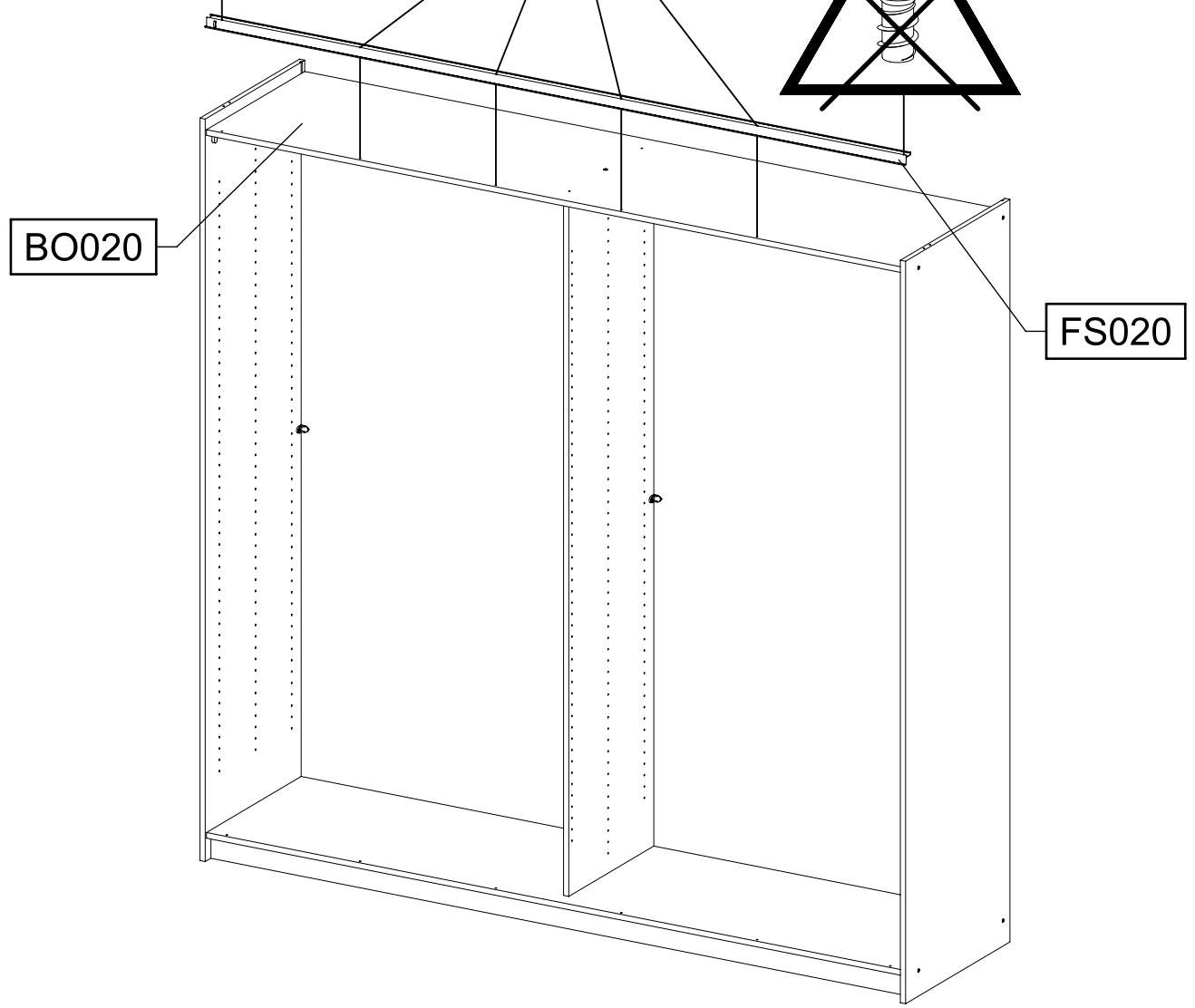


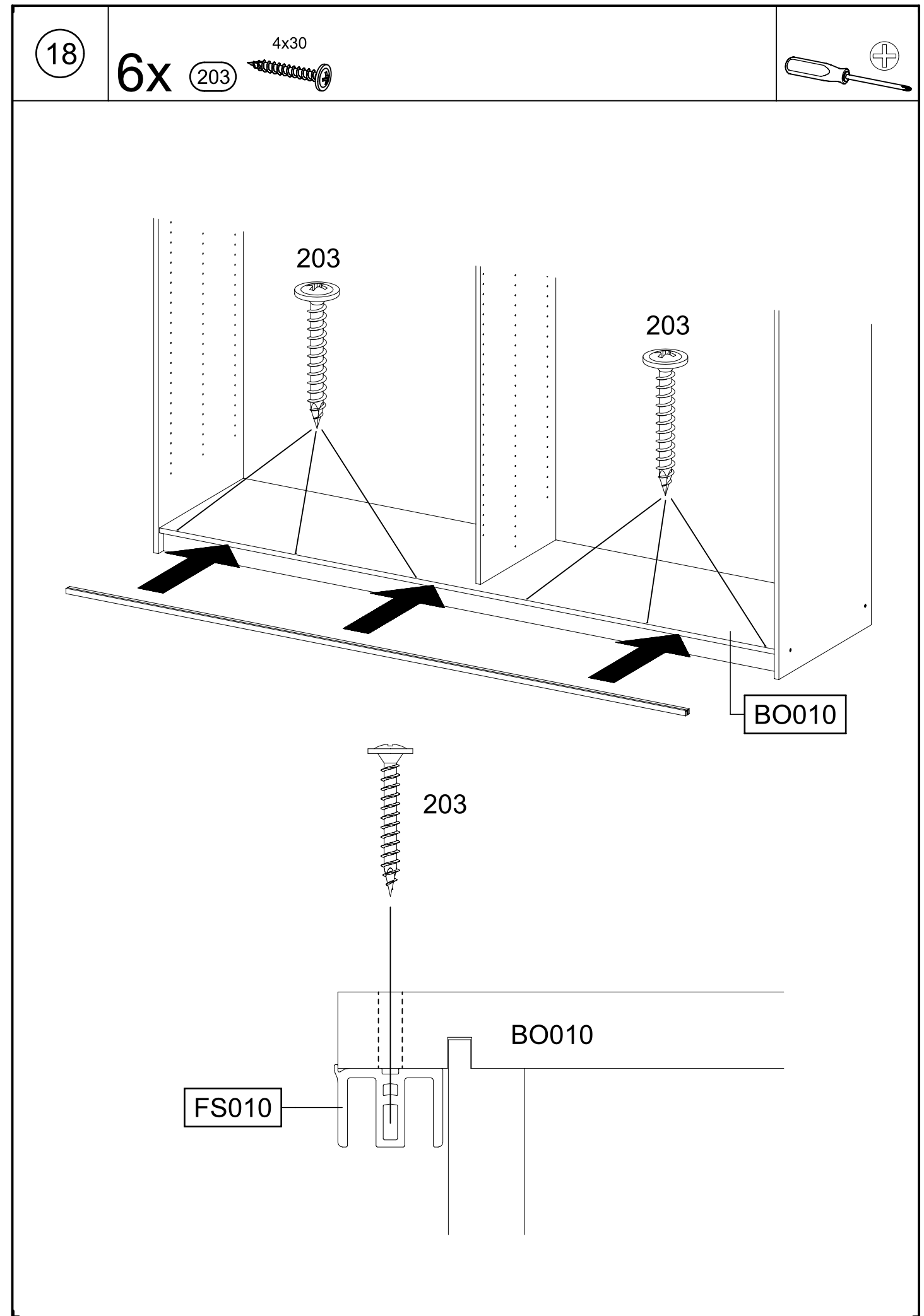
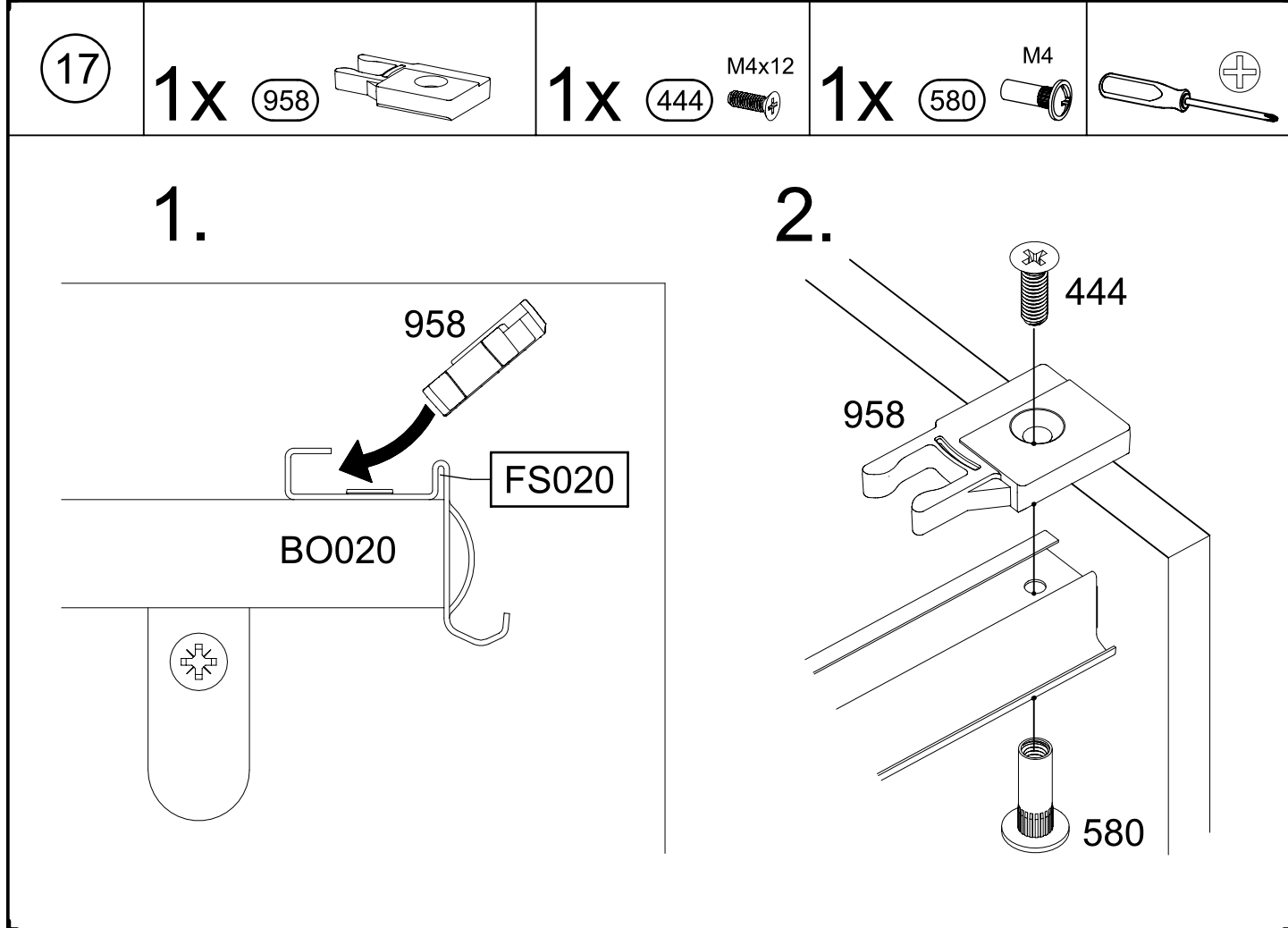
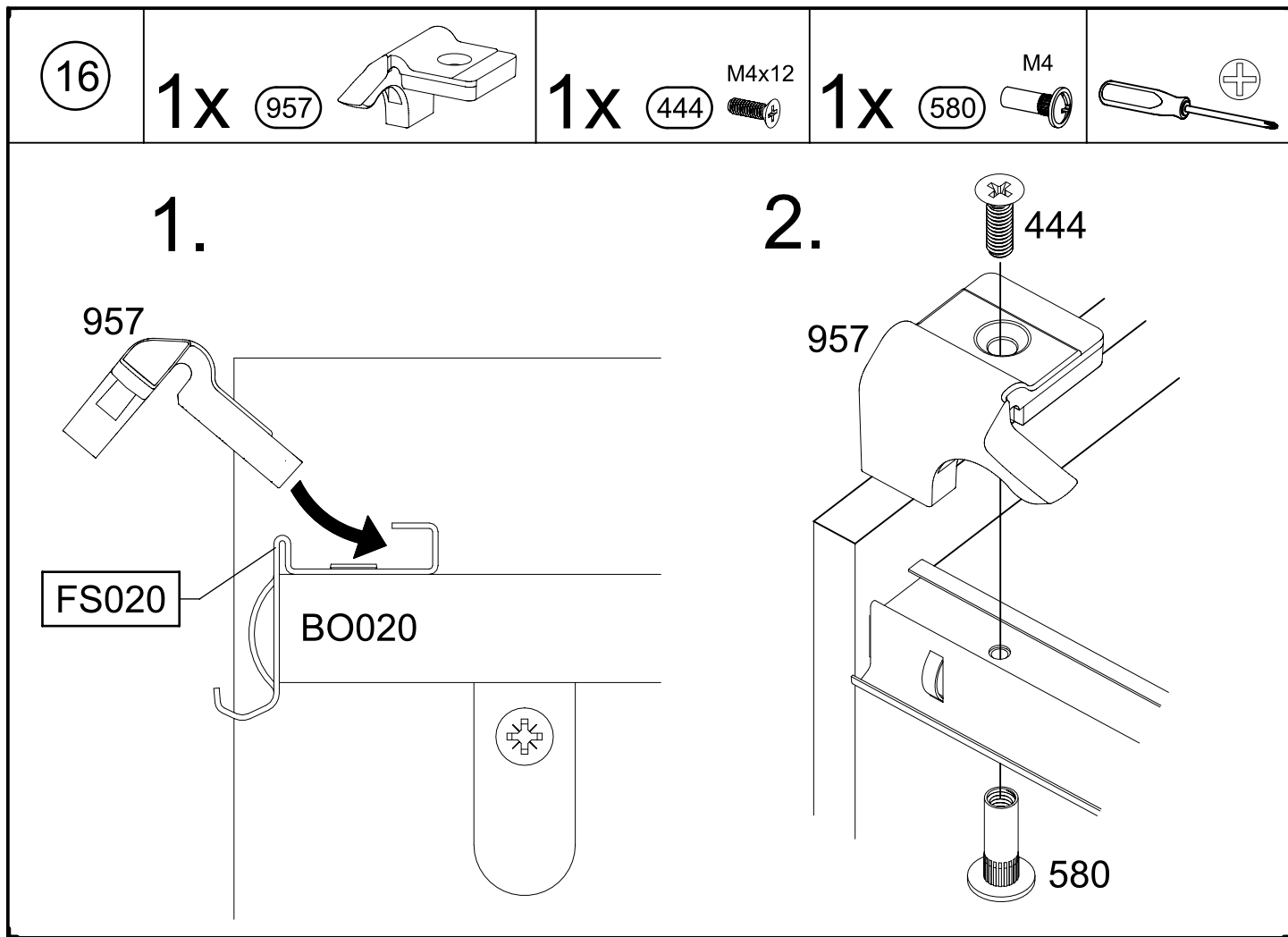
227



BO020

FS020



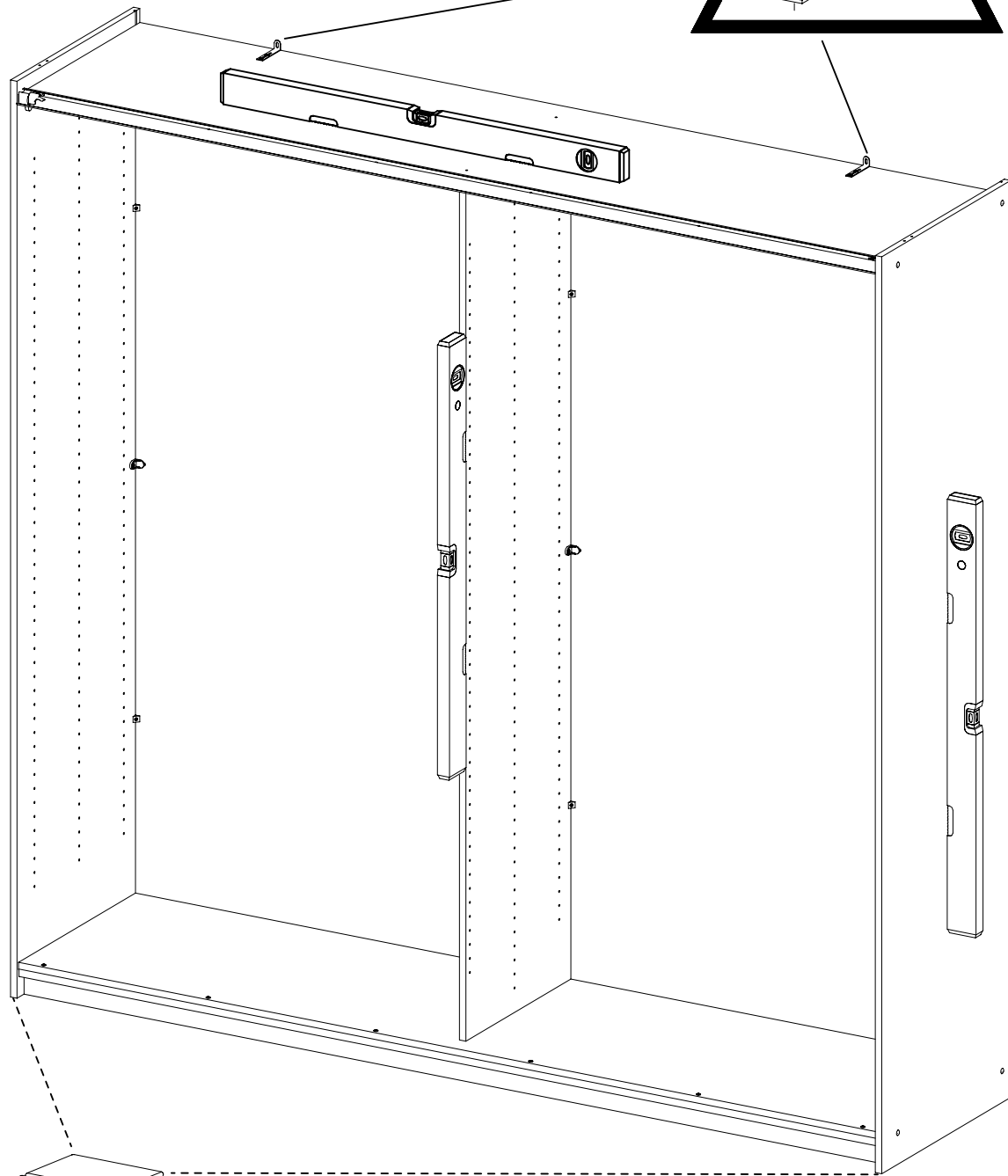
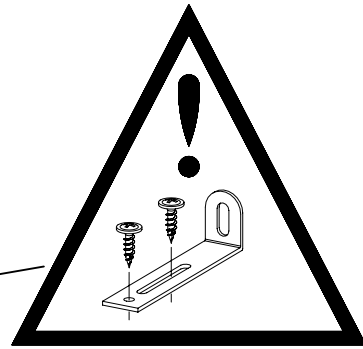
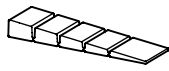


19

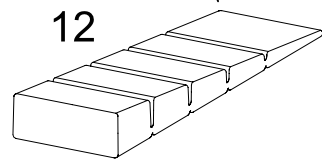
0-2x

12

55x16x6,2



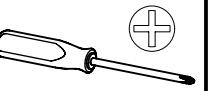
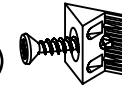
12



20

8x

45



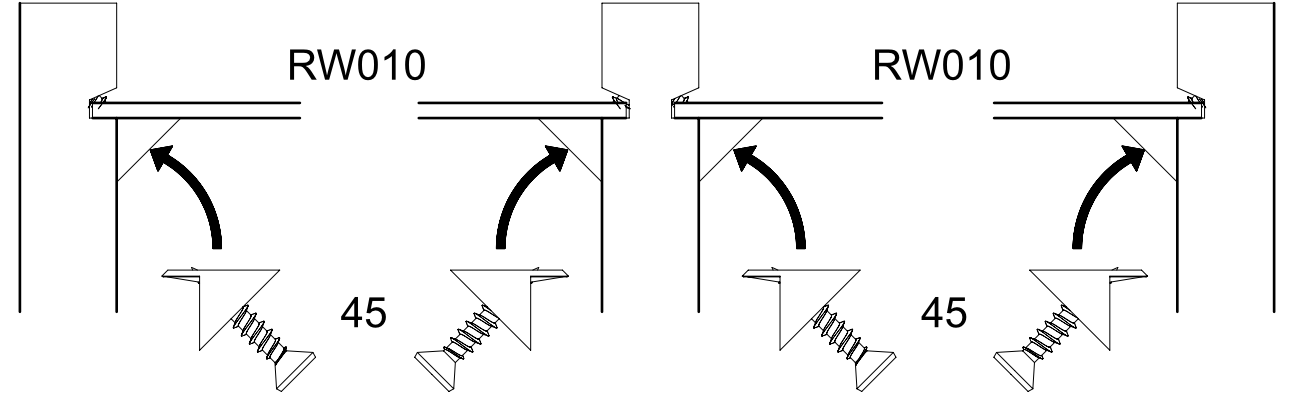
SE010

MS010

SE020

RW010

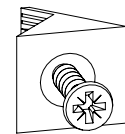
RW010



SE010

MS010

SE020



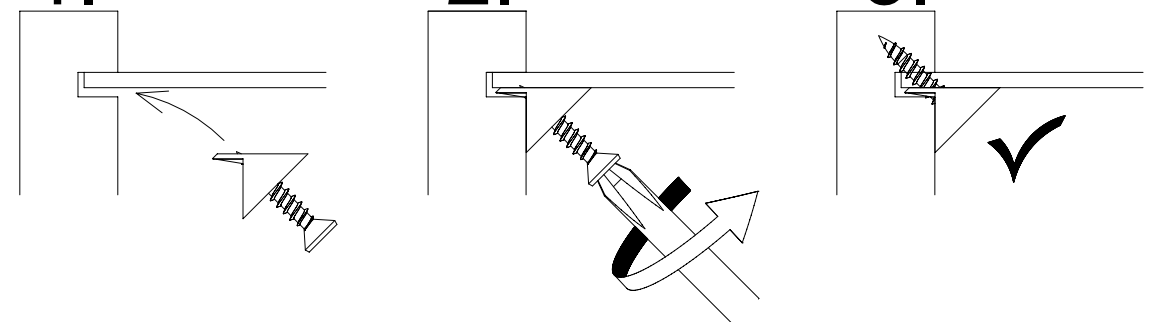
45

45

1.

2.

3.



21

8x 

