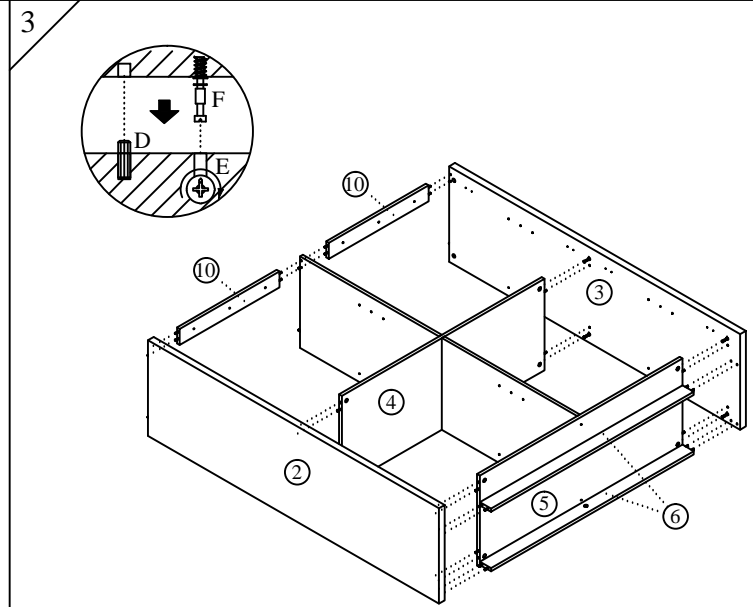
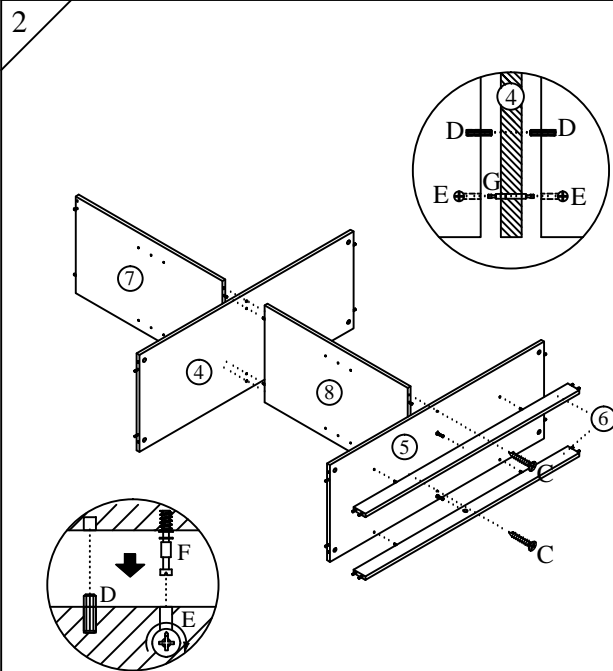
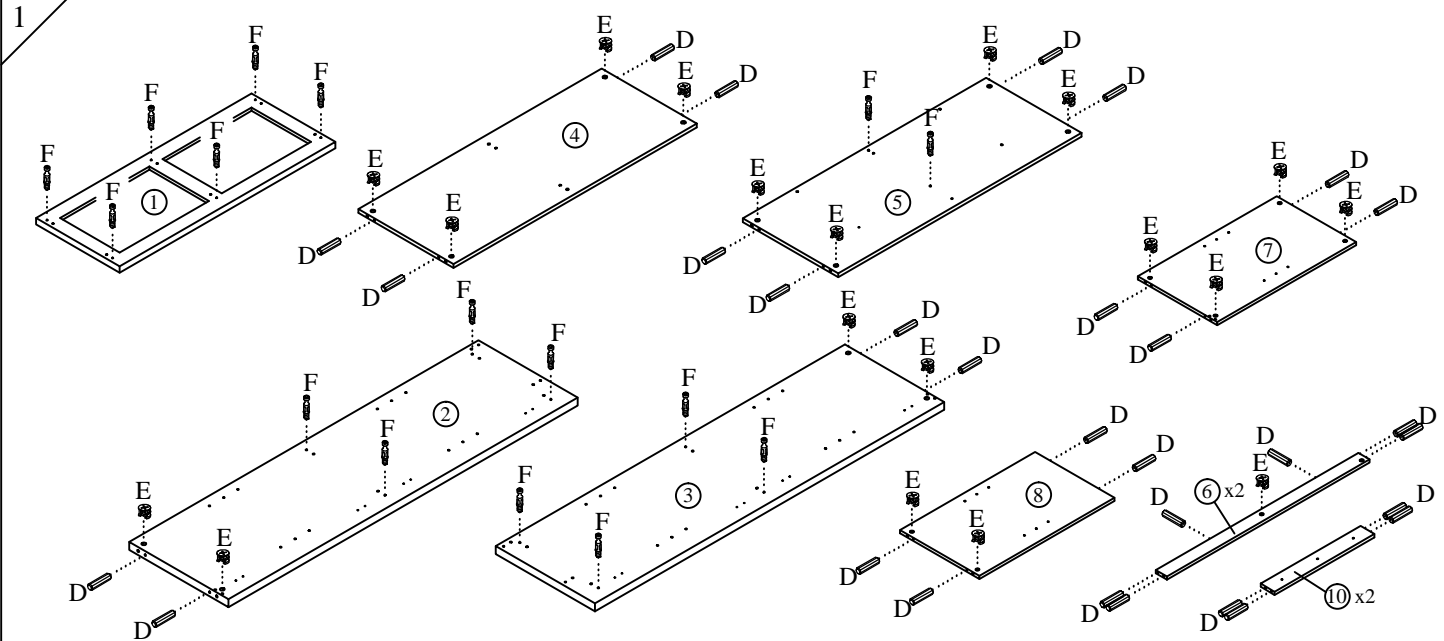
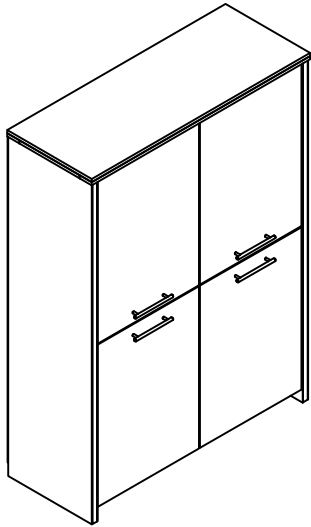


Model	DN STC 201 526	Issue Date	05 - 04 - 2018	Draw By	Liang	Approved By / Date	
Form No	P13-RD-05-Rev01	Revision	STC 1.0	Checked By	Liang	Sheet	01 / 02
Description	Assembly Instructions						



A	CSK SCREW M3.5 x 16 mm	32
B	CSK SCREW M4 x 25 mm	14
C	CSK SCREW M4 x 45 mm	2
D	WOOD DOWEL M6 x 25 mm	40
E	CAM NUT 15 mm	20
F	CAM BOLT	16
G	DOUBLE END BOLT 7 mm	2
H	METAL SHELF SUPPORT	16
I	HINGES 7/8"	4
J	PVC BAR HANDLE 8"	4
K	PVC NAIL 5/8"	6
L	NAIL	50

Model	DN STC 201 526	Issue Date	05 - 04 - 2018	Draw By	Liang	Approved By / Date	
Form No	P13-RD-05-Rev01	Revision	STC 1.0	Checked By	Liang	Sheet	02 / 02
Description	Assembly Instructions						

