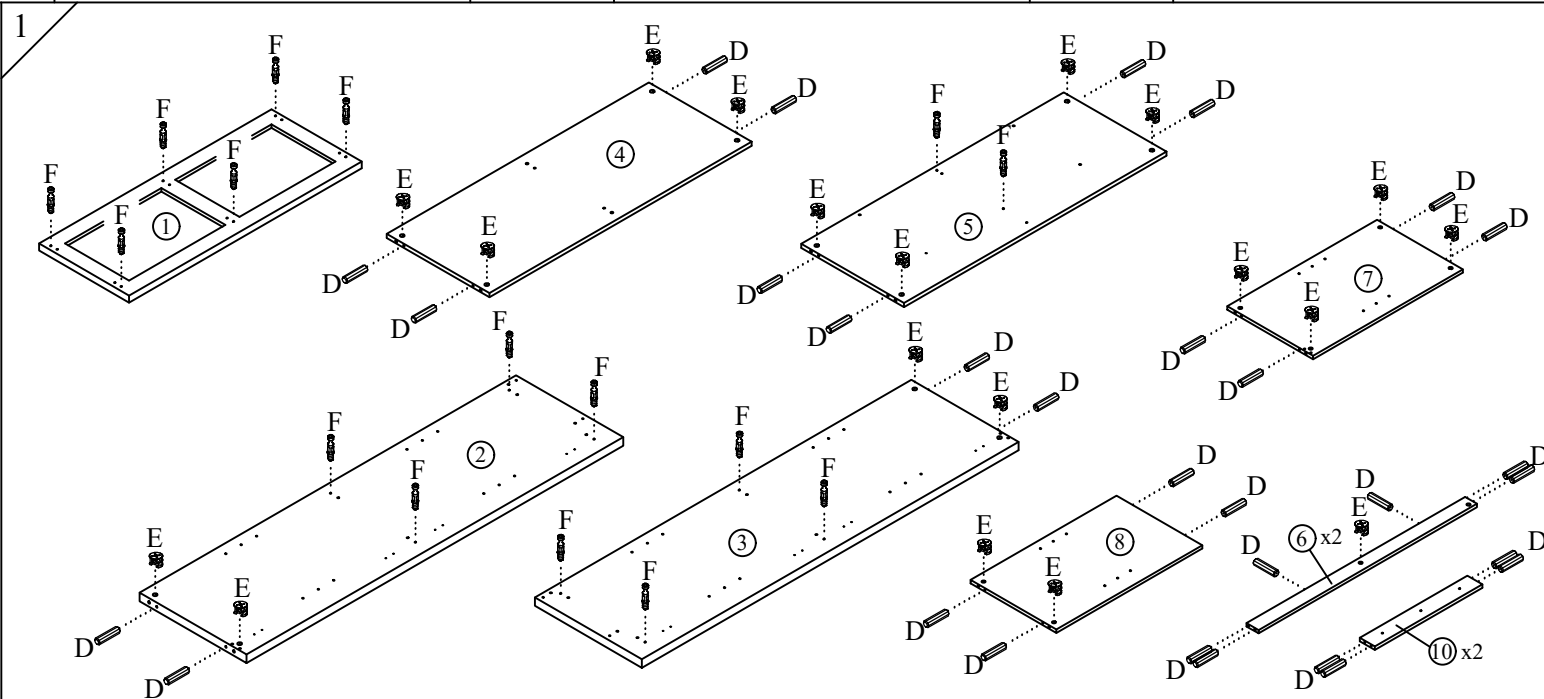
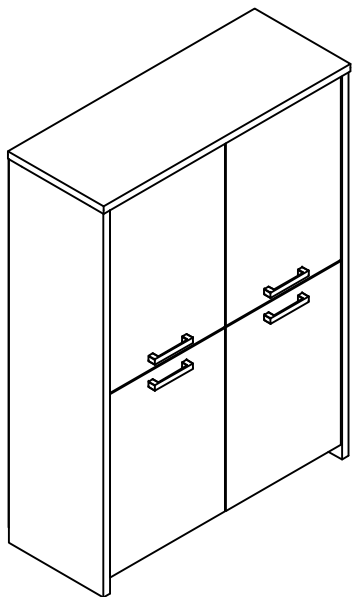
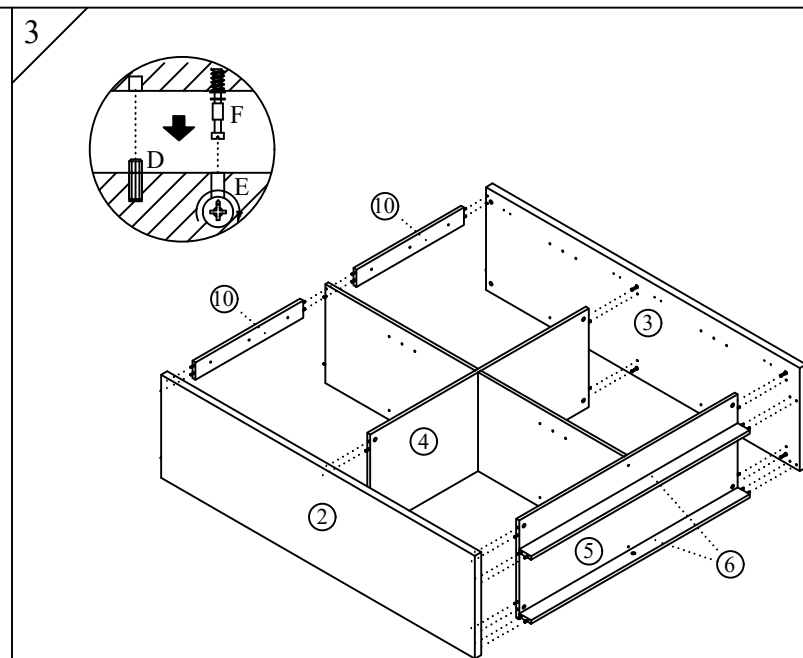
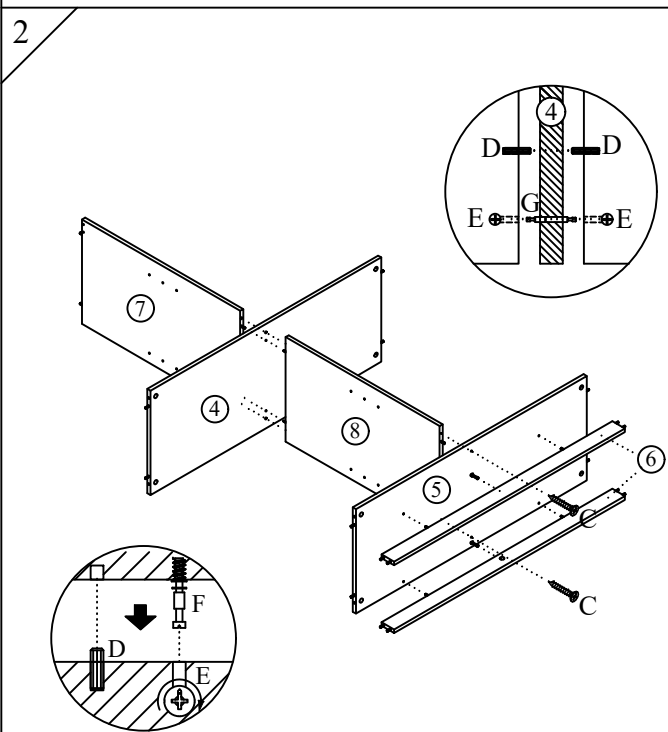


Model	DN STC 201 636-IO	Issue Date	01 - 03 - 2022	Draw By	YN NG	Approved By / Date	
Form No	P13-RD-05-Rev01	Revision	STC 1.0	Checked By	Uncle Sin	Sheet	01 / 02
Description	Assembly Instructions						



A		CSK SCREW M3.5 x 16 mm	32
B		CSK SCREW M4 x 25 mm	6
C		CSK SCREW M4 x 45 mm	2
D		WOOD DOWEL M6 x 25 mm	40
E		CAM NUT 15 mm	20
F		CAM BOLT	16
G		DOUBLE END BOLT 7 mm	2
H		METAL SHELF SUPPORT	16
I		HINGES 7/8"	8
J		HANDLE OFY 180/160	4
K		PVC NAIL 5/8"	6
L		NAIL	50
M		CSK SCREW M4 x 30 mm	8



Model	DN STC 201 636-IO	Issue Date	01 - 03 - 2022	Draw By	YN NG	Approved By / Date	
Form No	P13-RD-05-Rev01	Revision	STC 1.0	Checked By	Uncle Sin	Sheet	02 / 02
Description	Assembly Instructions						

