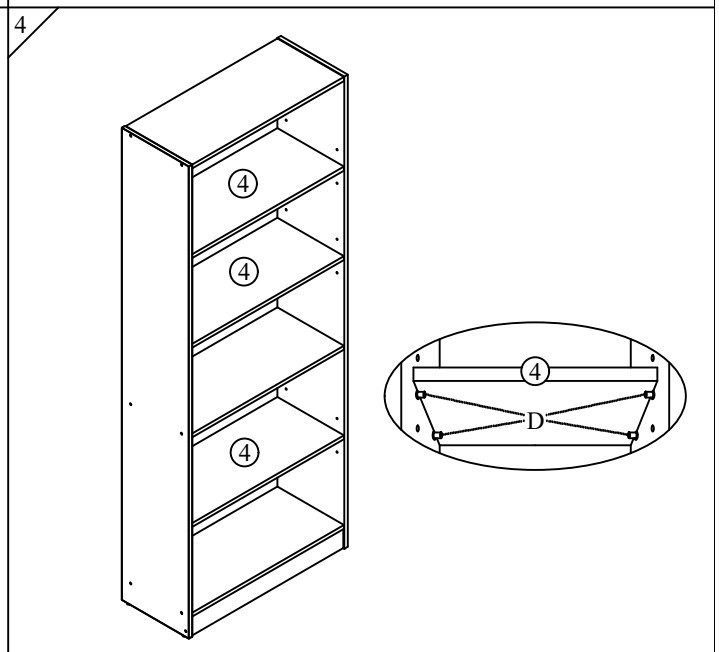
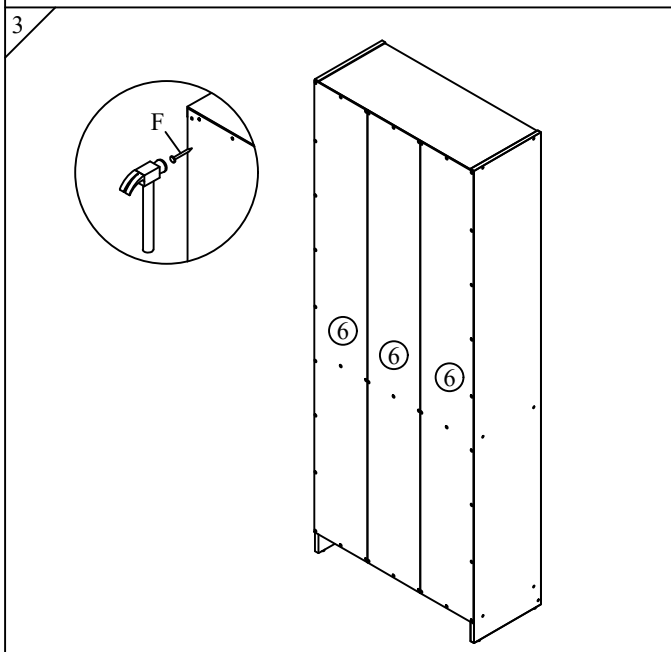
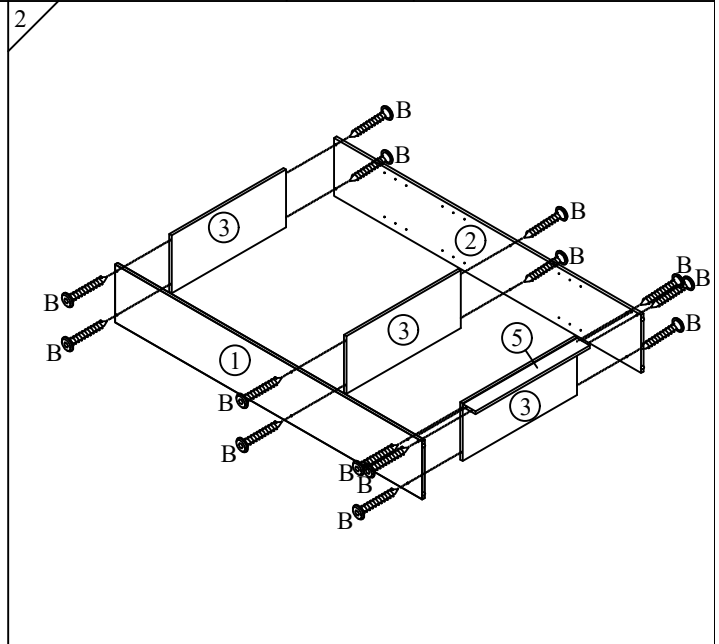
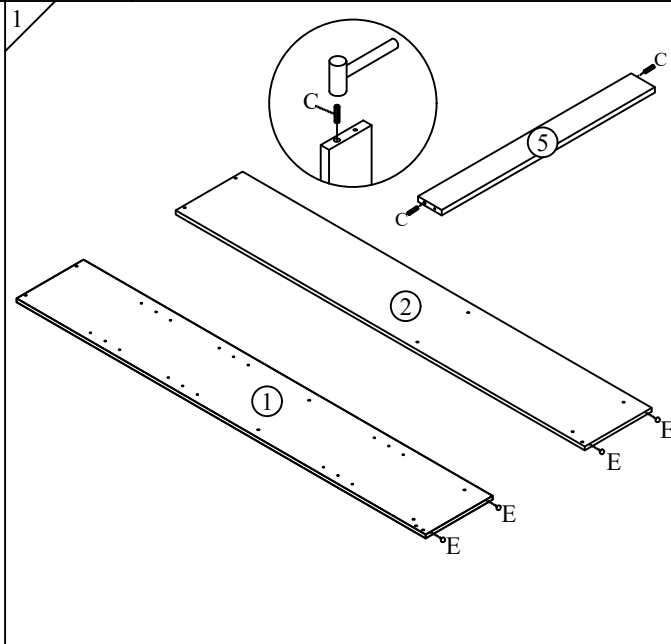
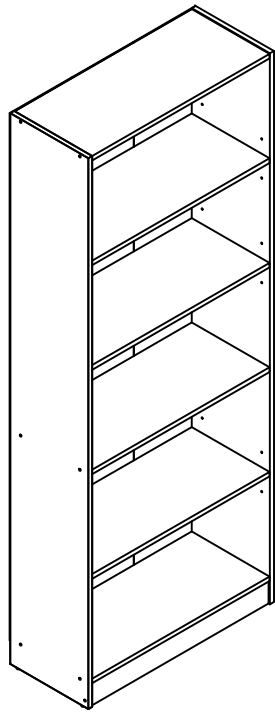


Model	DN STC 201 450-3	Issue Date	12 - 11 - 2022	Draw By	YN NG	Approved By / Date	
Form No	P13-RD-05-Rev01	Revision	STC 1.0	Checked By	YN NG	Sheet	01 / 01
Description	Assembly Instructions						



A	ALLEN KEY	1
B	M5 x 40mm JCBCW SCREW	14
C	WOOD DOWEL 6 x 25mm	2
D	METAL SHELF SUPPORT	12
E	PVC NAIL	4
F	NAIL	39