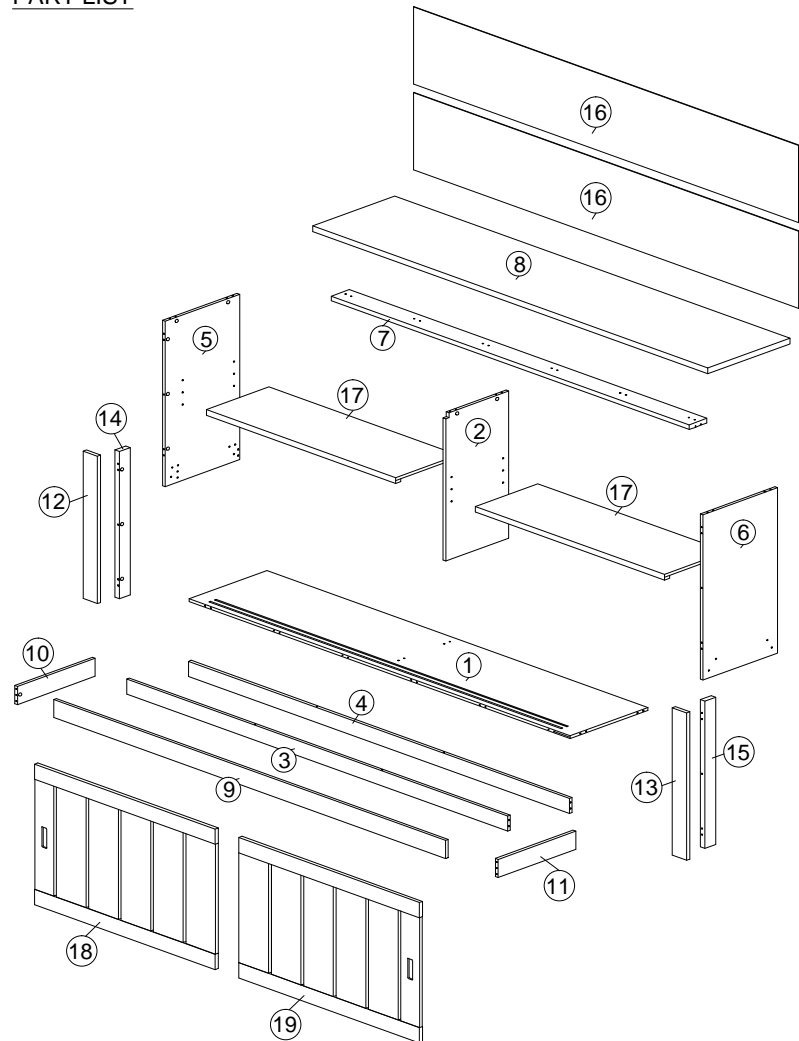


# ASSEMBLY INSTRUCTION

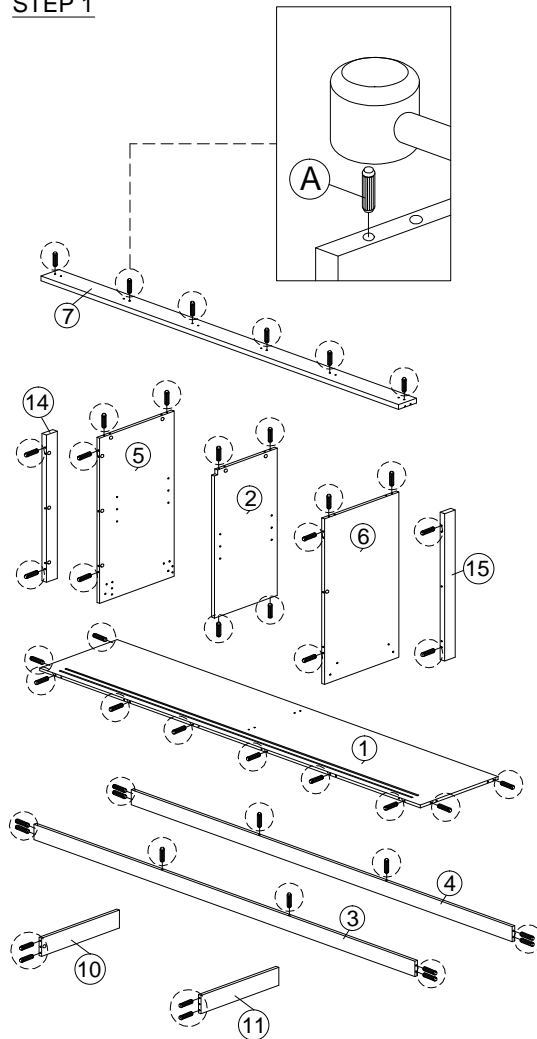
MODEL : SB 19013-S5V - EDDY DRESSOIR 221 / SIDE BOARD

HARDWARE	A	B	C	D	E	F1 F2	G	H	I	I1 I2	J	K	L	M	N	O
	PLASTIC DOWEL M8X25 1X48	16MM CB SCREW M3.5X16 1X28	30MM CB SCREW M4X30 1X4	40MM CSK CAP M6X40 1X6	50MM CSK CAP M6X50 1X6	MINIFIX 5654 26 SETS	METAL SHELF SUPPORT 1X8	CAP 1X12	1139 ROLLER - WHITE 4 SETS	PLASTIC RAIL (2000MM) 1X4	POWER NAIL 6/8 1X60	PLASTIC PIN 1X6	ALLEN KEY 1X1	HANDLE 11036 (PVC) - SILVER 1X2	16MM TRUSS HEAD CB SCREW M4X16 1X4	

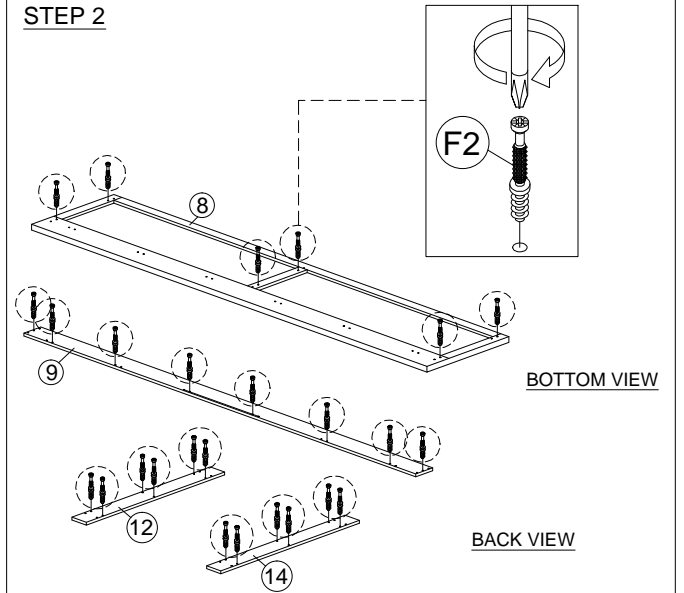
## PART LIST



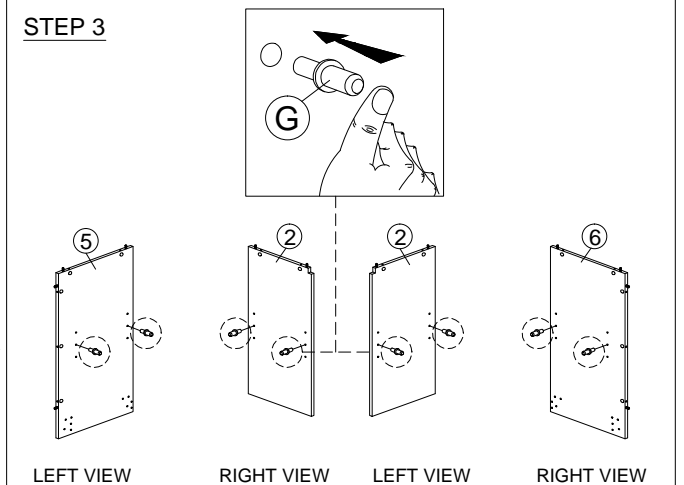
## STEP 1



## STEP 2

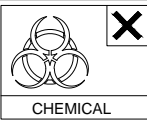


## STEP 3

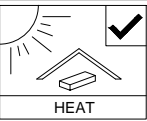




SOFT, DRY CLOTH



CHEMICAL



HEAT



KEEP DRY



HANDLE WITH CARE



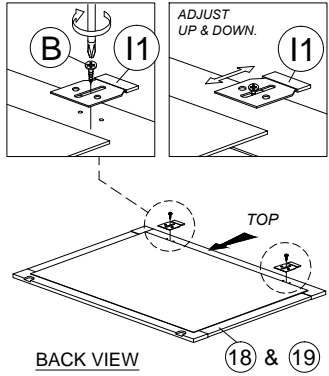
DO NOT USE KNIFE

# ASSEMBLY INSTRUCTION

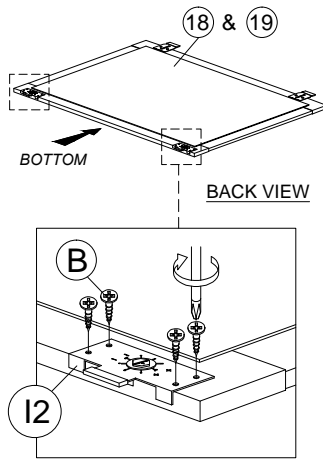
MODEL : SB 19013-S5V - EDDY DRESSOIR 221 / SIDE BOARD

## STEP 4

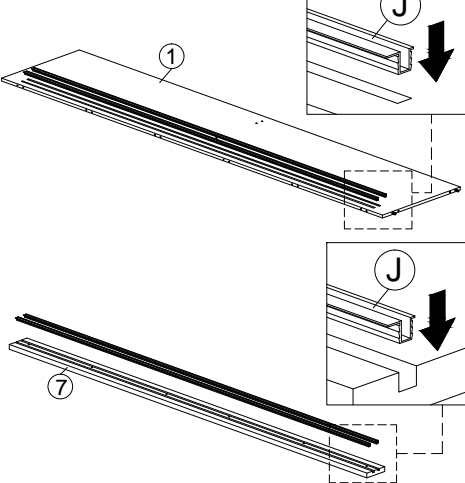
1. SCREW AT THE CENTER SLIDING DOOR GUIDE.
2. DO NOT FULLY TIGHTEN THE SCREW.
3. SO THAT, MAKE IT EASY TO ADJUST UP & DOWN.



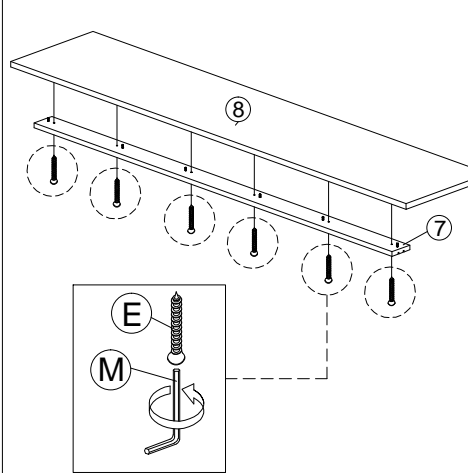
## STEP 5



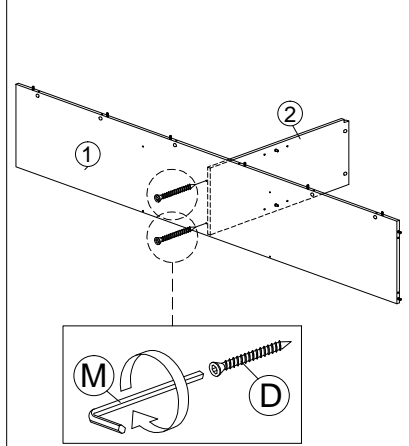
## STEP 6



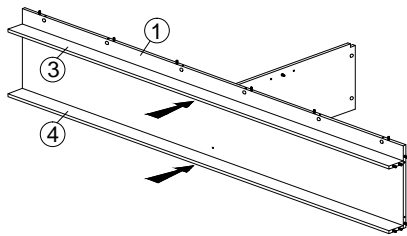
## STEP 7



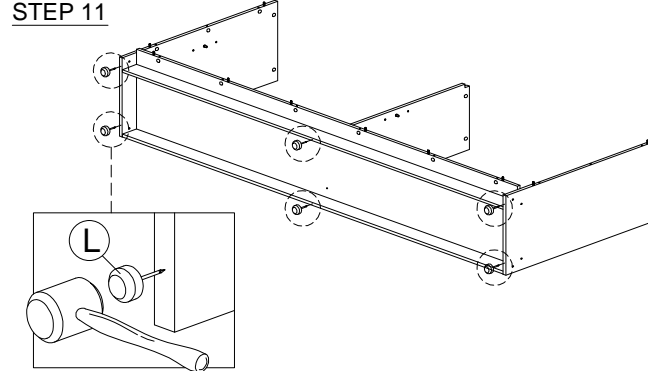
## STEP 8



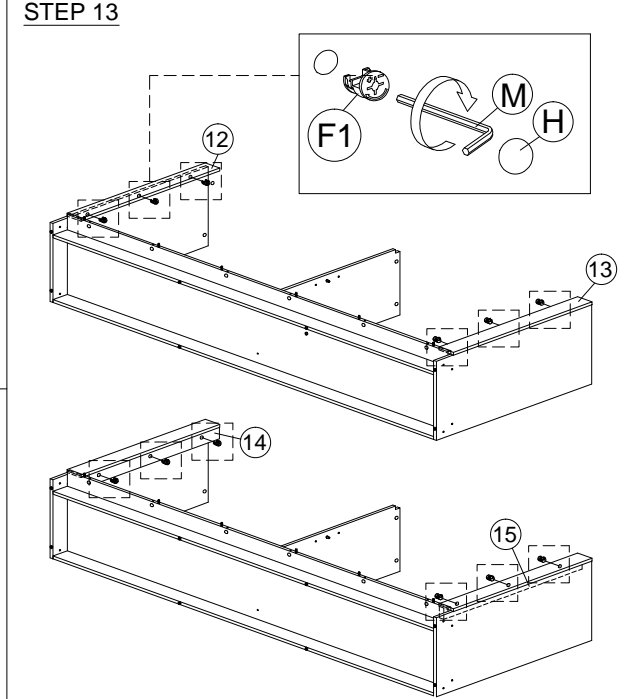
## STEP 9



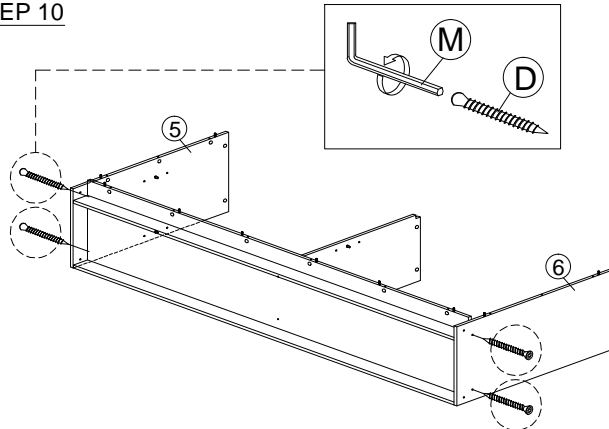
## STEP 11



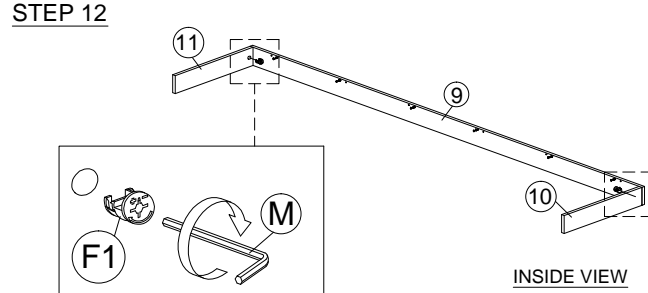
## STEP 13



## STEP 10

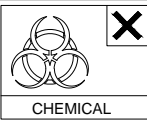


## STEP 12

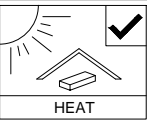




SOFT, DRY CLOTH



CHEMICAL



HEAT



KEEP DRY



HANDLE WITH CARE

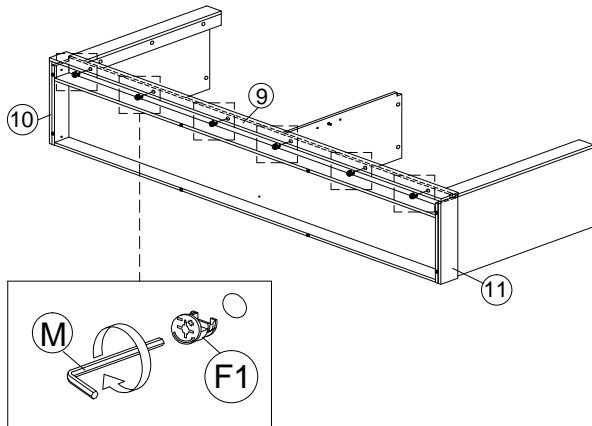


DO NOT USE KNIFE

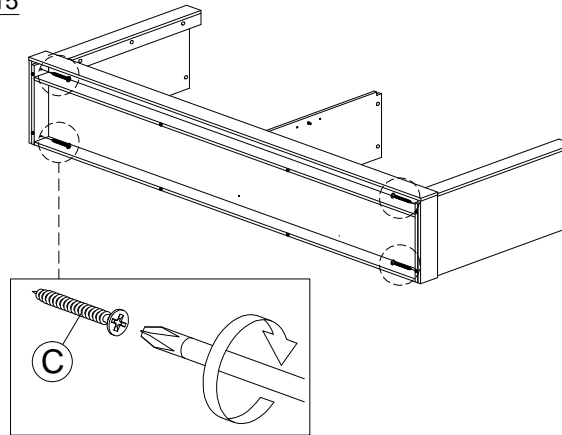
# ASSEMBLY INSTRUCTION

MODEL : SB 19013-S5V - EDDY DRESSOIR 221 / SIDE BOARD

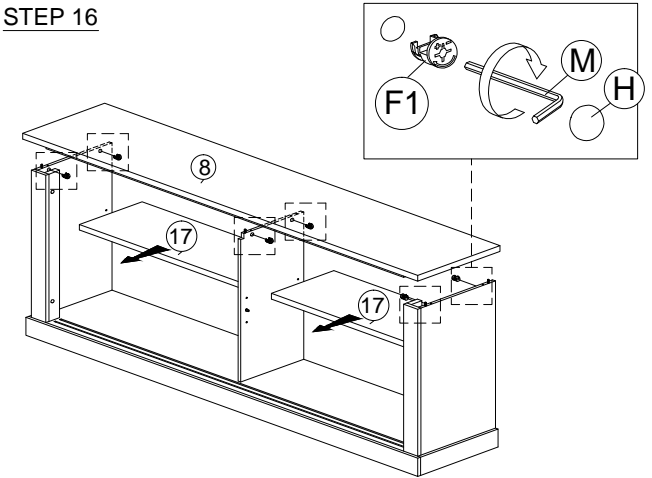
## STEP 14



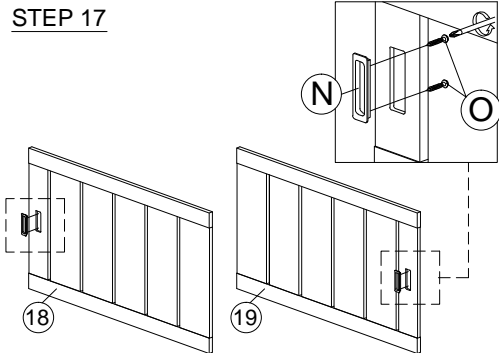
## STEP 15



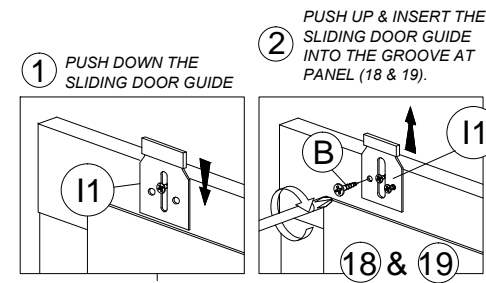
## STEP 16



## STEP 17



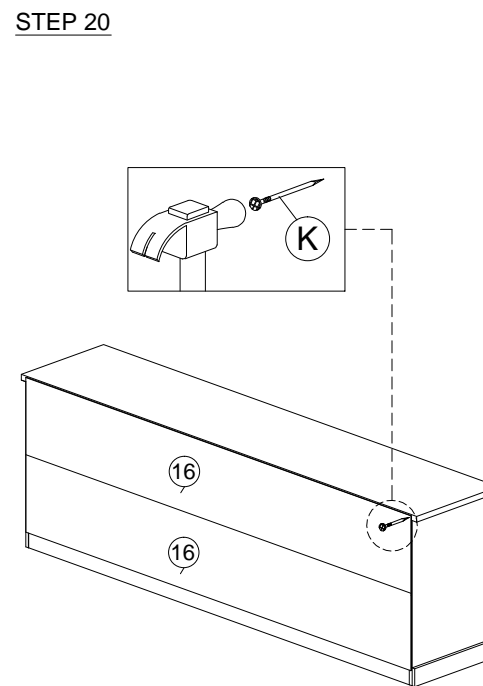
## STEP 19



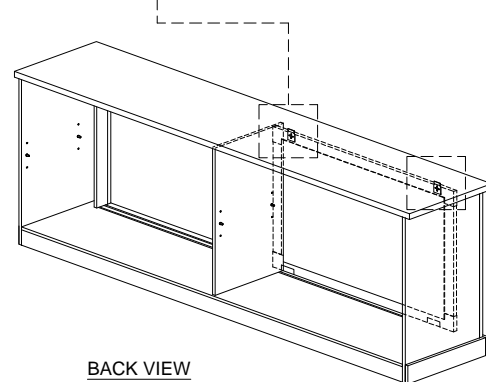
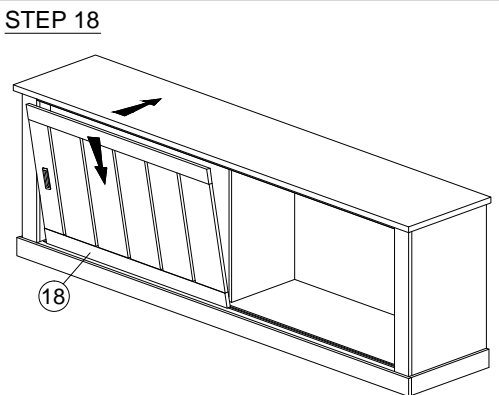
1 PUSH DOWN THE SLIDING DOOR GUIDE

2 PUSH UP & INSERT THE SLIDING DOOR GUIDE INTO THE GROOVE AT PANEL (18 & 19).

## STEP 20



## STEP 18



BACK VIEW

BACK VIEW

## COMPLETED

