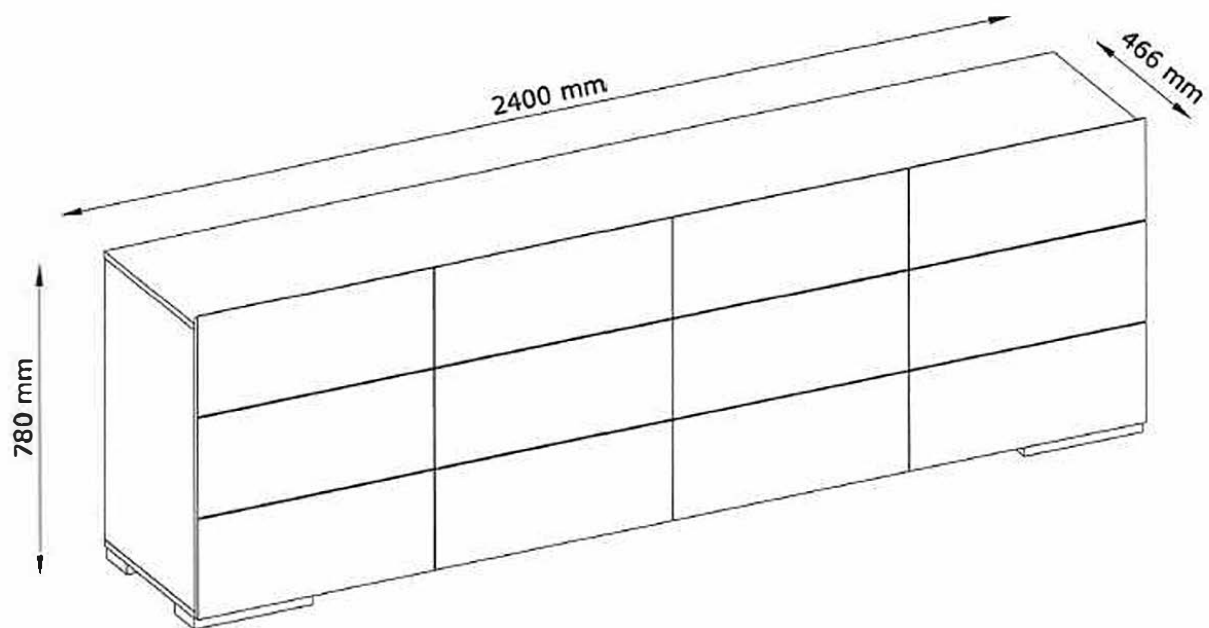
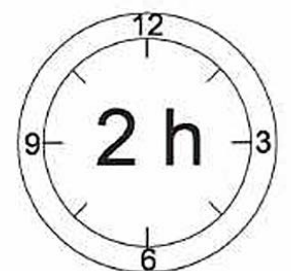


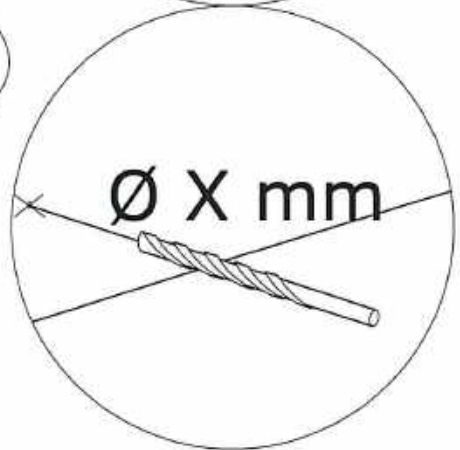
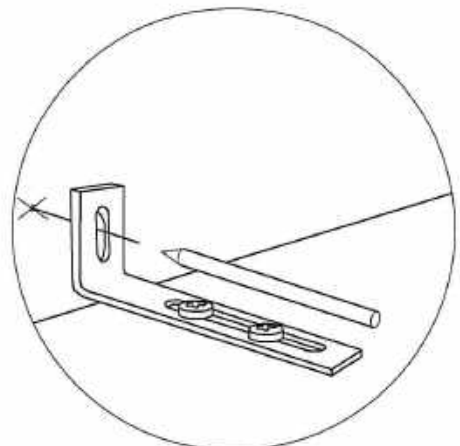
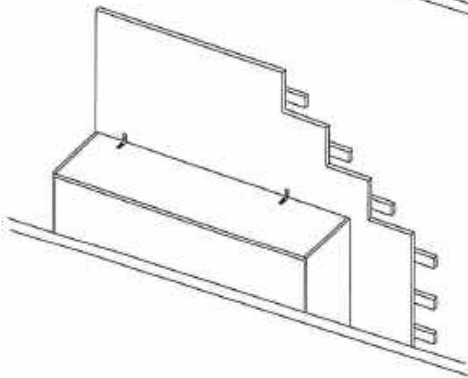
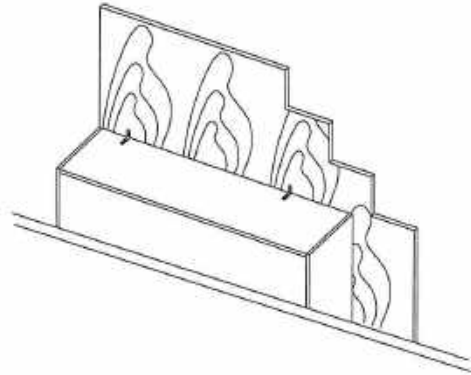
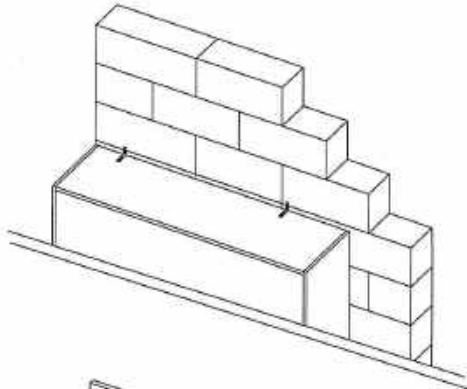
ELBA

04



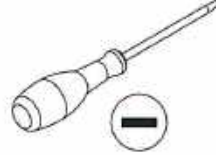
Instrukcja montażu
Montageanleitung
Instructions D'assemblage
Assembly instructions
Návod na montáž
Montážni návod
Uputstvo za montažu
Upute za montažu



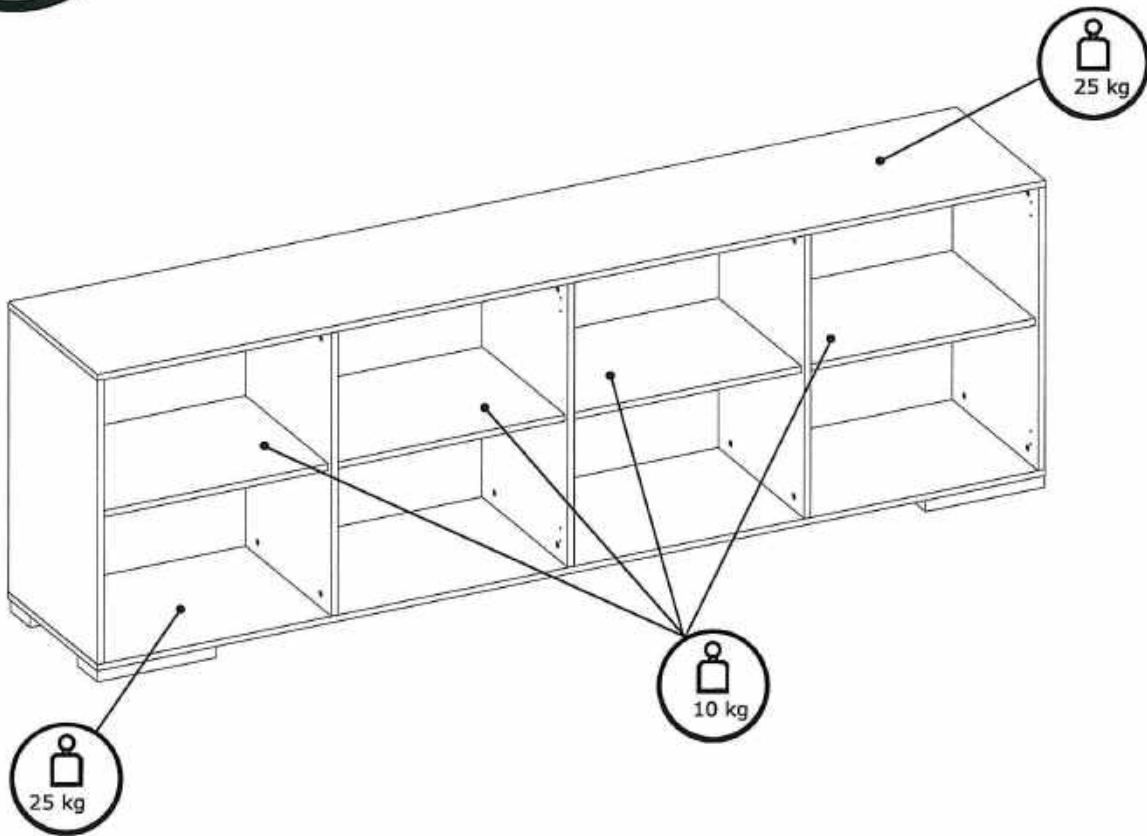
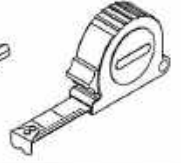


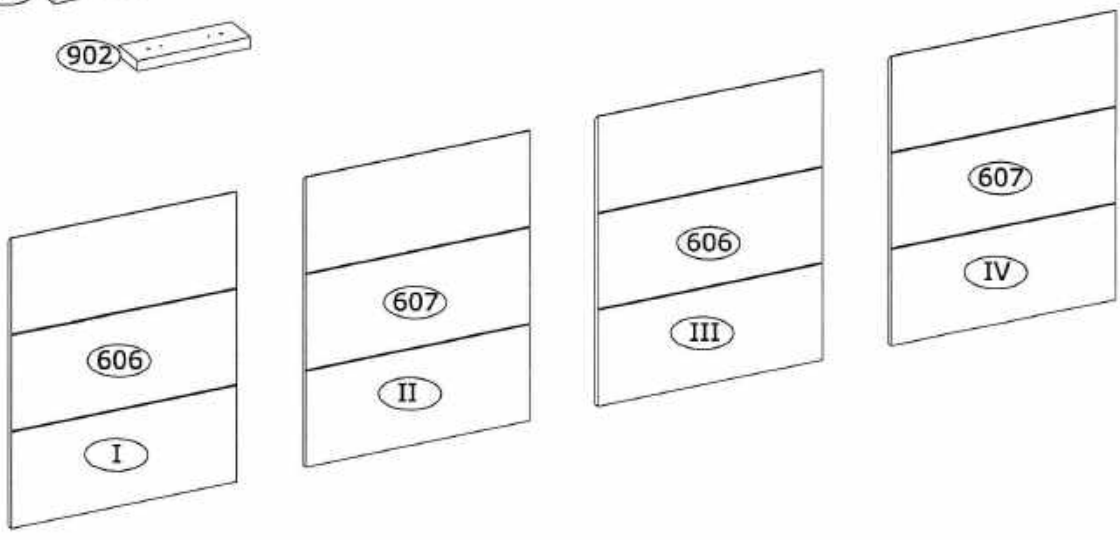
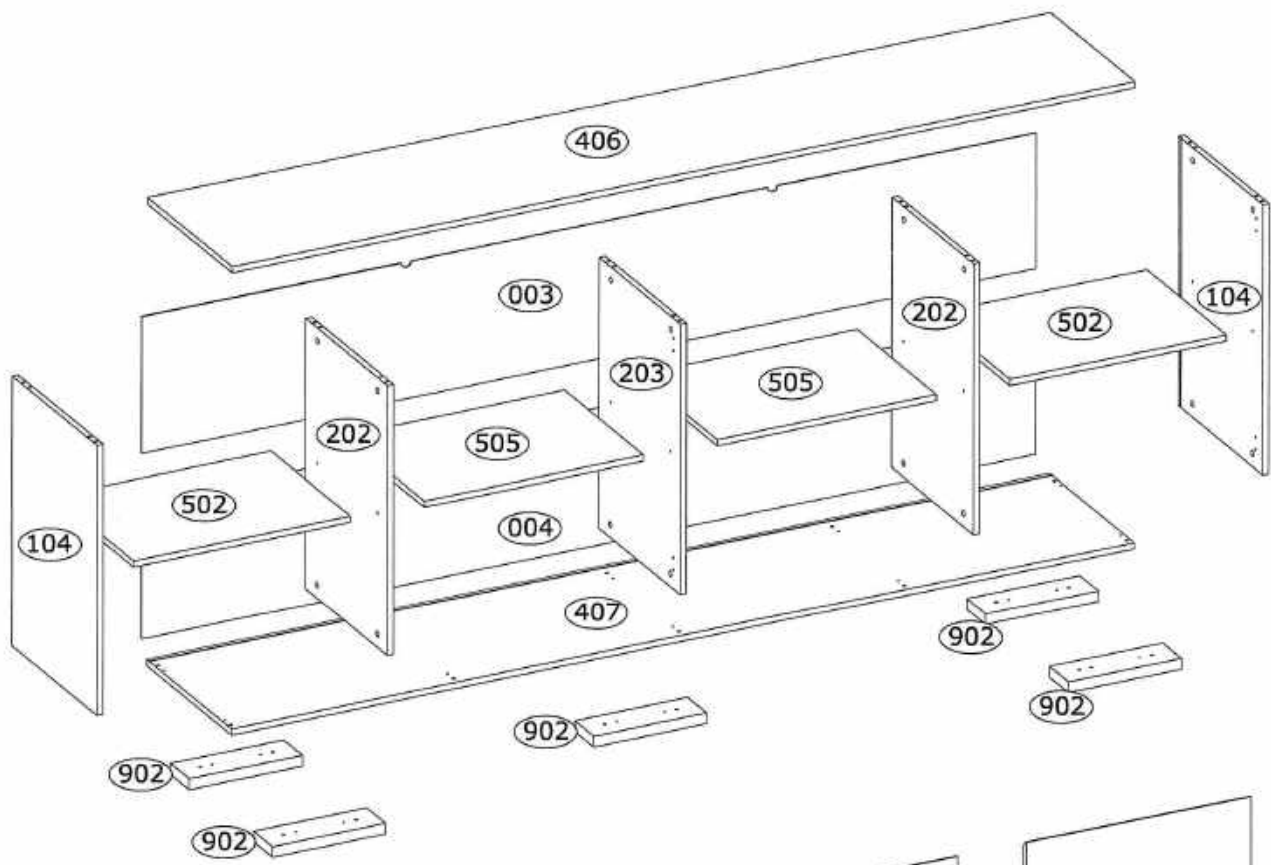


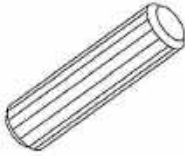
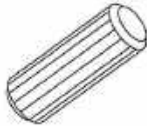

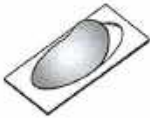





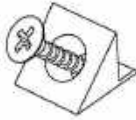

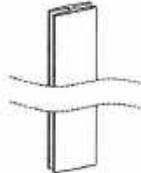
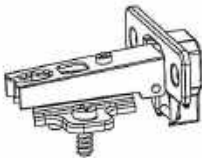
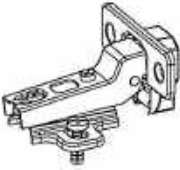
+ PH2

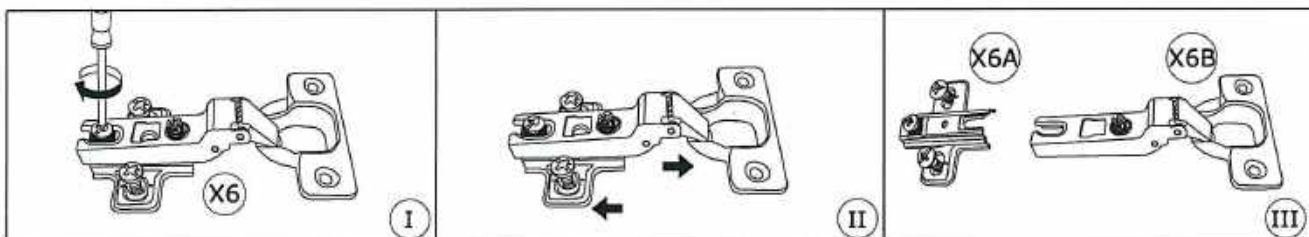
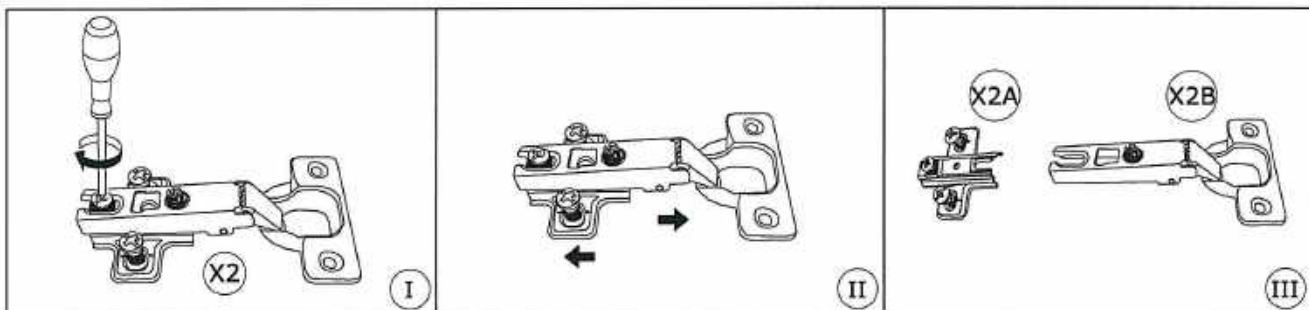


-





<p>A x 20</p>  <p>Ø8x30 mm</p>	<p>A2 x 10</p>  <p>Ø8x20 mm</p>	<p>B x 20</p>  <p>Ø15x12 mm</p>	<p>C x20</p>  <p>Ø20 mm</p>
<p>D x 20</p>  <p>Ø6,5x36,5 mm</p>	<p>E x 16</p>  <p>Ø5x16 mm</p>	<p>F x 20</p>  <p>Ø3,5x16 mm</p>	<p>H x 18</p>  <p>Ø3,0x20 mm</p>
<p>F5 x 10</p>  <p>Ø4,0x40 mm</p>	<p>I x 20</p>  <p>15x14x11 mm</p>	<p>K x 2</p>  <p>75x15x32 mm</p>	<p>T x 1</p>  <p>L-2365 mm</p>
<p>X2 x 4</p>  <p>Ø35 mm , KR0</p>	<p>X6 x 4</p>  <p>Ø35 mm , KR8</p>		

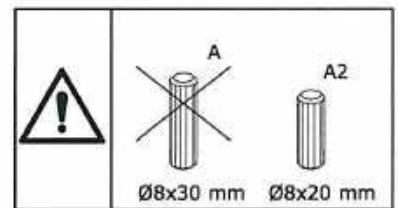
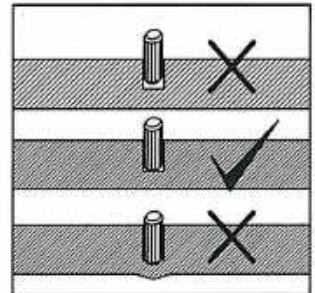
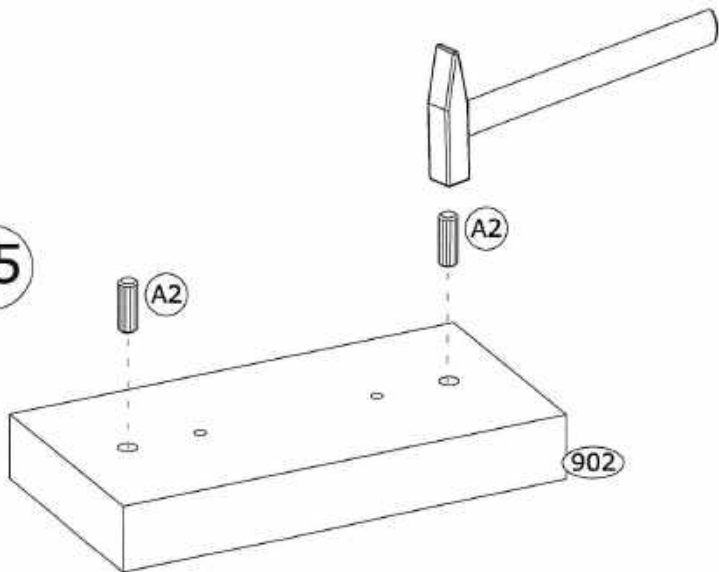


1

A2 x 10
Ø8x20 mm

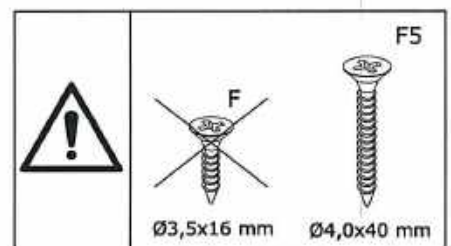
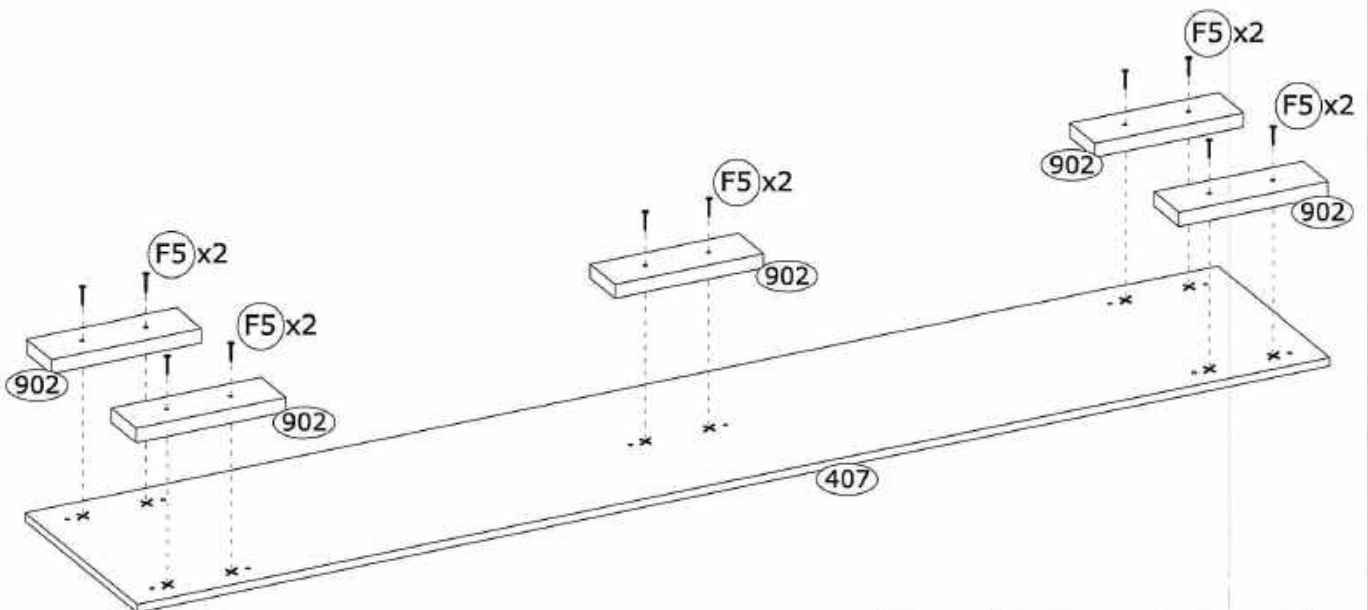
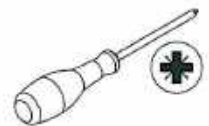


x5



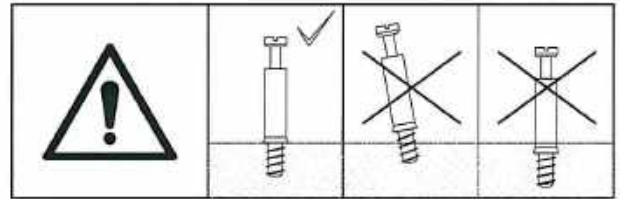
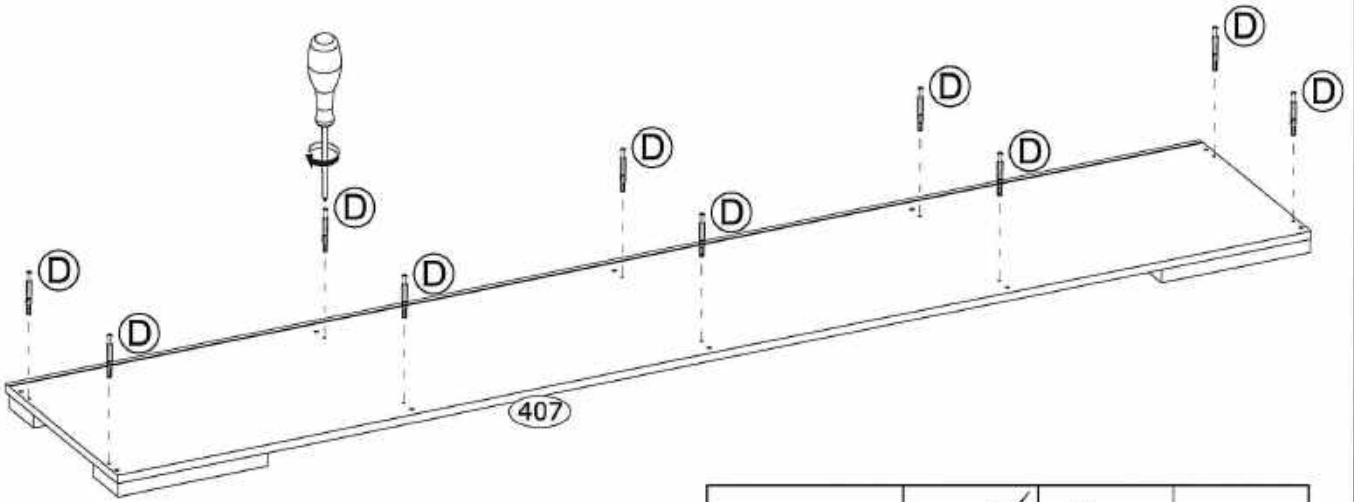
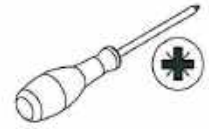
2

F5 x 10
Ø4,0x40 mm



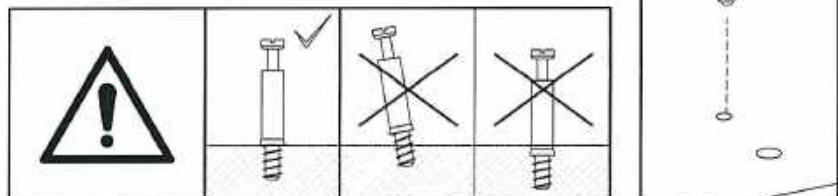
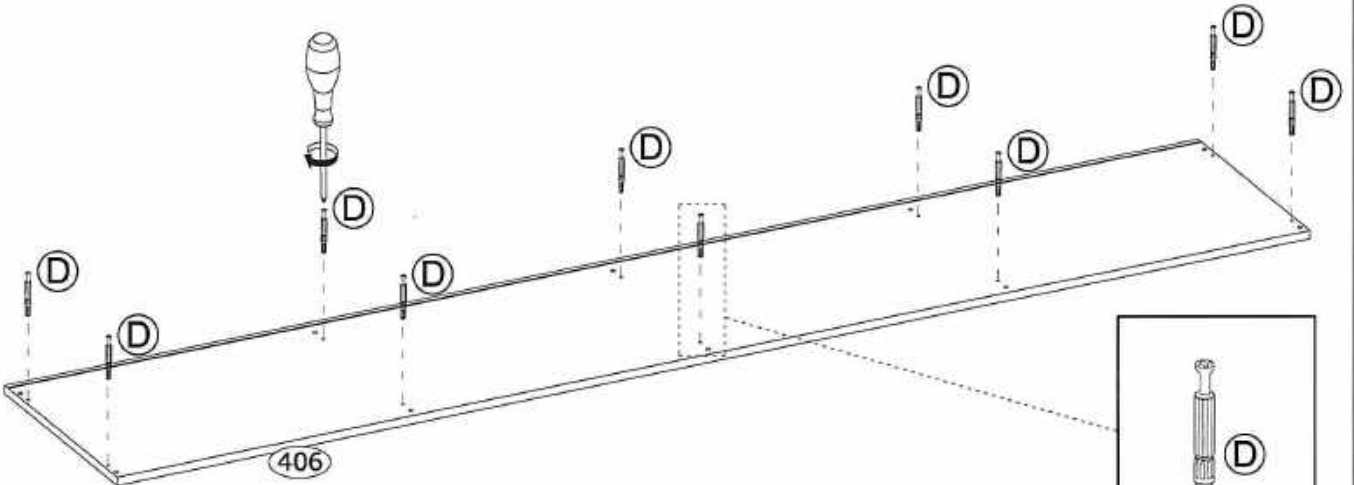
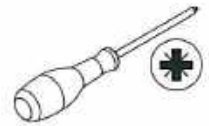
3

D x 10
Ø6,5x36,5 mm

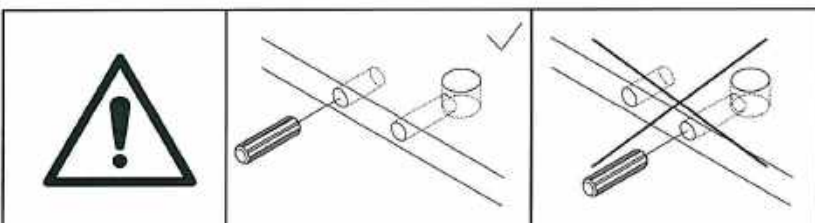
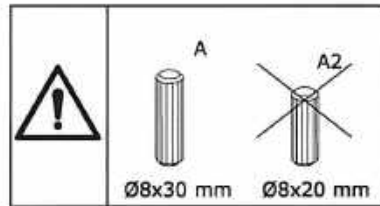
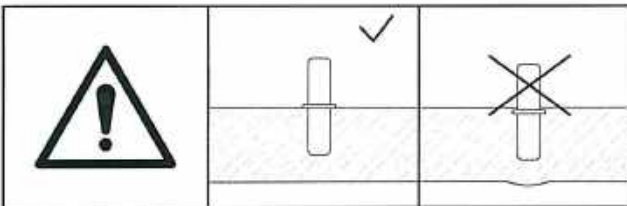
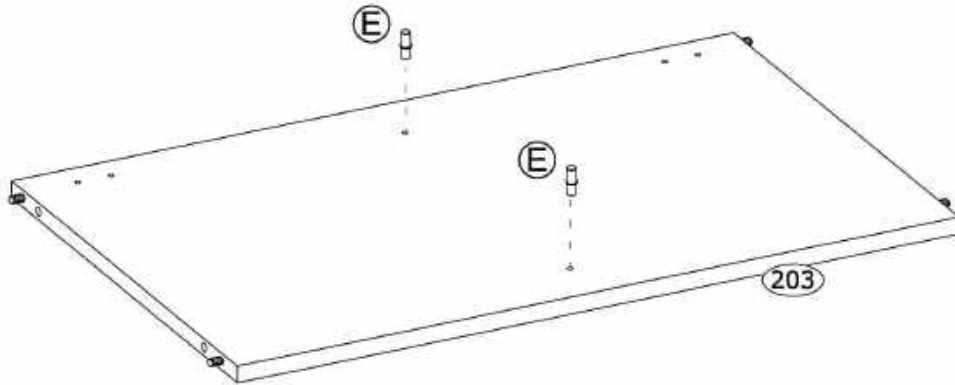
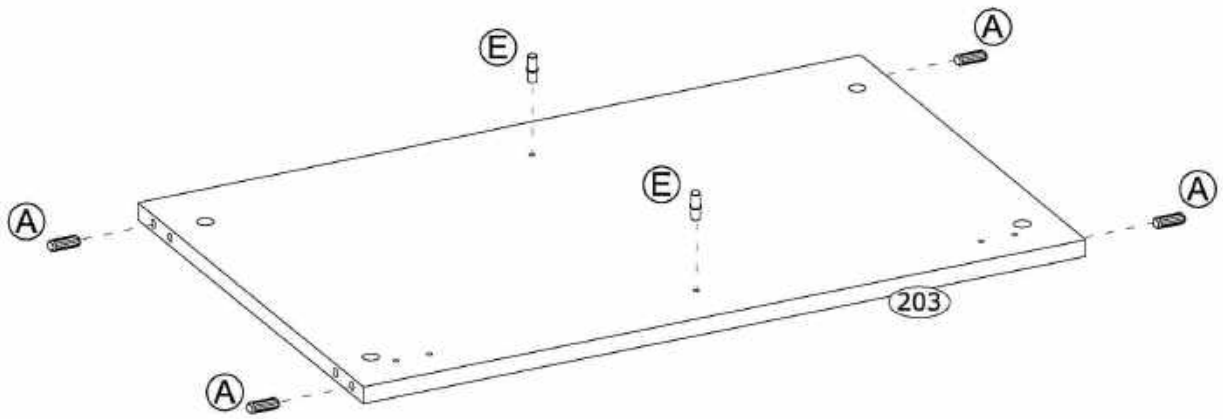


4

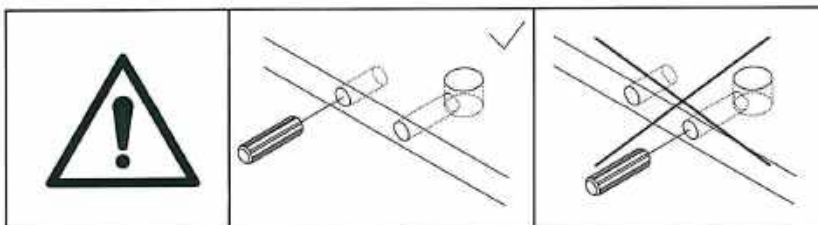
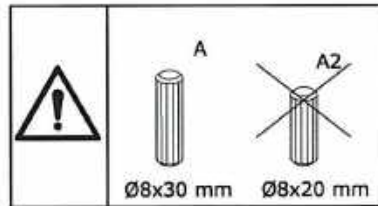
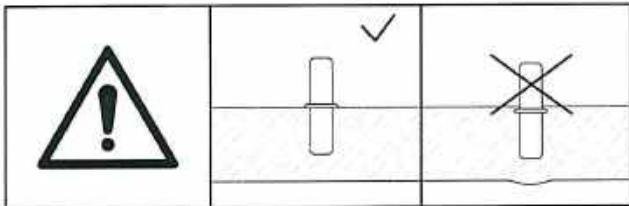
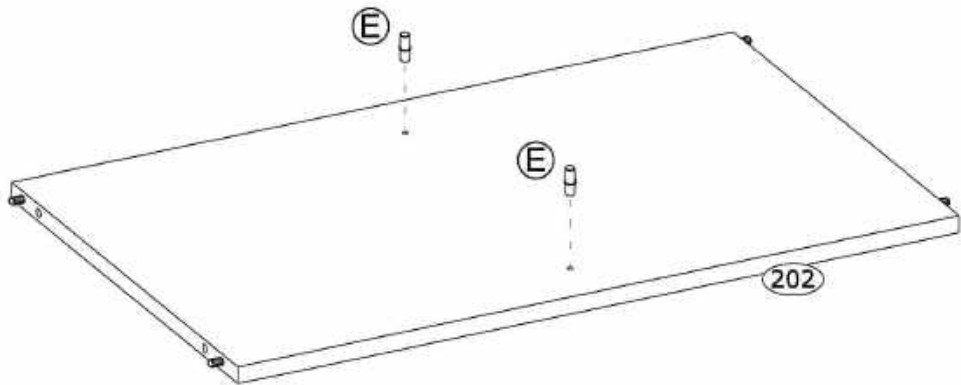
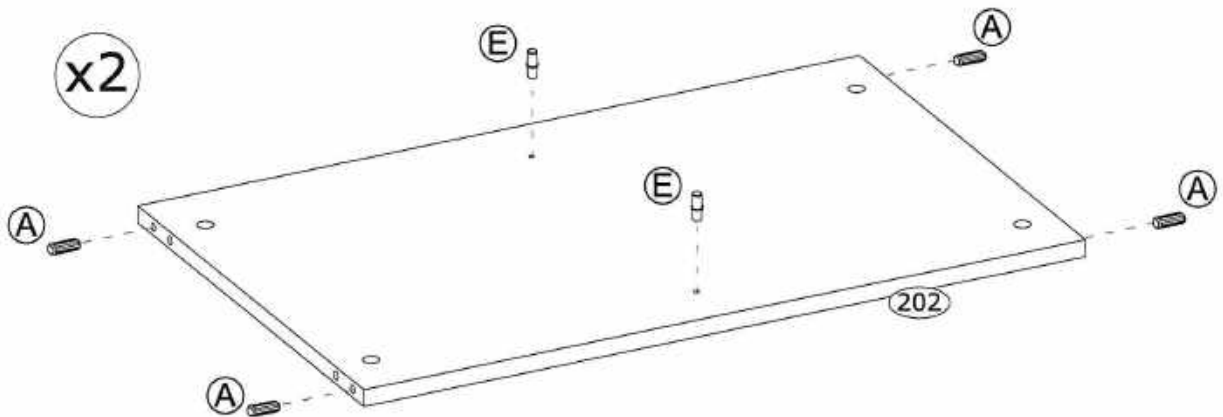
D x 10
Ø6,5x36,5 mm



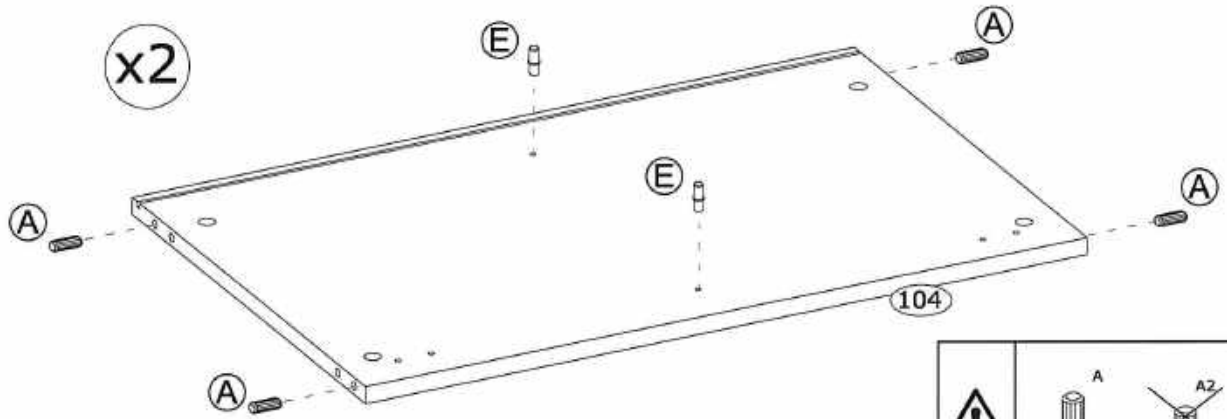
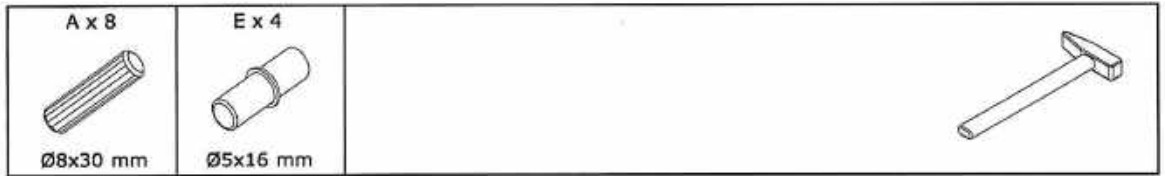
5



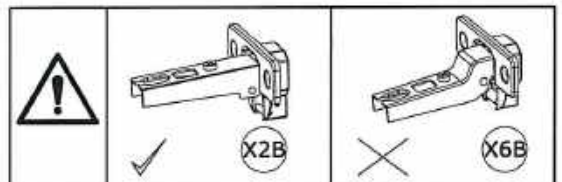
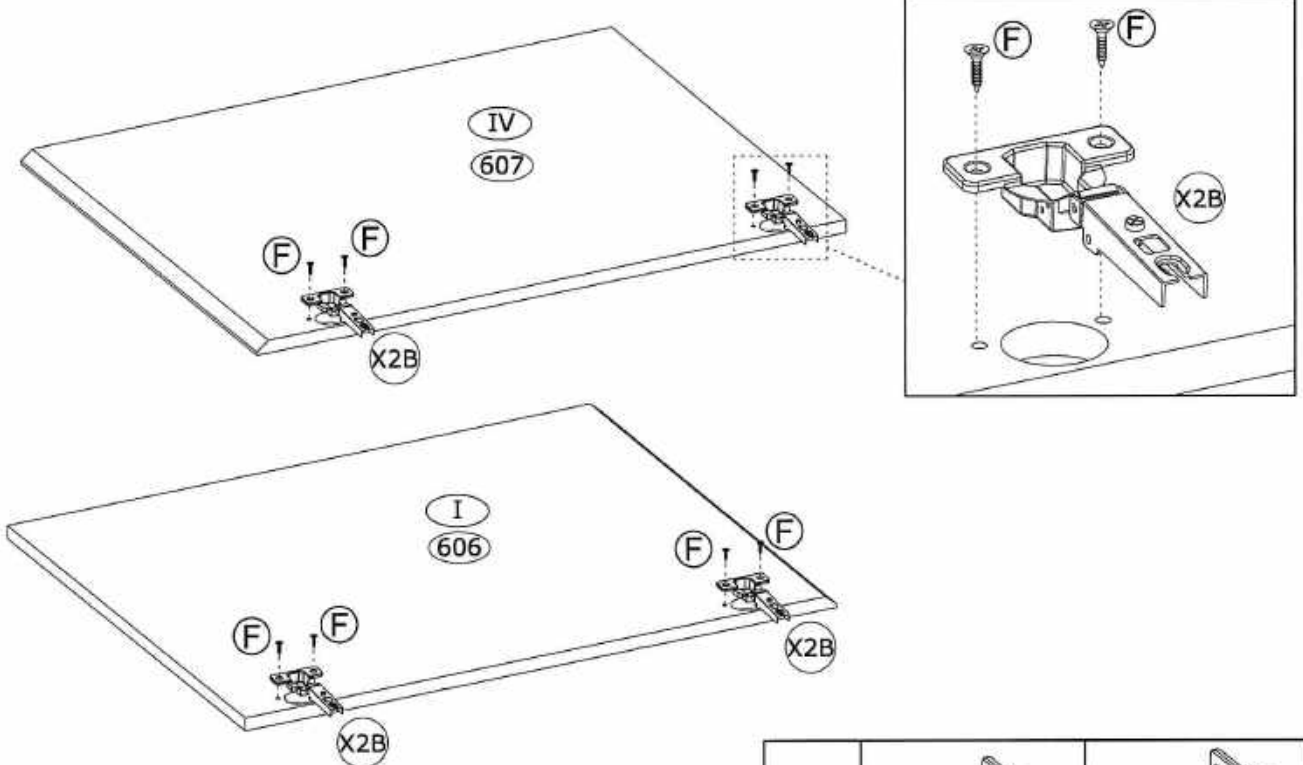
6




7



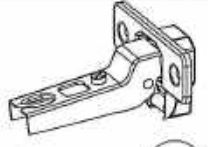


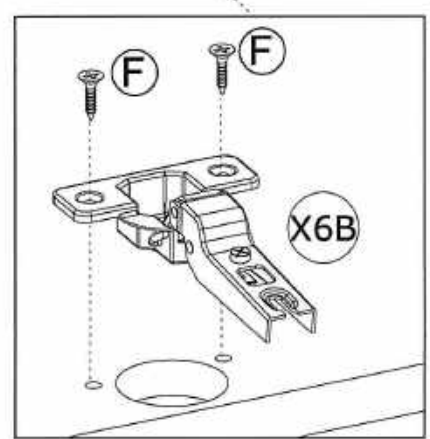
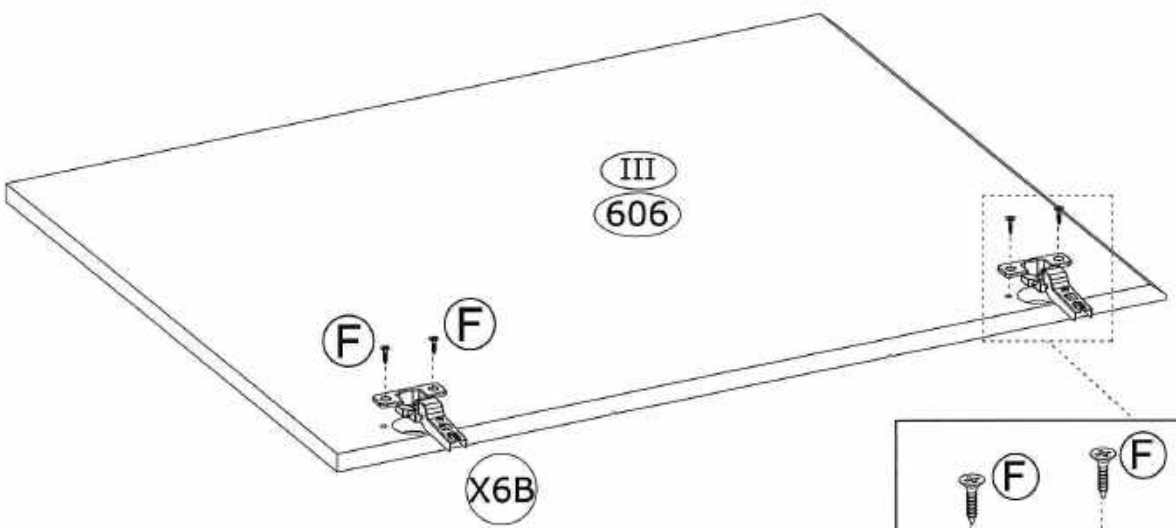
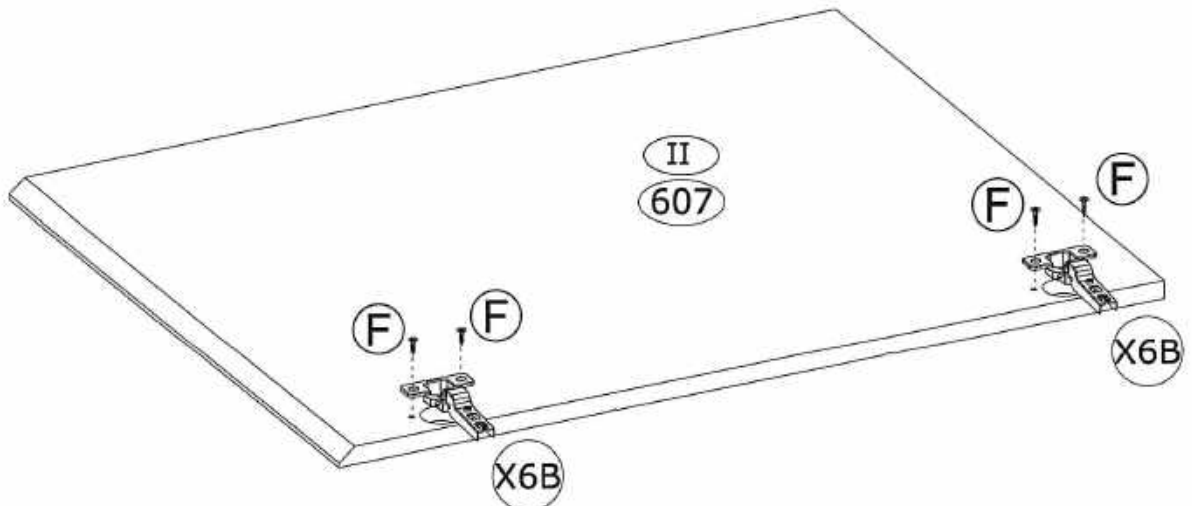
8






9

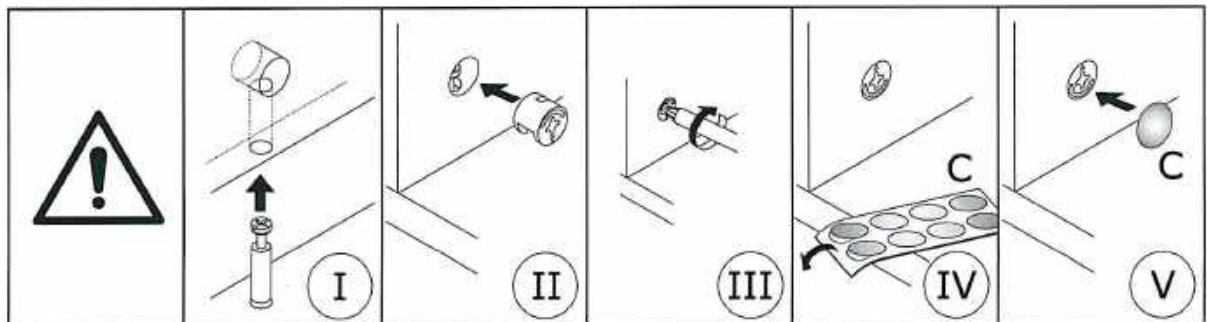
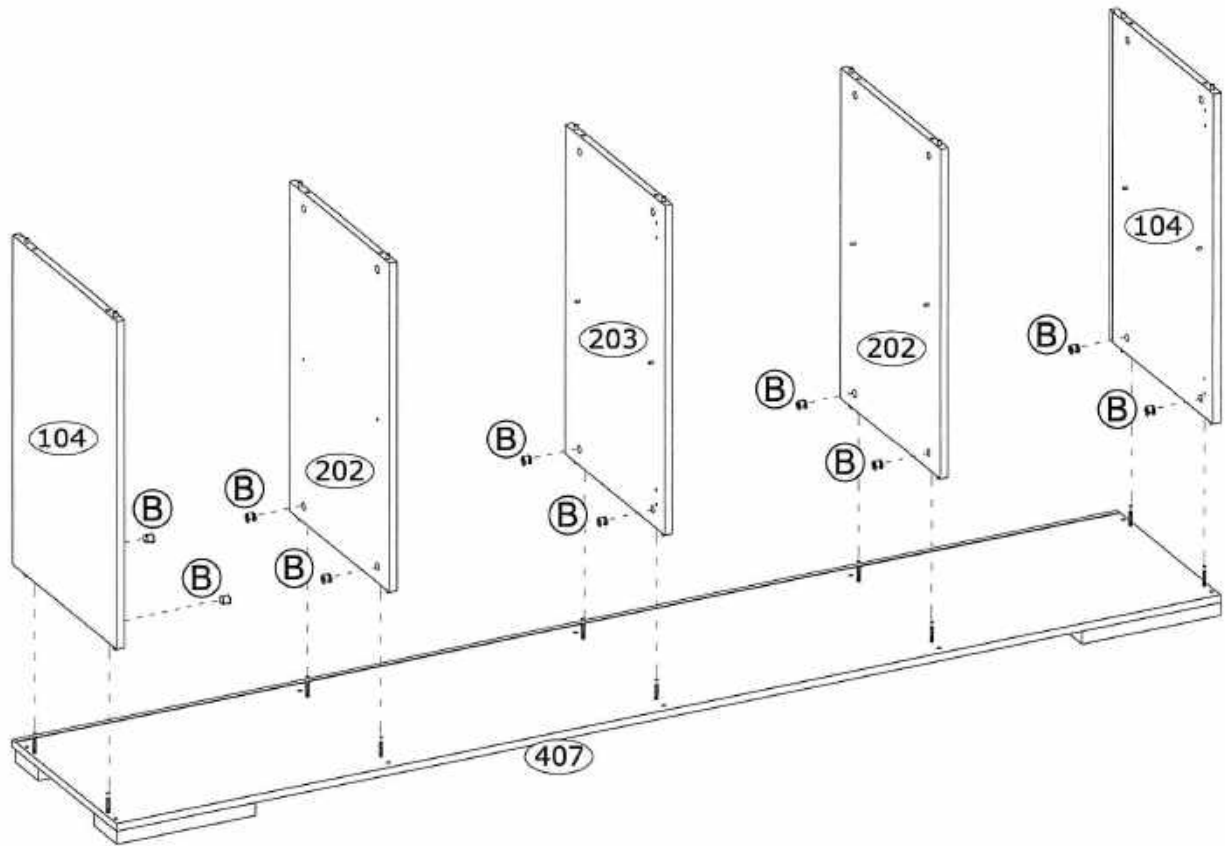
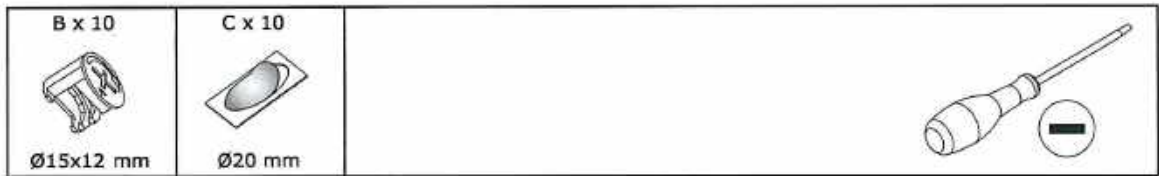
<p>F x 8</p>  <p>Ø3,5x16 mm</p>	<p>X6B x 4</p>  <p>Ø35 mm , KR0</p>	 
--	--	---

	 <p>X2B</p>	 <p>X6B</p>
---	---	--



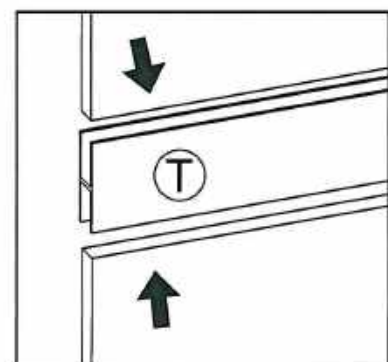
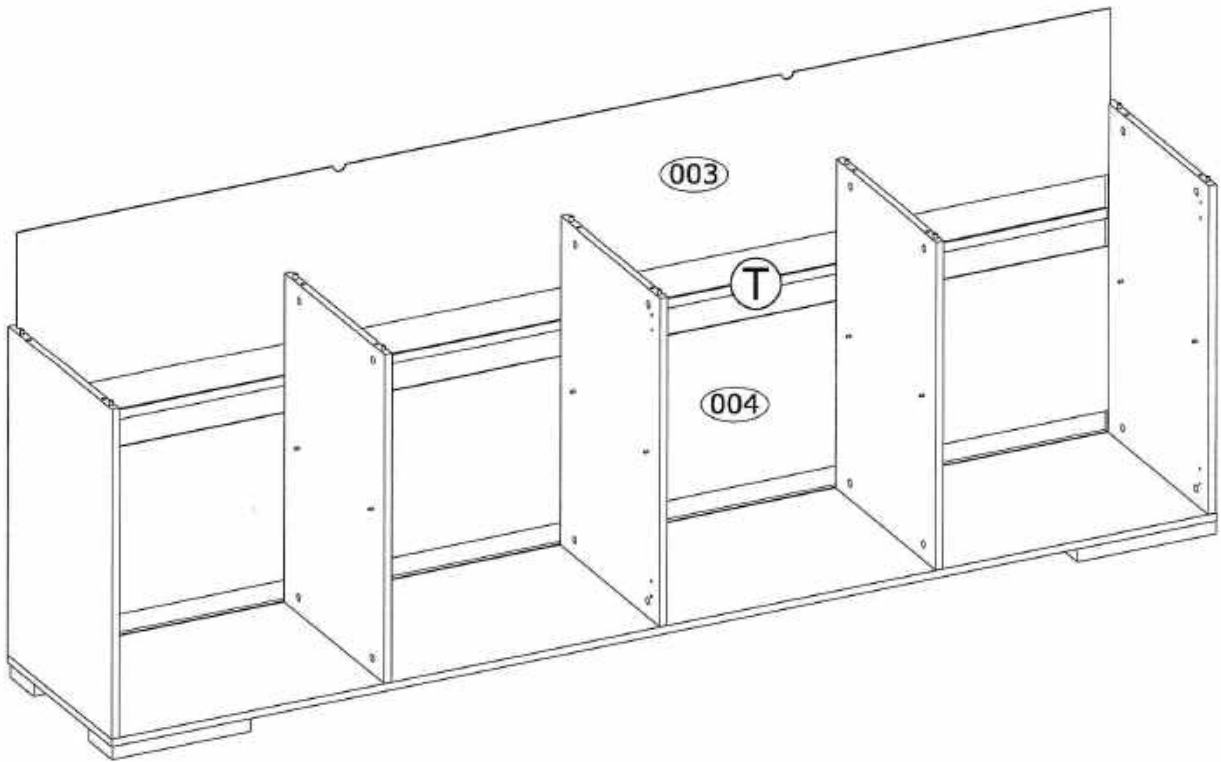
	<p>F</p>  <p>Ø3,5x16 mm</p>	<p>F5</p>  <p>Ø4,0x40 mm</p>
---	--	---

10



11

T x 1
L-2365 mm



12

B x 10

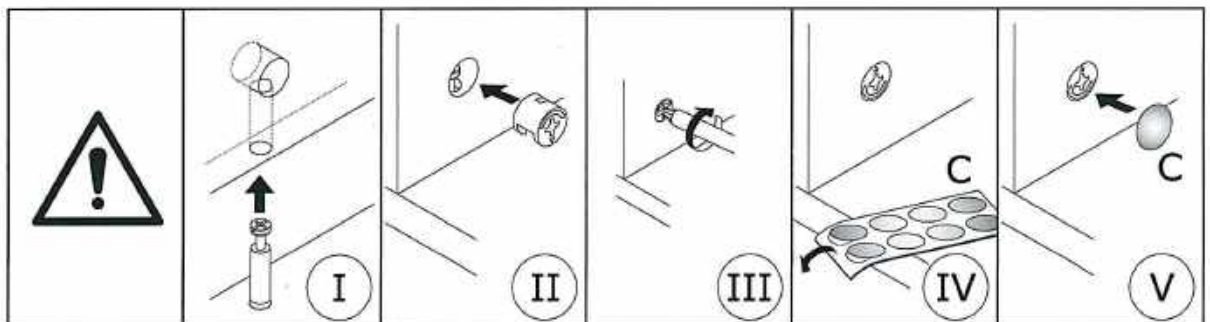
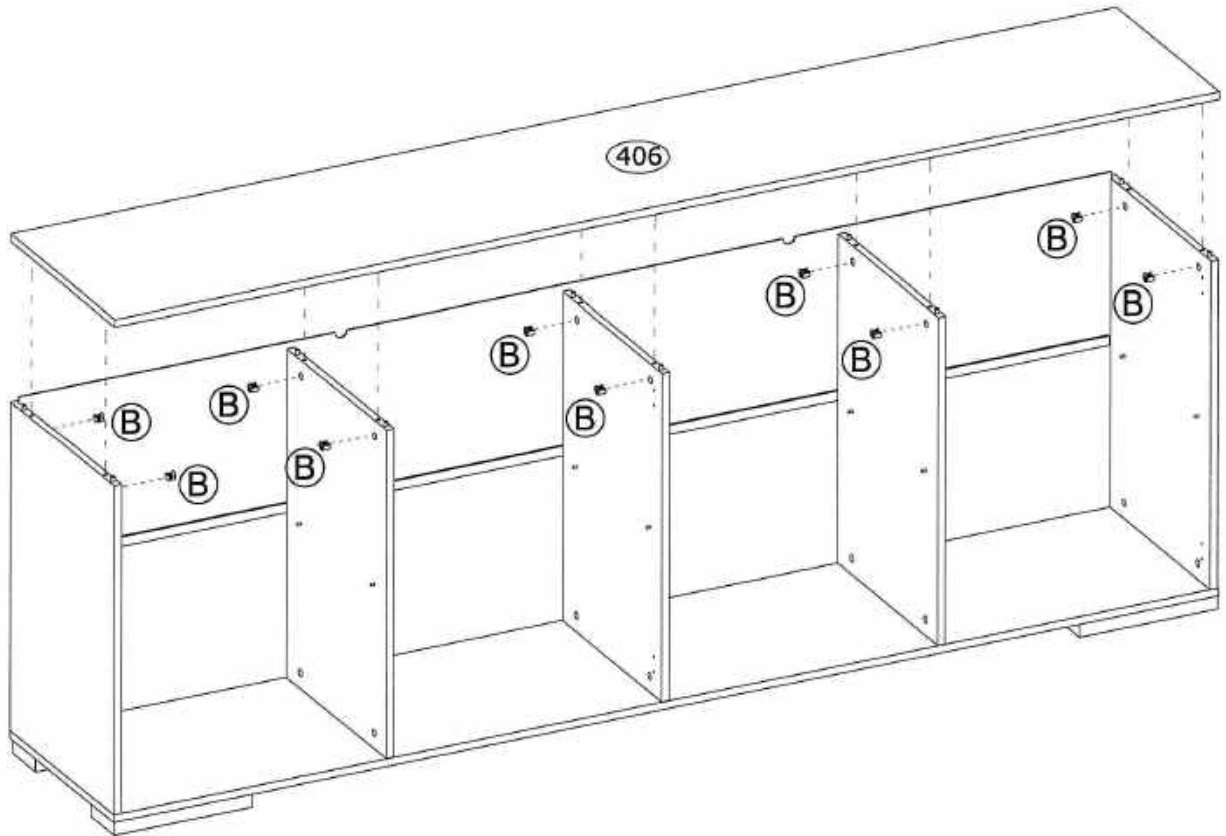
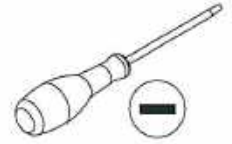


Ø15x12 mm

C x 10



Ø20 mm

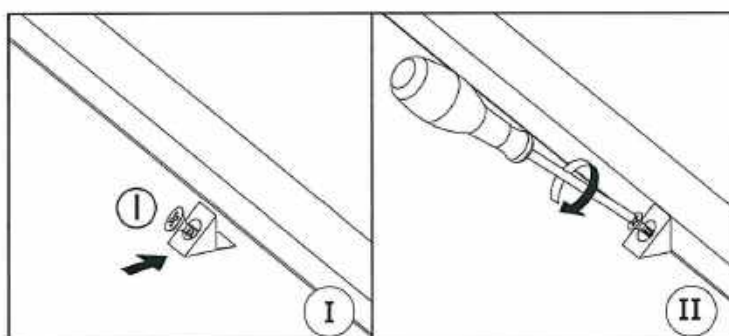
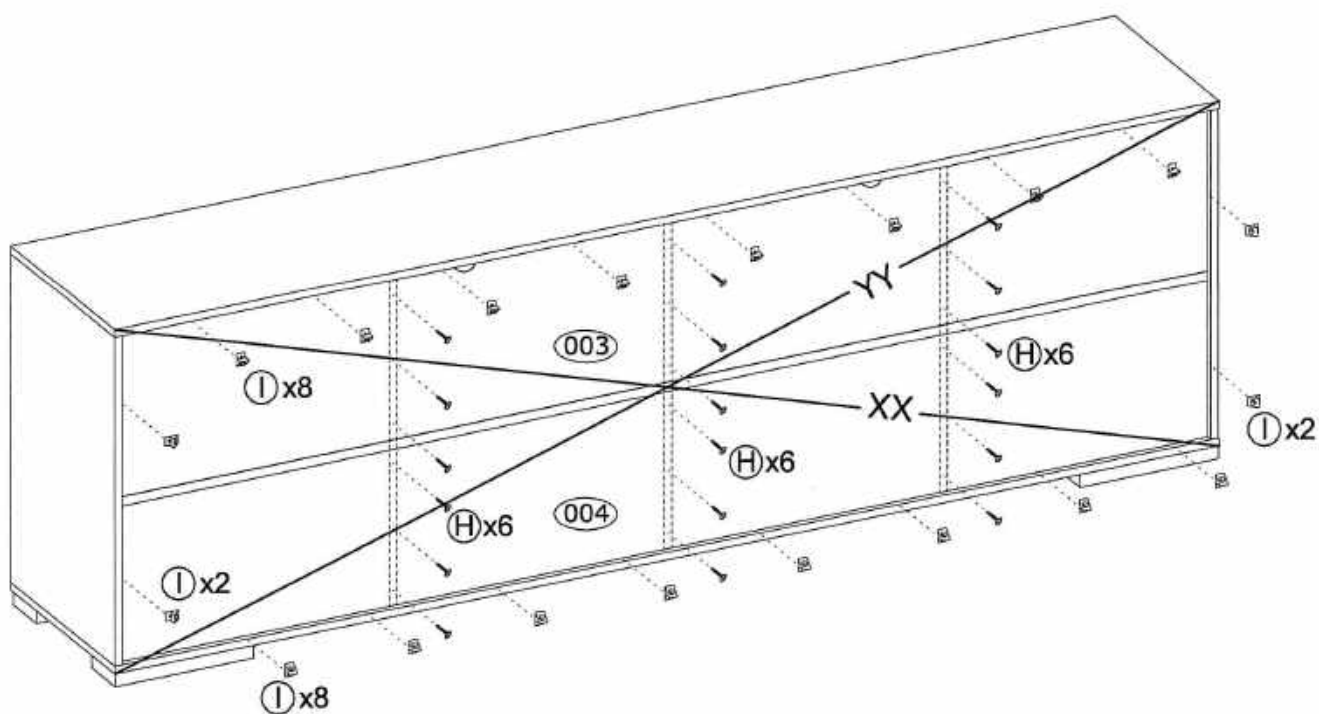


13



I x 20 15x14x11 mm 	H x 18 Ø3,0x20 mm 	
--	---	---

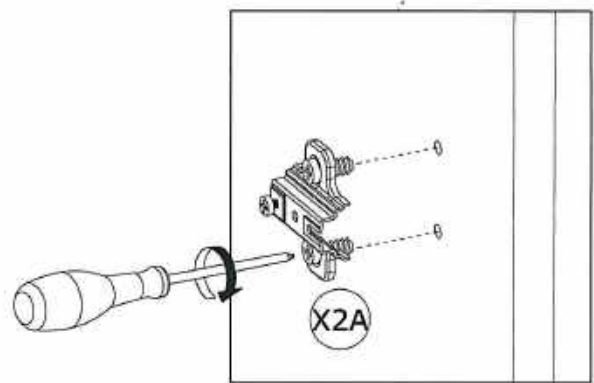
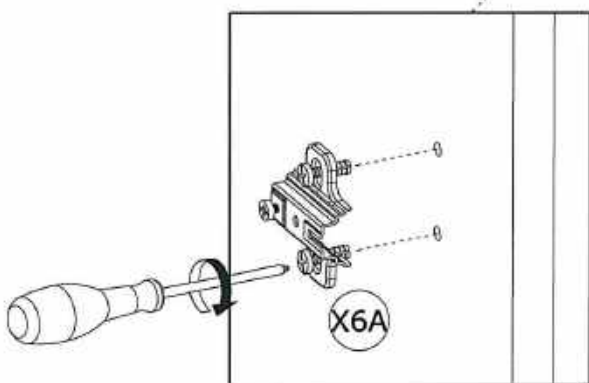
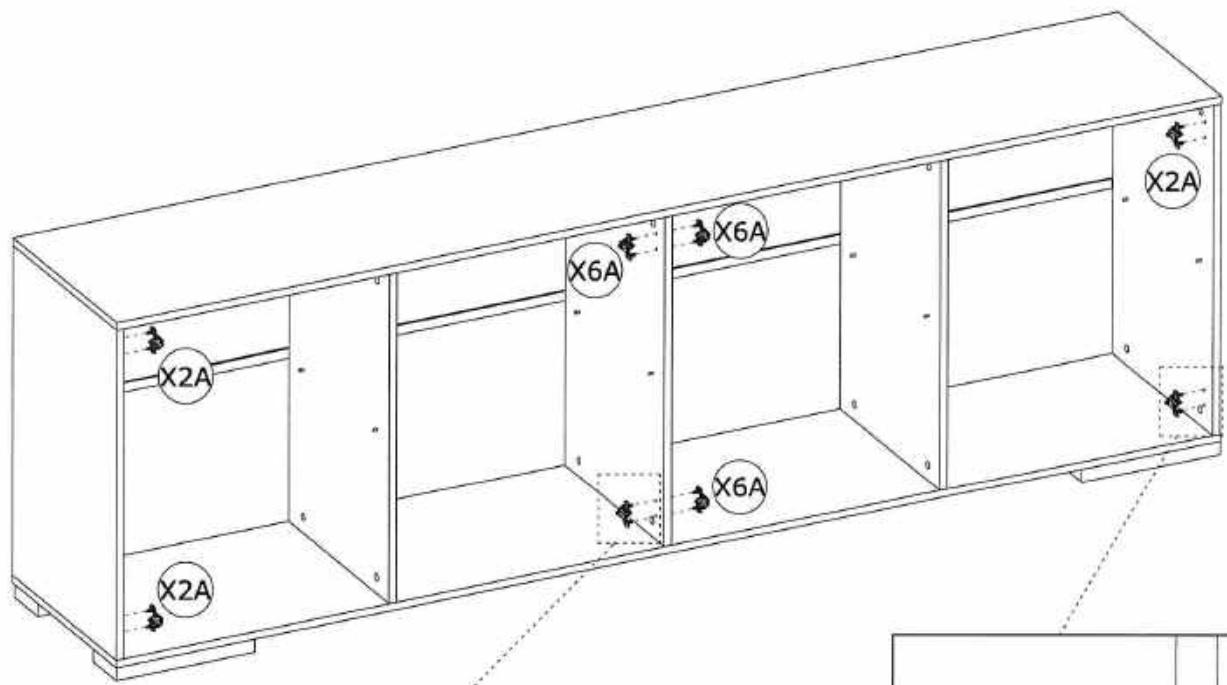
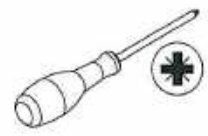


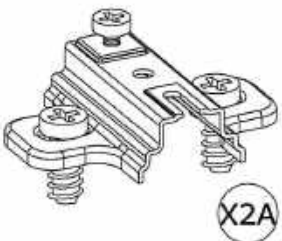
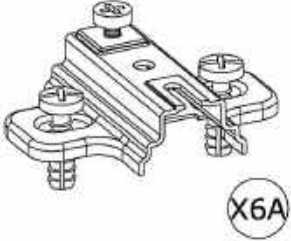
XX=YY



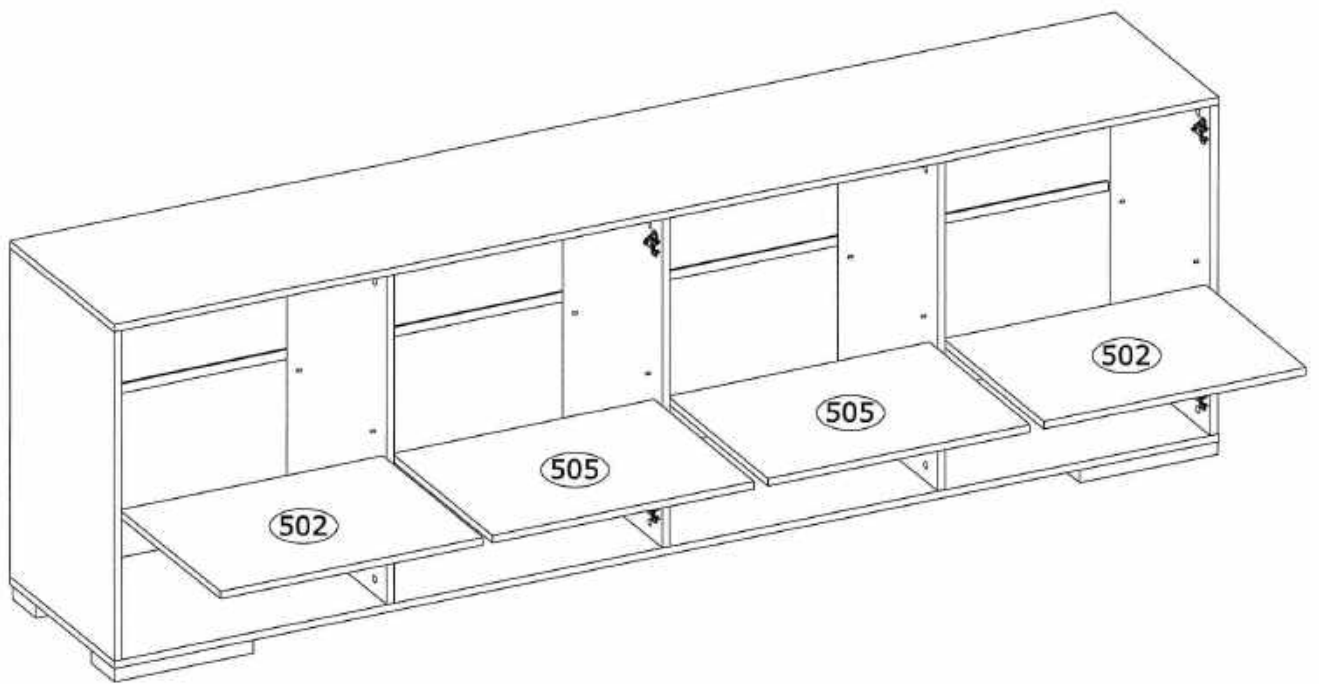
14

X2A x 4  Ø35 mm , KR0	X6A x 4  Ø35 mm , KR0
--	--

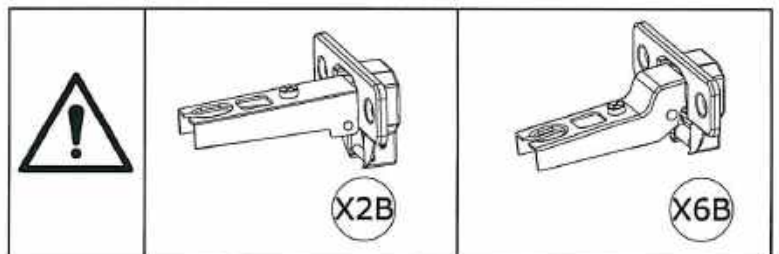
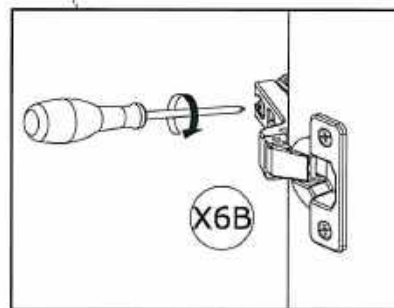
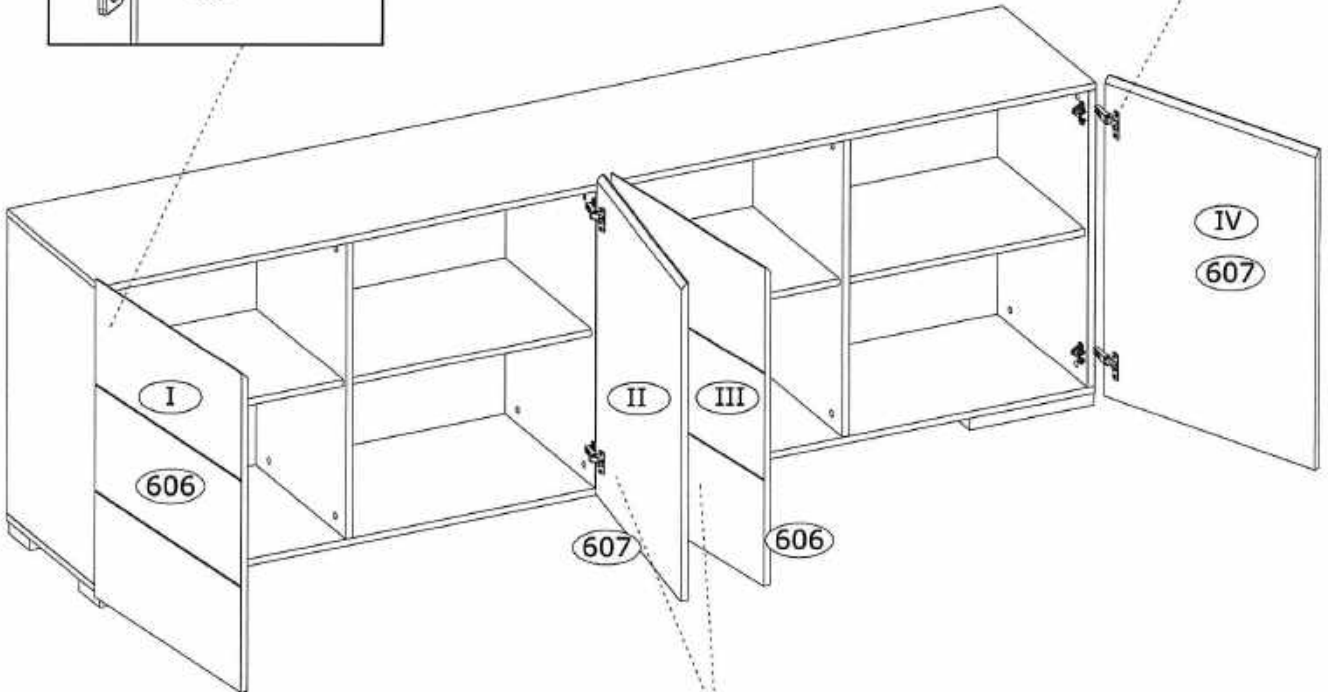
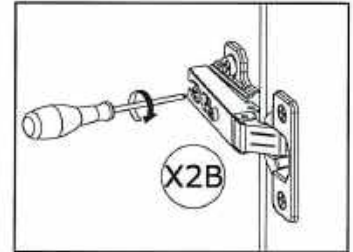
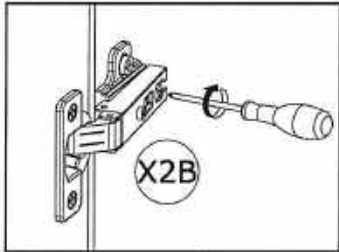
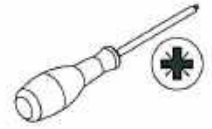


	 X2A	 X6A
--	---	--

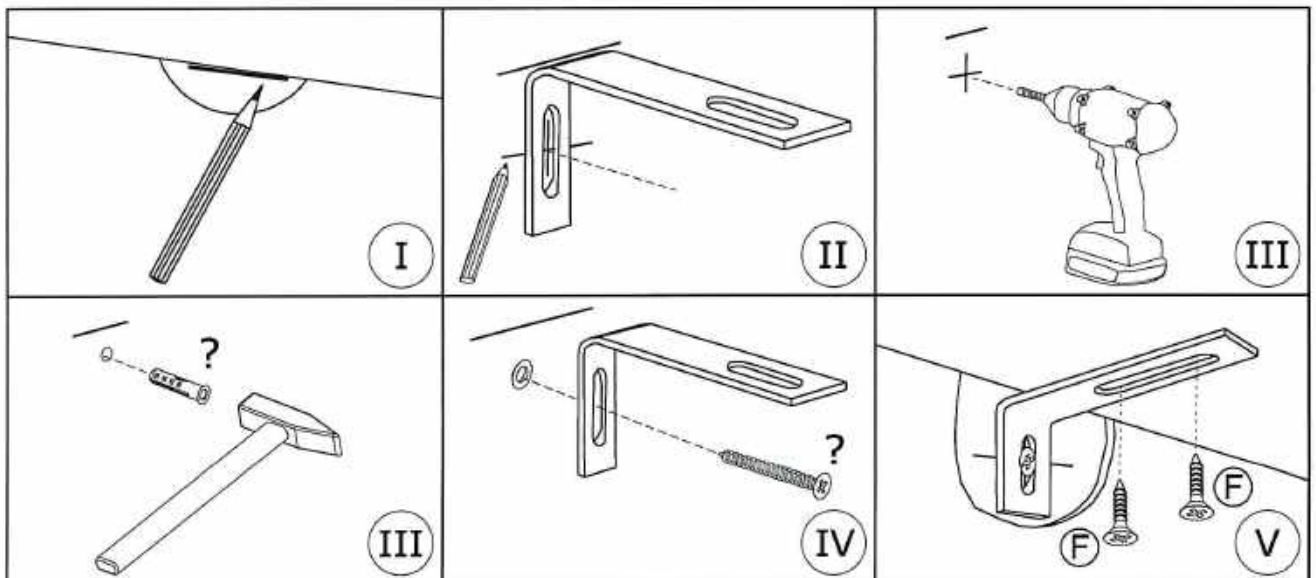
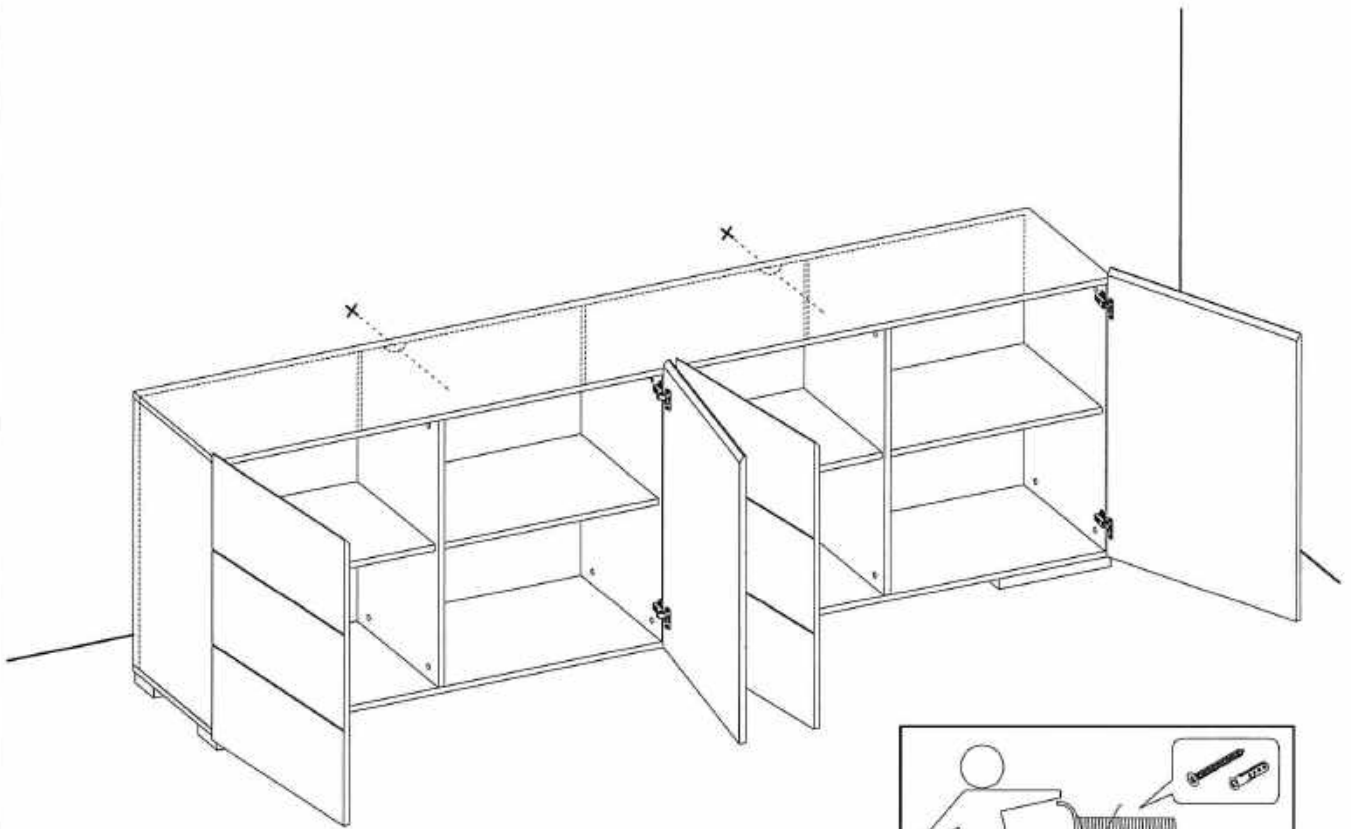
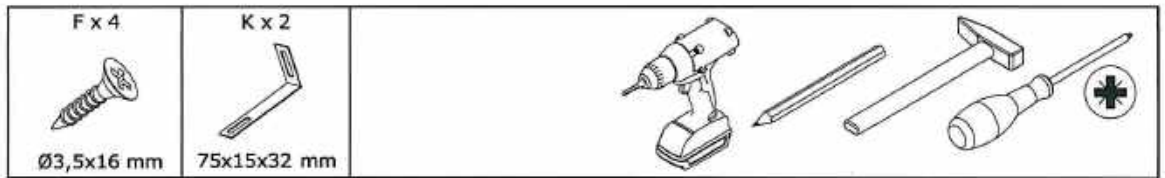
15



16



17



18

