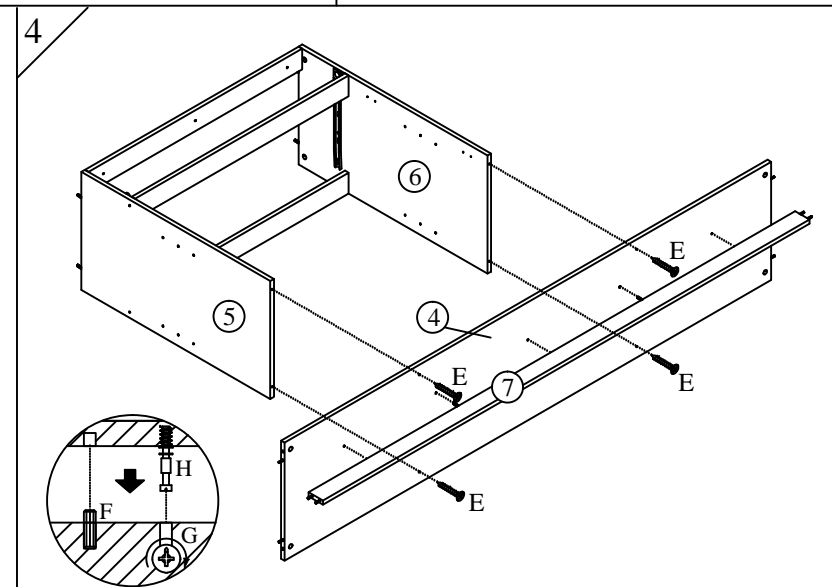
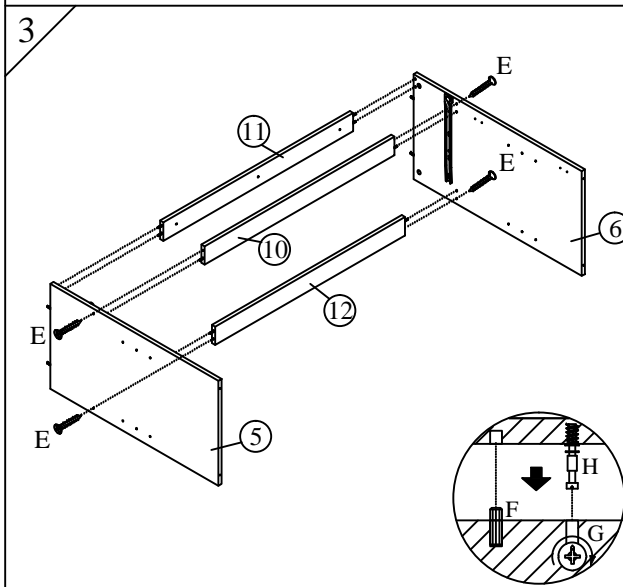
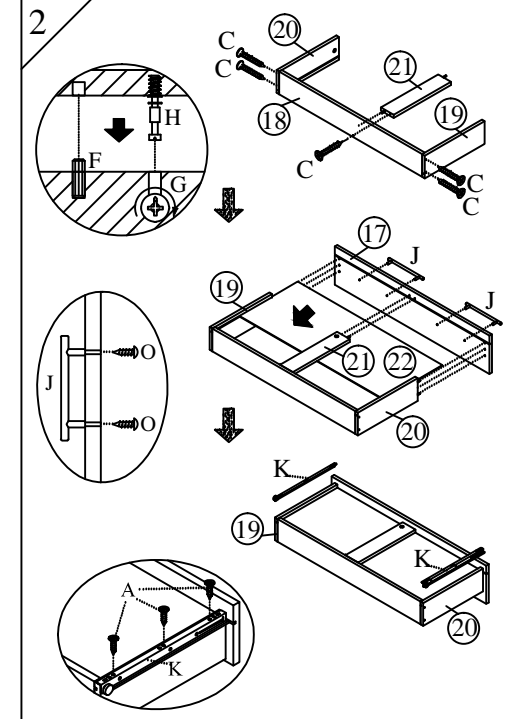
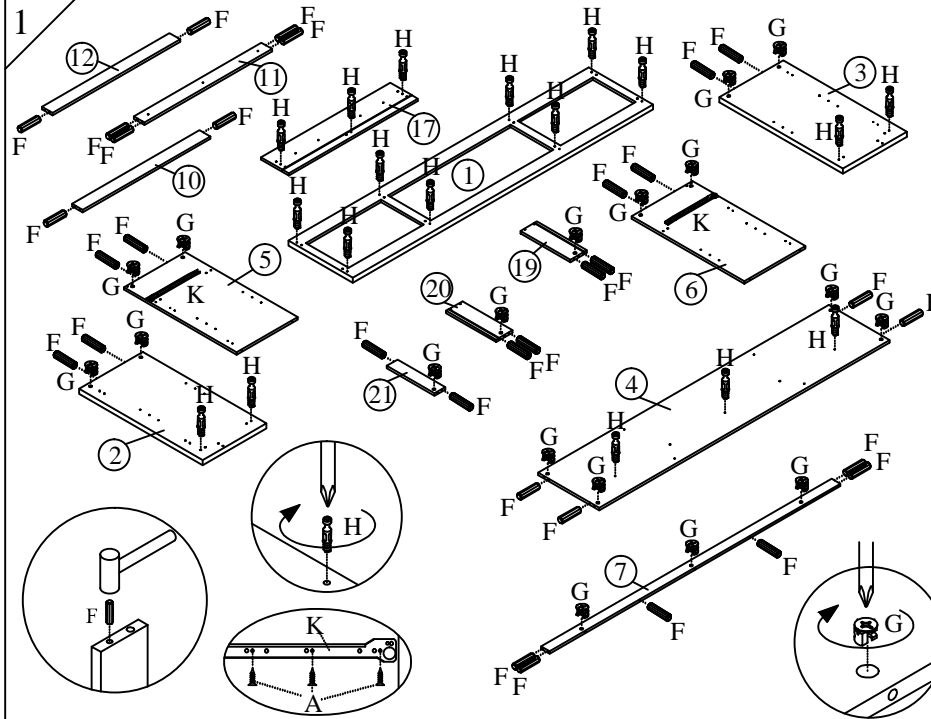
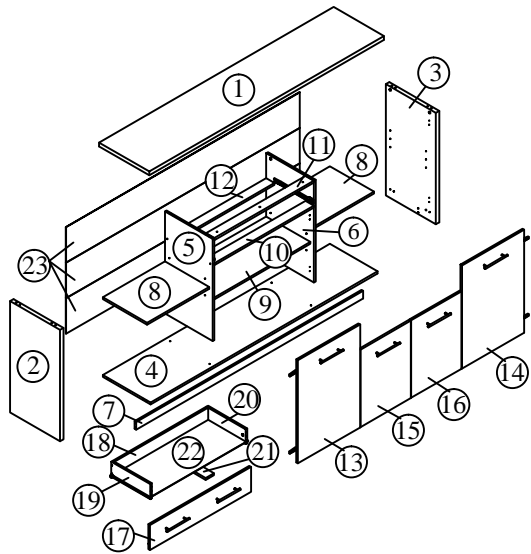


Model	DN STC 201 524	Issue Date	30 - 10 - 2017	Draw By	SITI NURHIDAYU ABDUL JABAR	Approved By / Date	
Form No	P13-RD-05-Rev01	Revision	STC 1.0	Checked By	CK TAY	Sheet	01 / 02
Description	Assembly Instructions						



A	CSK SCREW M3.5 x 12 mm	12
B	CSK SCREW M3.5 x 16 mm	32
C	CSK SCREW M4 x 38 mm	5
D	CSK SCREW M4 x 25 mm	3
E	CSK SCREW M4 x 45 mm	8
F	WOOD DOWEL M6 x 25 mm	32
G	CAM NUT 15 mm	18
H	CAM BOLT	18
I	METAL SHELF SUPPORT	12
J	HANDLE BAR 8" PVC	6
K	METAL RUNNER 14"	1
L	HINGES 7/8"	4
M	HINGES 2/8"	4
N	NAIL	42
O	CSK SCREW M4 x 30 mm	12
P	PVC NAIL 5/8"	7

Model	DN STC 201 524	Issue Date	30 - 10 - 2017	Draw By	SITI NURHIDAYU ABDUL JABAR	Approved By / Date	
Form No	P13-RD-05-Rev01	Revision	STC 1.0	Checked By	CK TAY	Sheet	02 / 02
Description	Assembly Instructions						

