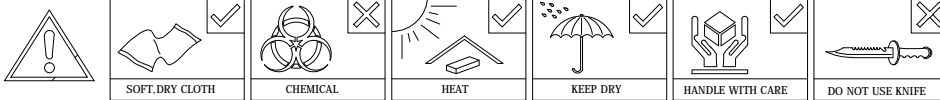
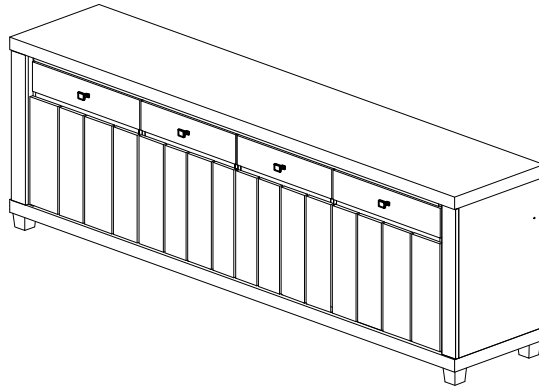


ASSEMBLY INSTRUCTION

SB 19022-S5V - EUREKA SIDE BOARD

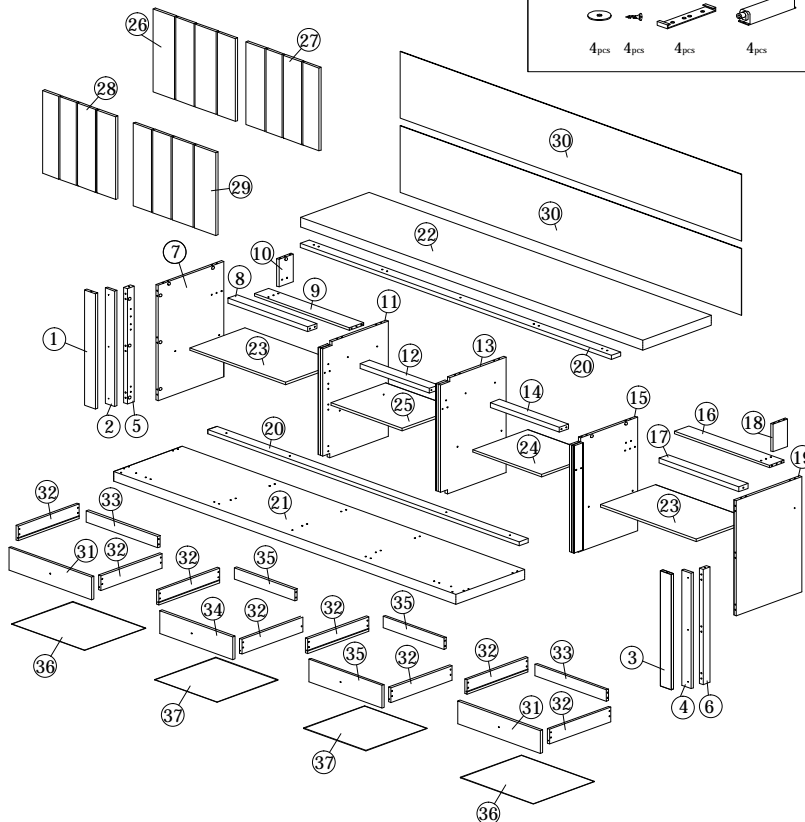
- ~ Before assembly, please read the instructions ~
- ~ Keep these instructions for future reference ~
- ~ Follow these steps to assemble the product ~



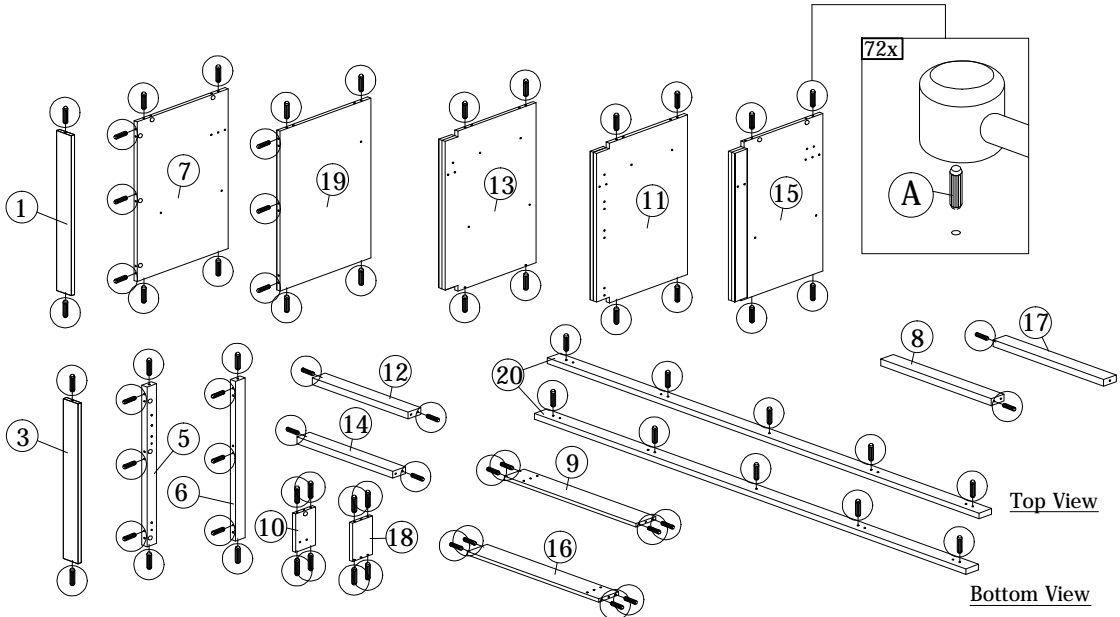
HARDWARE	A	B	C	D	E	F	G	H	I	J	K1	K2	L	M	N1	N2	O	P	P1	P2
PLASTIC DOWEL 8X25	CB SCREW M3.5X12	CB SCREW M3.5X16	CB SCREW M3.5X20	CB SCREW M4X30	CB SCREW M4X35	CB SCREW M4.5X45	CSK CAP M6X40	CSK CAP M6X50	CSK CAP M6X70	MINIFIX 5654 (HOUSING)	MINIFIX 5654 (SCREW)	METAL SHELF SUPPORT	CAP	DRAWER SLIDE 16" (WHITE)-A	DRAWER SLIDE 16" (WHITE)-B	HINGES 5/8"	SMALL SQUARE HANDLE(20MM) - BLACK	HANDLE SCREW M4X35		
72 pcs	48 pcs	48 pcs	6 pcs	6 pcs	32 pcs	14 pcs	6 pcs	8 pcs	10 pcs	32 pcs	32 pcs	16 pcs	45 pcs	8 pcs	8 pcs	8 pcs	4 pcs	4 pcs		

Q	R	S	T	U	V
PUSH MAGNET	POWER NAIL 5/8"	PVC SOFA LEG (H70mm) - BLACK	ABS DRAWER PIN (15MM)	ALLEN KEY	CB SCREW M4X25
Q1 Q2 Q3 Q4	168 pcs	7 pcs	3 pcs	1 pc	28 pcs

PART LIST



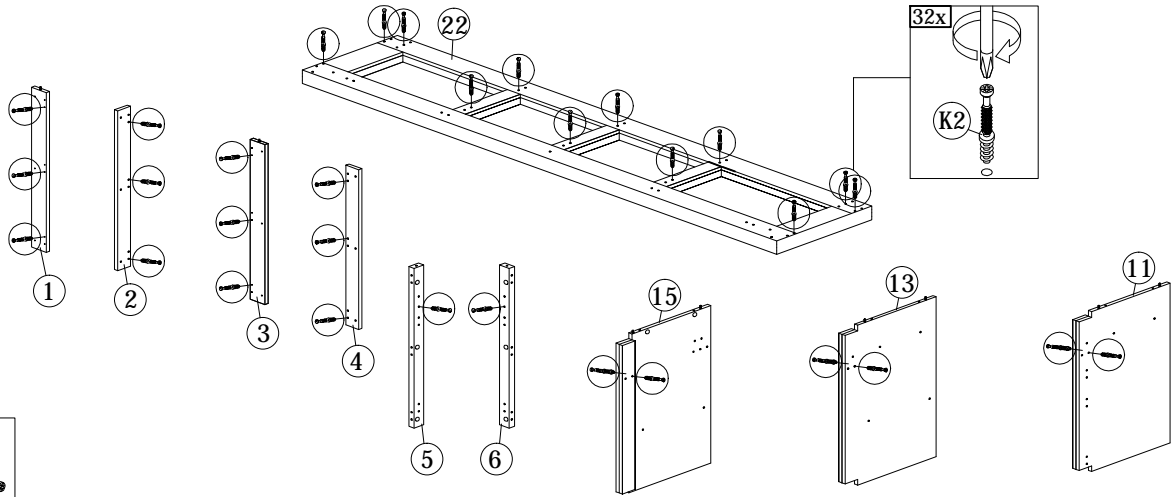
Step 1



A

 PLASTIC
 DOWEL
 8x25
 72pcs

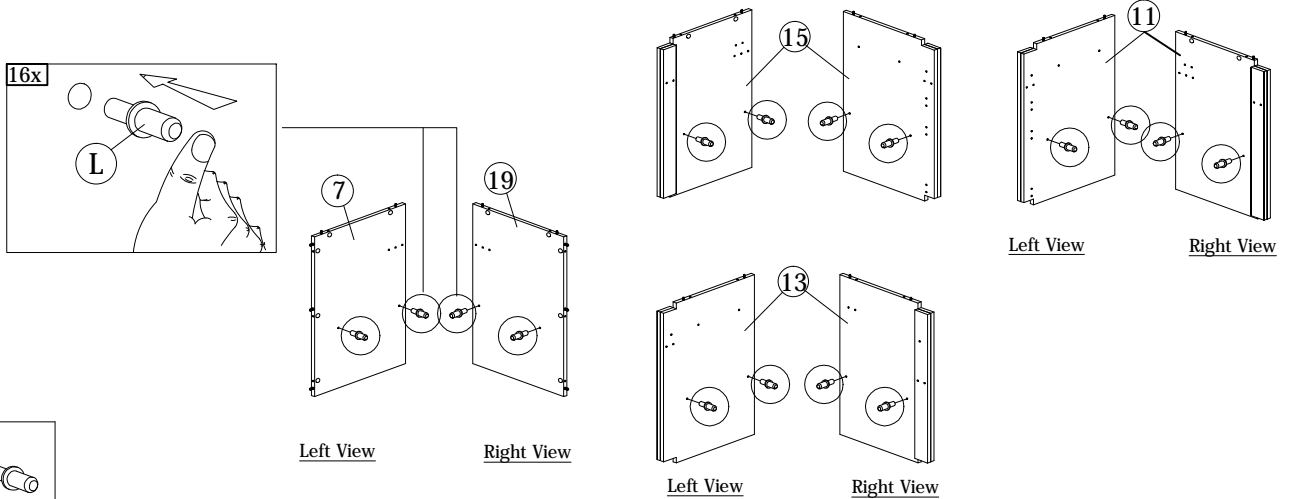
Step 2



K2

 MINIFIX
 3054
 (SCREW)
 32pcs

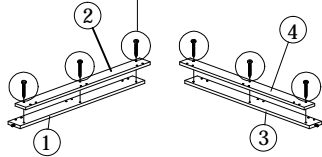
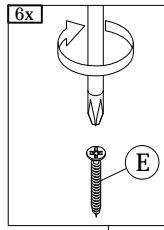
Step 3



L

 METAL
 SHELF
 SUPPORT
 16pcs

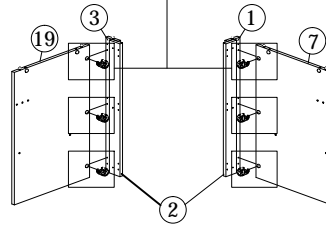
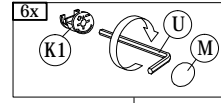
Step 4




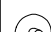

E

CB SCREW M4X30 6pcs

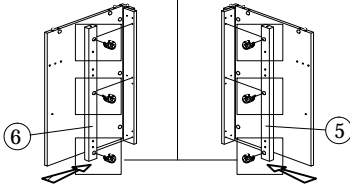
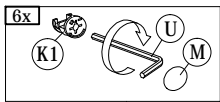
Step 5






Back View

K1	M	U
		
MINIFIX 5854 (HOUSING) 6pcs	CAP 6pcs	ALLEN KEY 1pc

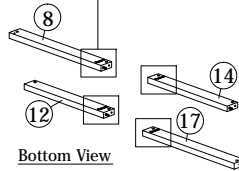
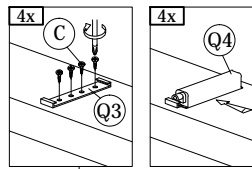
Step 6





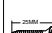
Back View

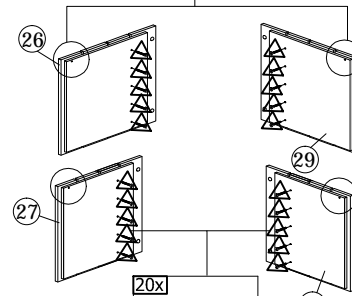
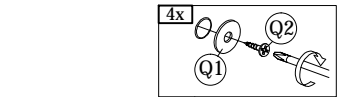
K1	M	U
		
MINIFIX 5854 (HOUSING) 6pcs	CAP 6pcs	ALLEN KEY 1pc

Step 7



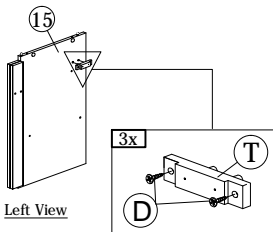
Bottom View

C	Q	V
		
CB SCREW M2.5X16 16pcs	PUSH MAGNET Q1 Q2 Q3 Q4 4pcs 4pcs 4pcs 4pcs	CB SCREW M4X25 20pcs

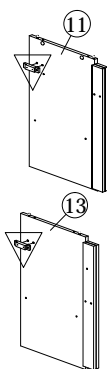


Inside View



Step 8



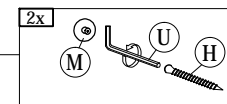
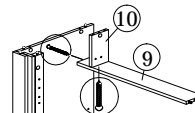
Left View

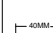
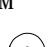
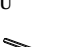


Right View

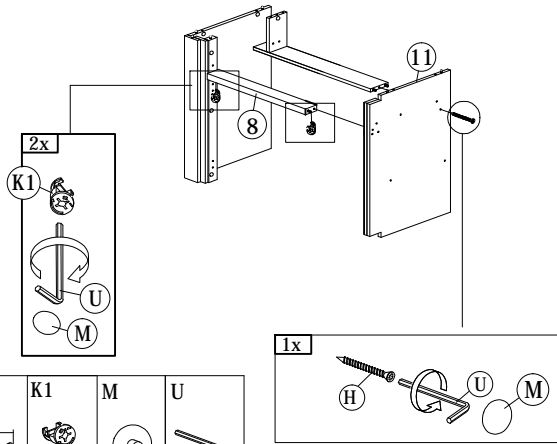
D	T
	
CB SCREW M3.5X20 6pcs	ABS DRAWER PIN (20MM) 3pcs

Step 9



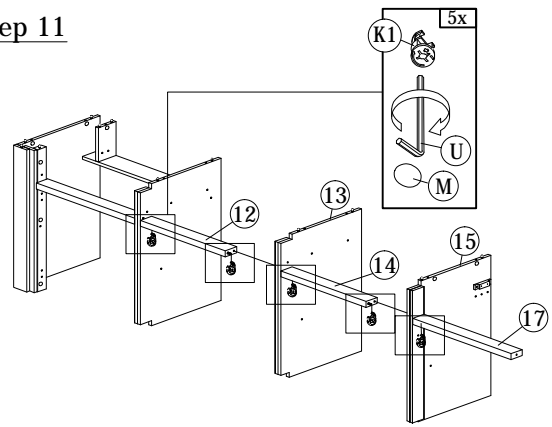
H	M	U
		
CSK CAP M6X40 2pcs	CAP 2pcs	ALLEN KEY 1pc

Step 10



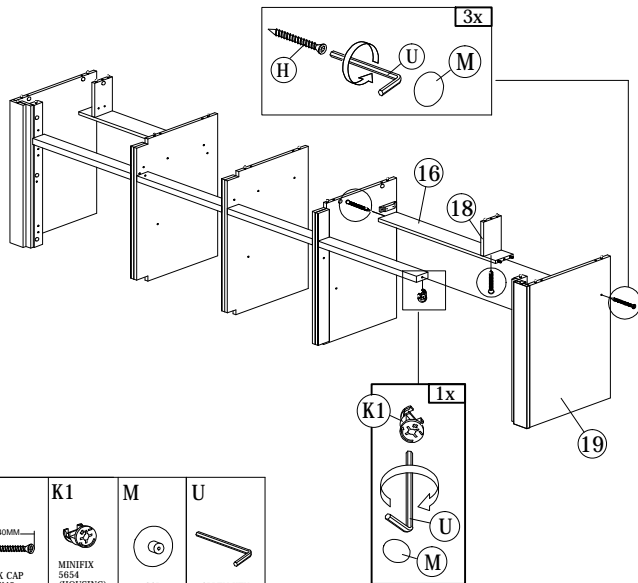
H	K1	M	U
1pc	2pcs	3pcs	1pc

Step 11



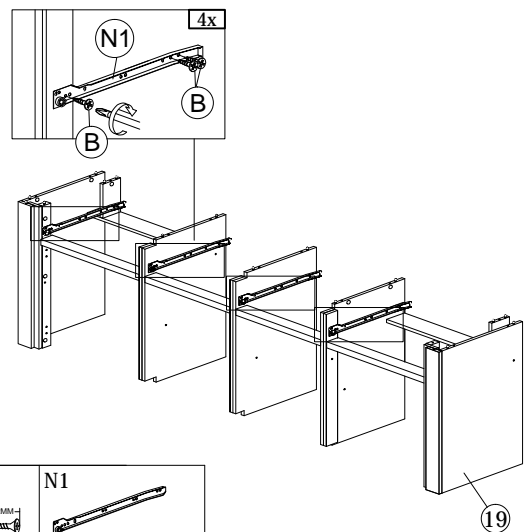
K1	M	U
5pcs	5pcs	1pc

Step 12



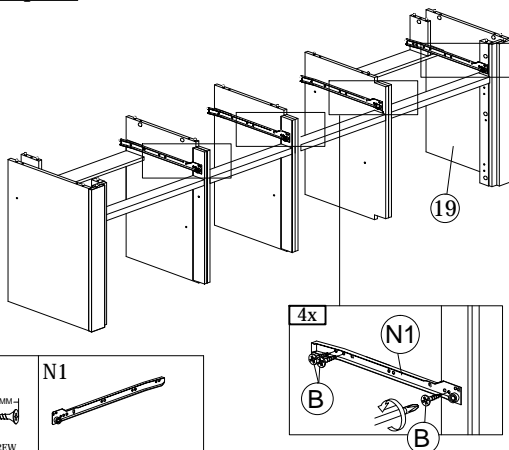
H	K1	M	U
3pcs	1pc	4pcs	1pc

Step 13



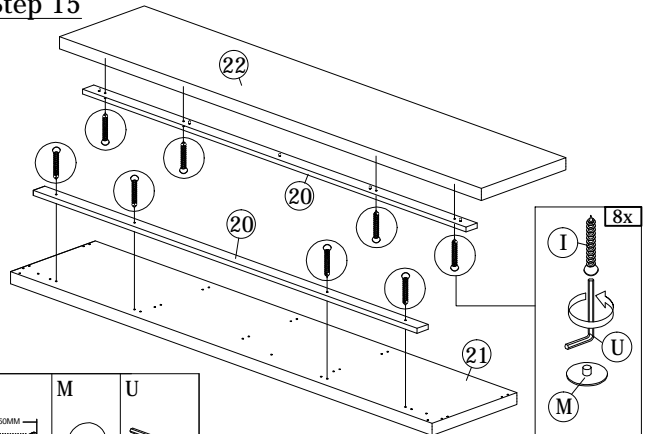
B	N1
12pcs	4pcs

Step 14



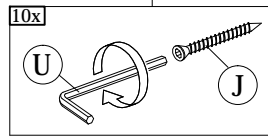
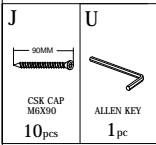
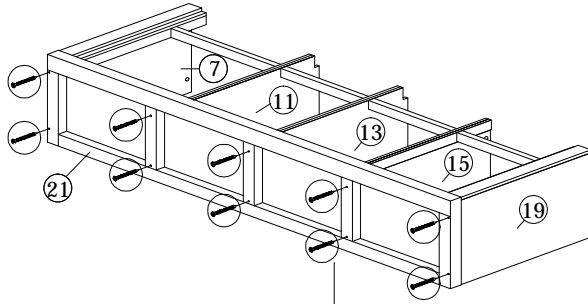
B	N1
12pcs	4pcs

Step 15

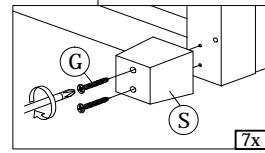
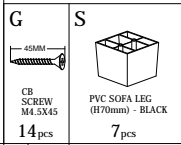
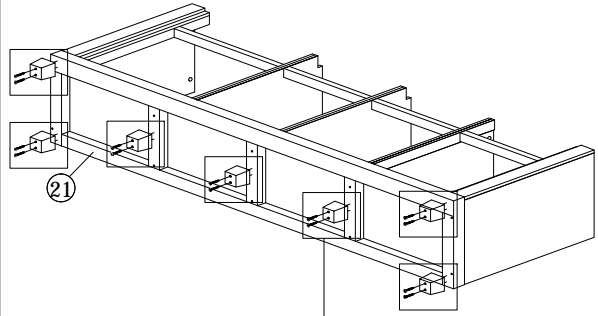


I	M	U
8pcs	8pcs	1pc

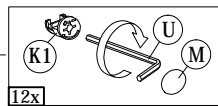
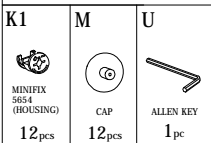
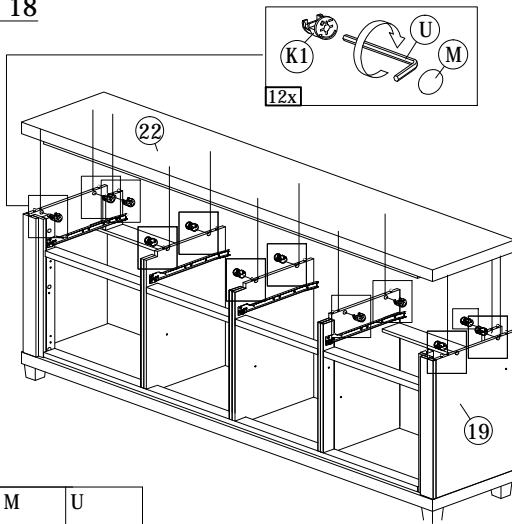
Step 16



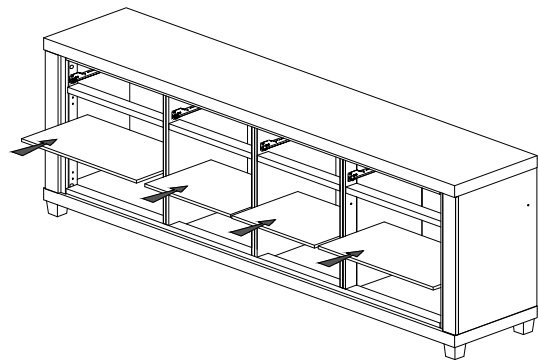
Step 17



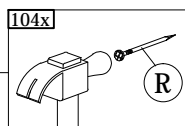
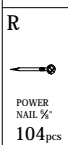
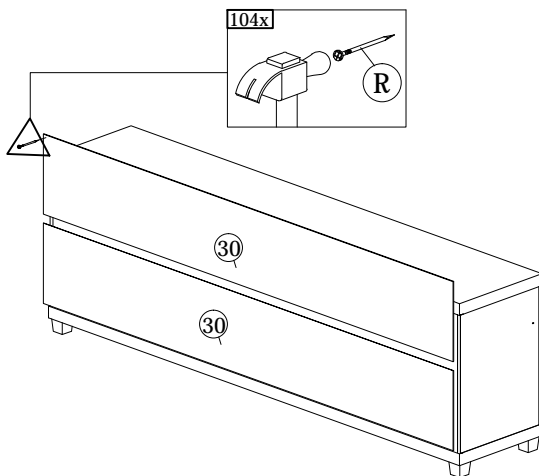
Step 18



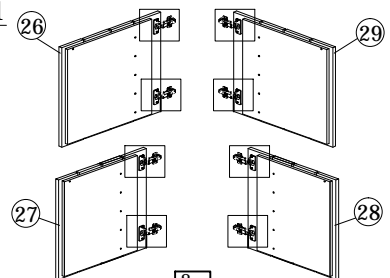
Step 19



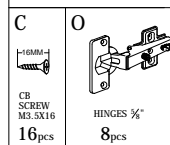
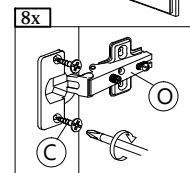
Step 20



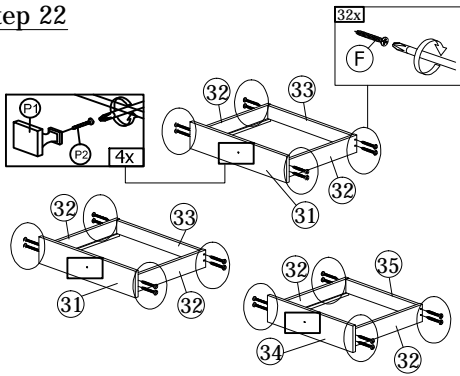
Step 21



Inside View

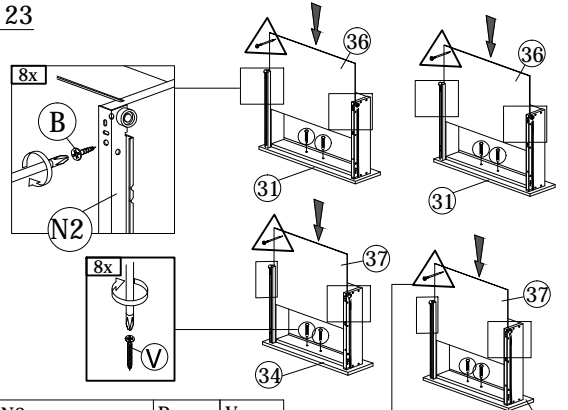


Step 22



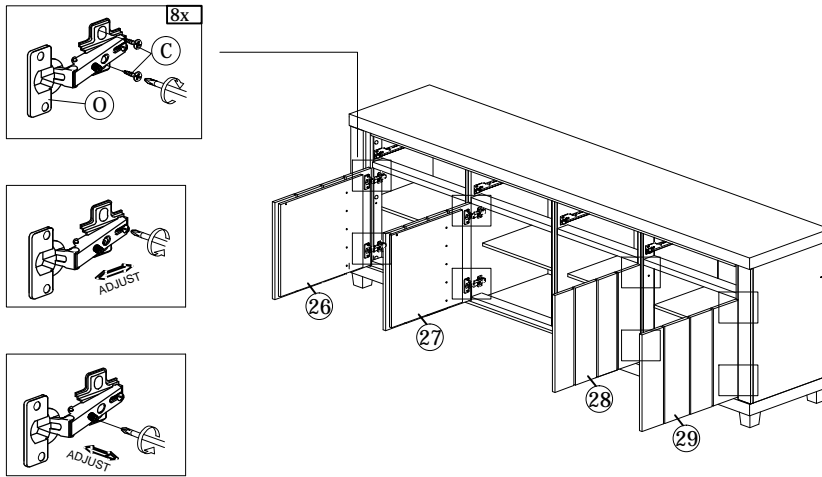
F CB SCREW M4X35 32 pcs	P1 SMALL SQUARE HANDLE(20MM) - BLACK 4 pcs	P2 HANDLE SCREW M4X35 4 pcs
---	--	---

Step 23



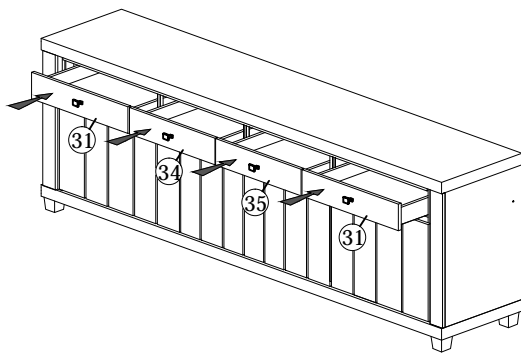
B CB SCREW M3.5X12 24 pcs	N2 DRAWER SLIDE 16" (WHITE)-B 8 pcs	R POWER NAIL 1/4" 64 pcs	V CB SCREW M4X25 8 pcs
---	--	---------------------------------------	--

Step 24



C CB SCREW M3.5X16 16 pcs

Step 25



Completed

