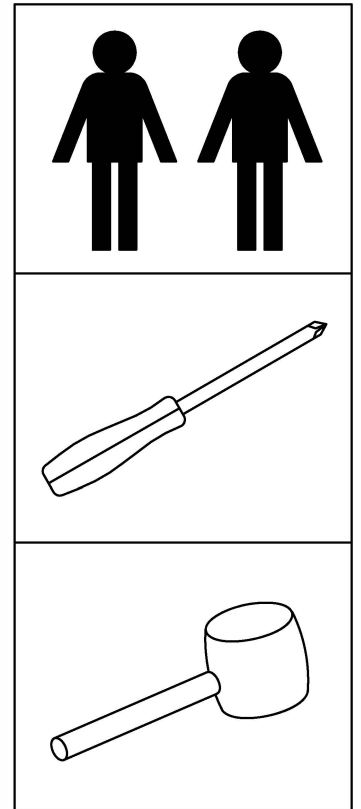
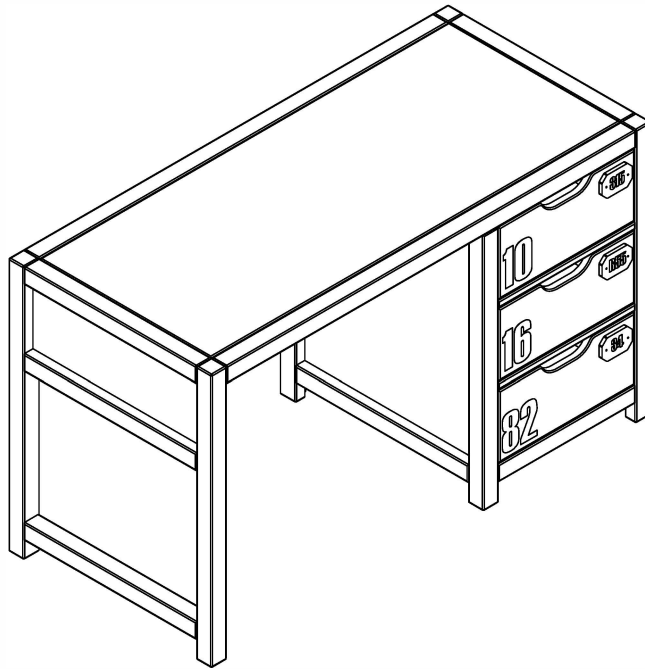


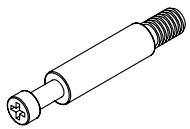
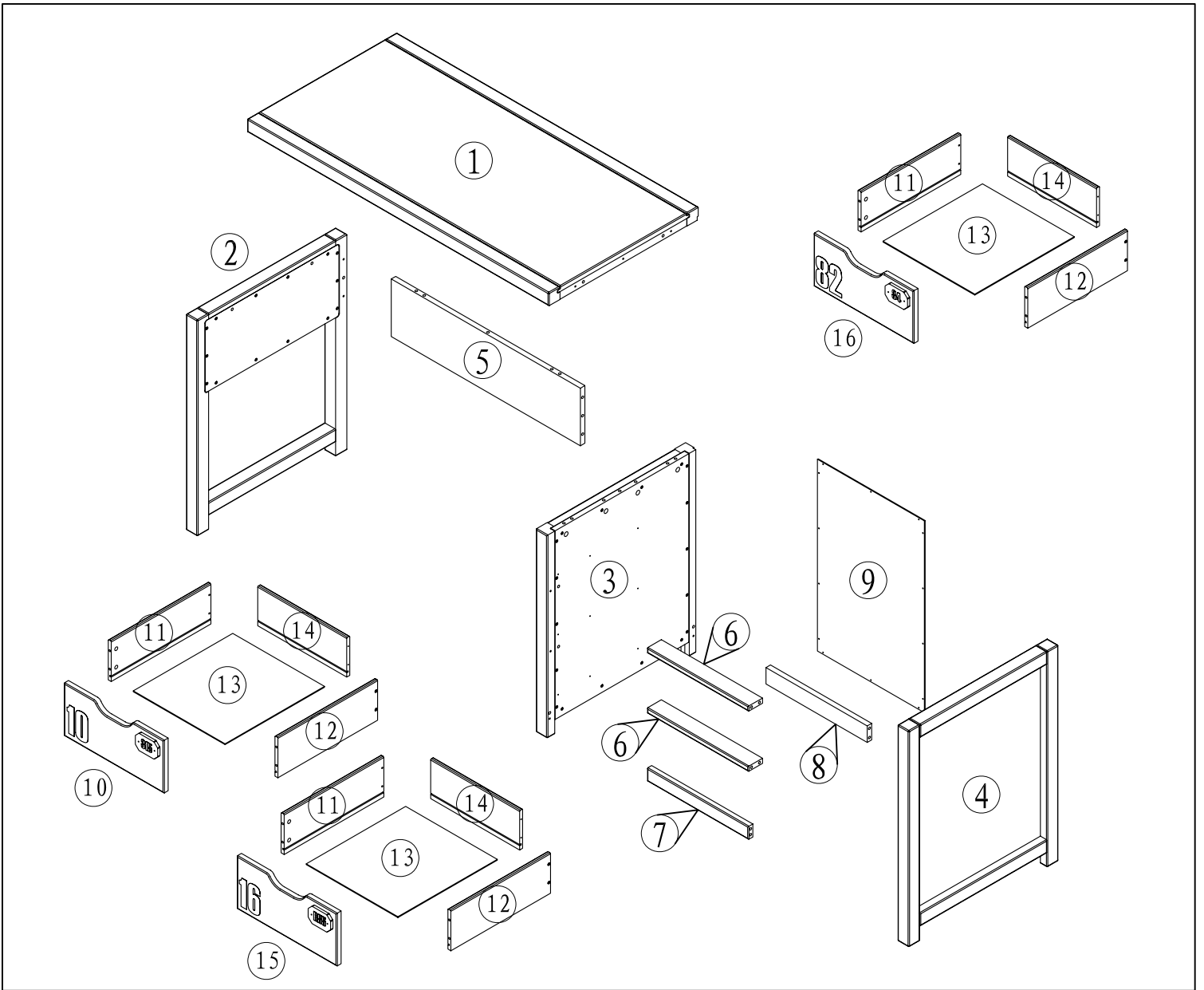
ALEX DESK

AXBU1319

MONTAGE AANWIJZING
NOTICE DE MONTAGE
MONTAGE ANLEITUNG
ASSEMBLY INSTRUCTIONS



RD00174-1



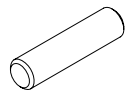
($\varnothing 15$)

A \times 19



($\varnothing 15$)

B \times 19



($\varnothing 8 \times 30\text{mm}$)

C \times 19



($\varnothing 6 \times \varnothing 18$)

D \times 2



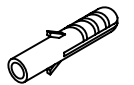
($\varnothing 3.5 \times 15\text{mm}$)

E \times 1

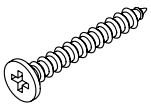


($\varnothing 3.5 \times 15\text{mm}$)

F \times 36

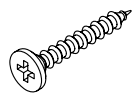


G \times 1



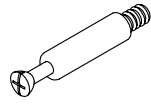
($\varnothing 3.5 \times 30\text{mm}$)

H \times 1



($\varnothing 3.5 \times 25\text{mm}$)

I \times 12



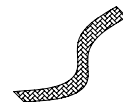
($\varnothing 12$)

J \times 12

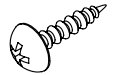


($\varnothing 12$)

K \times 12

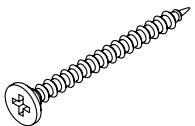


L \times 1



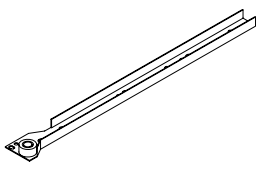
($\varnothing 3.0 \times 15\text{mm}$)

M \times 14

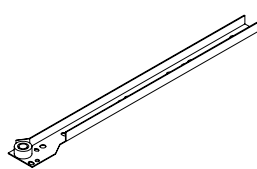


($\varnothing 3.5 \times 50\text{mm}$)

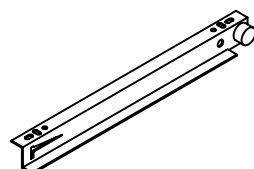
N \times 6



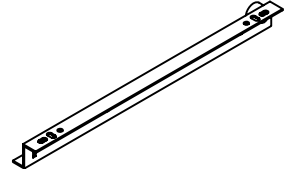
O \times 3



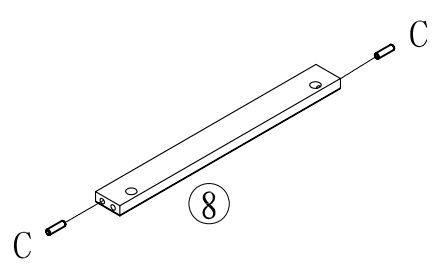
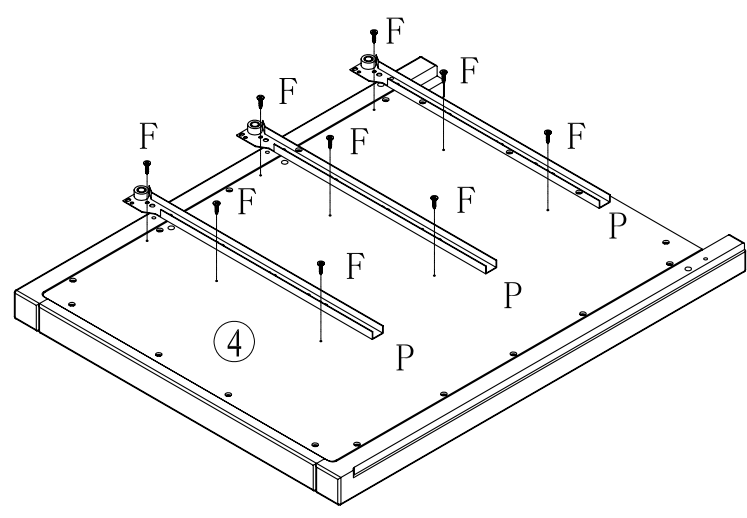
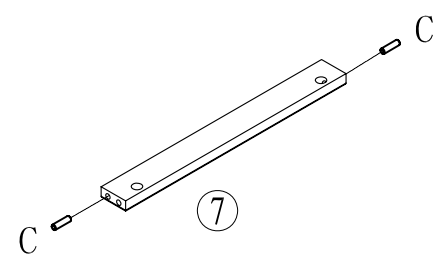
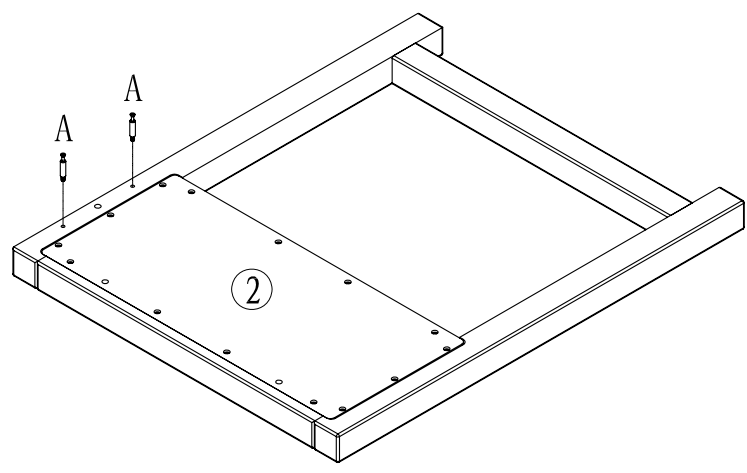
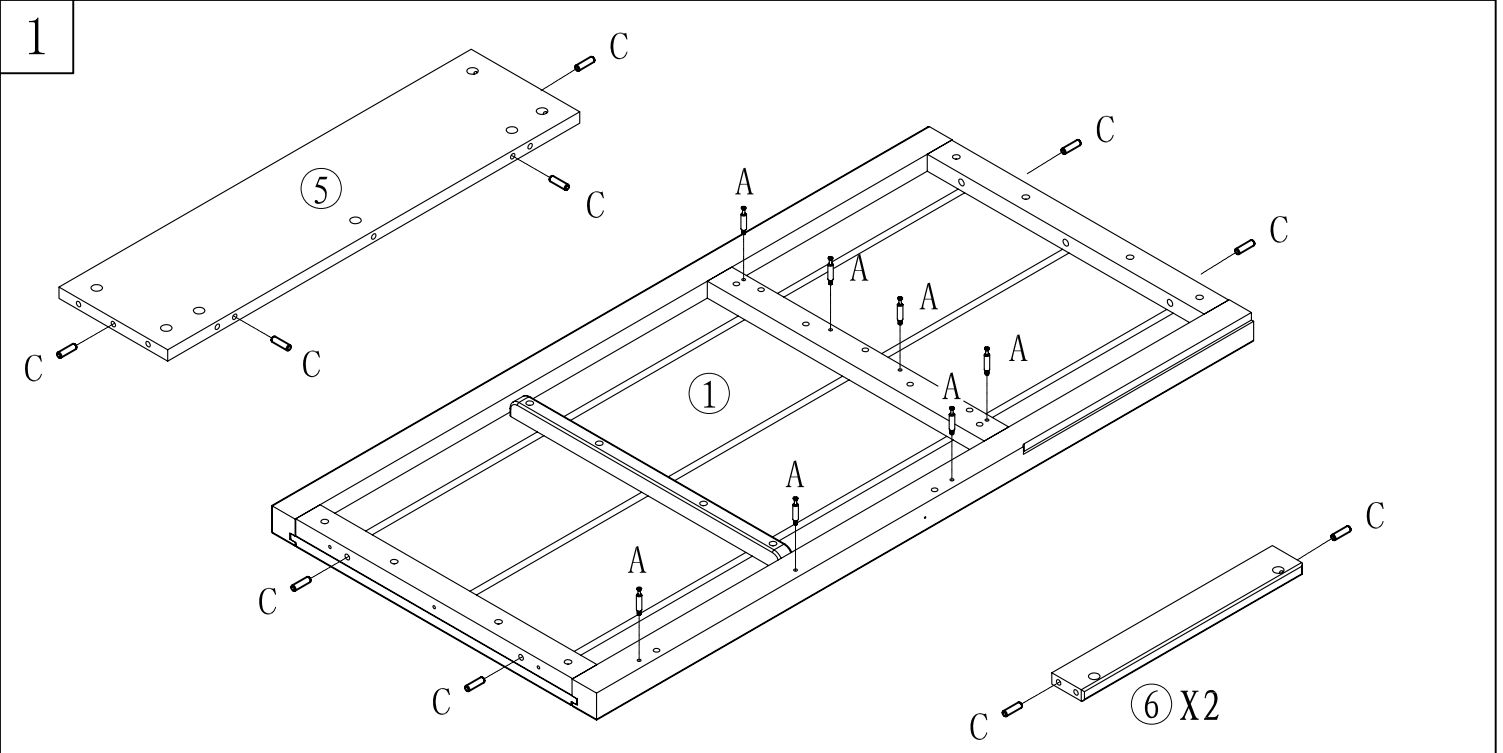
P \times 3

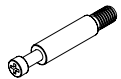
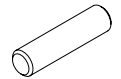
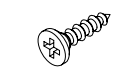
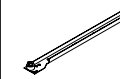


Q \times 3

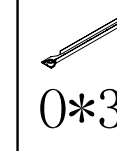
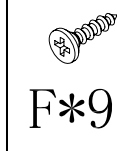
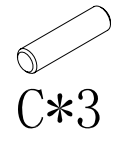
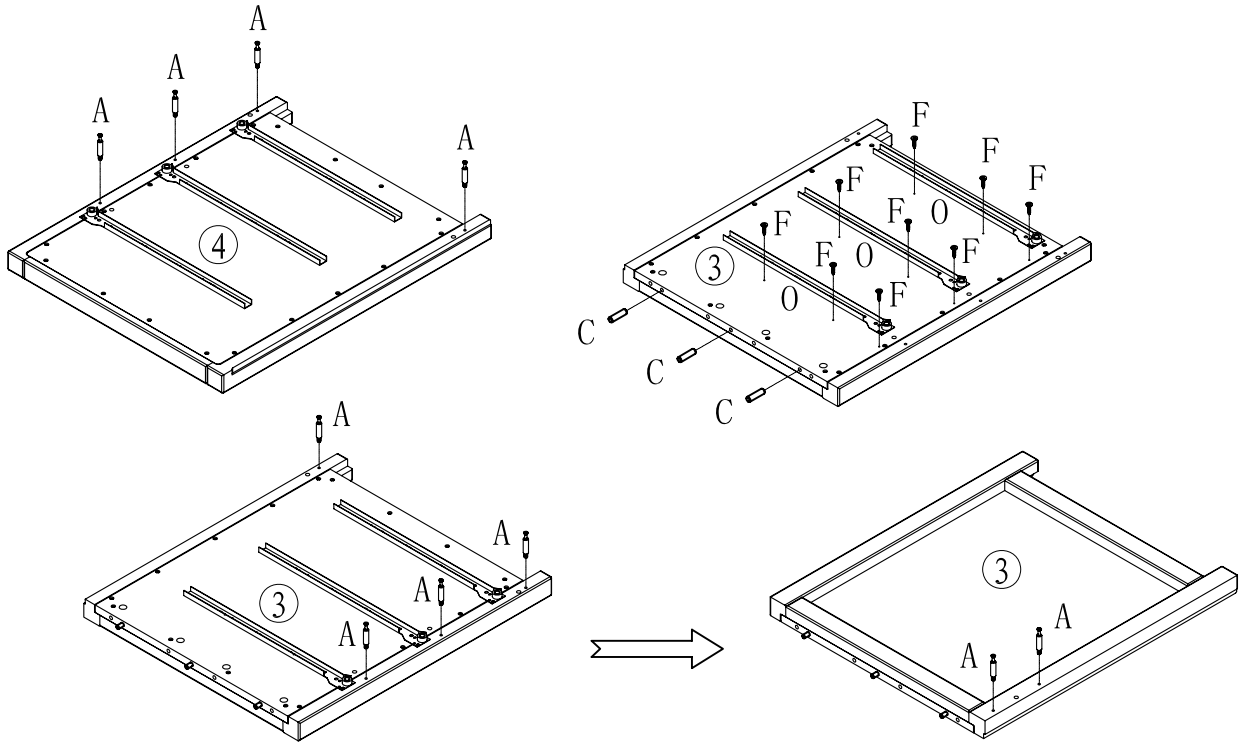


R \times 3

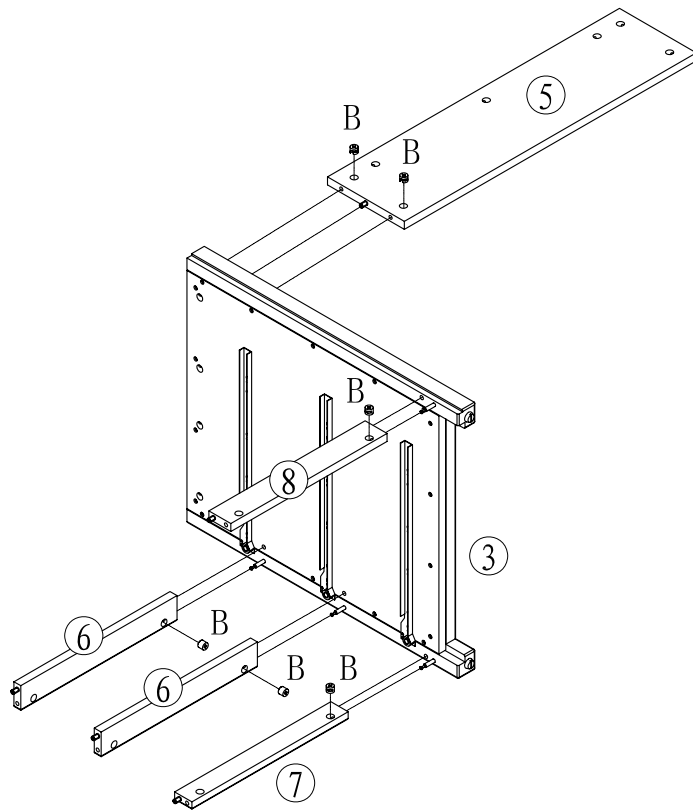


			
A*9	C*16	F*9	P*3

2

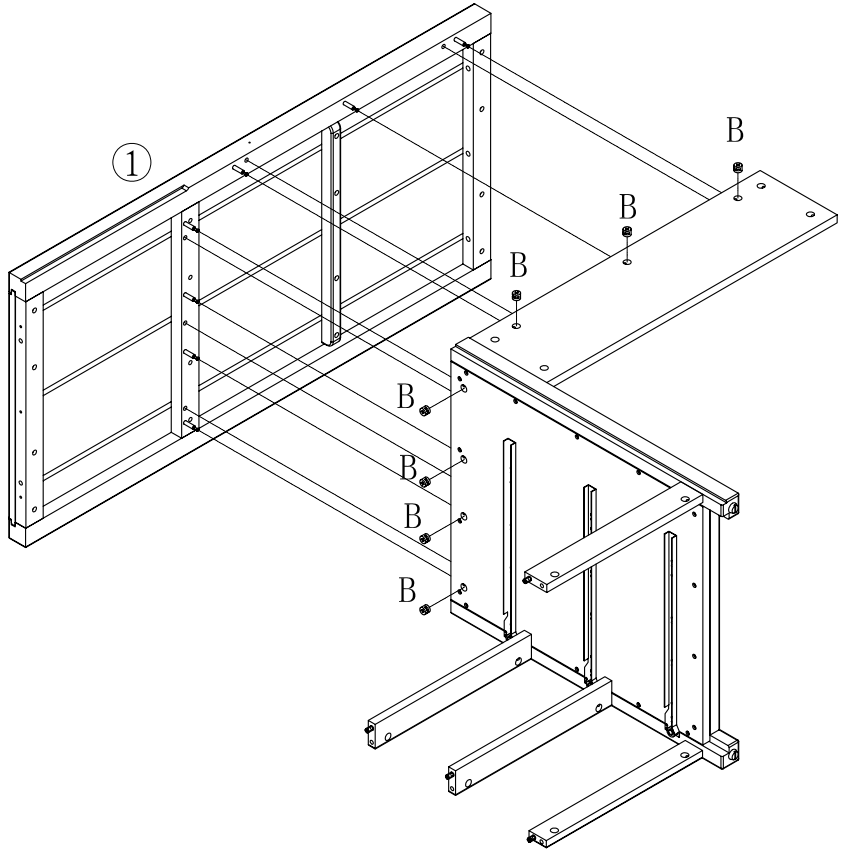


3



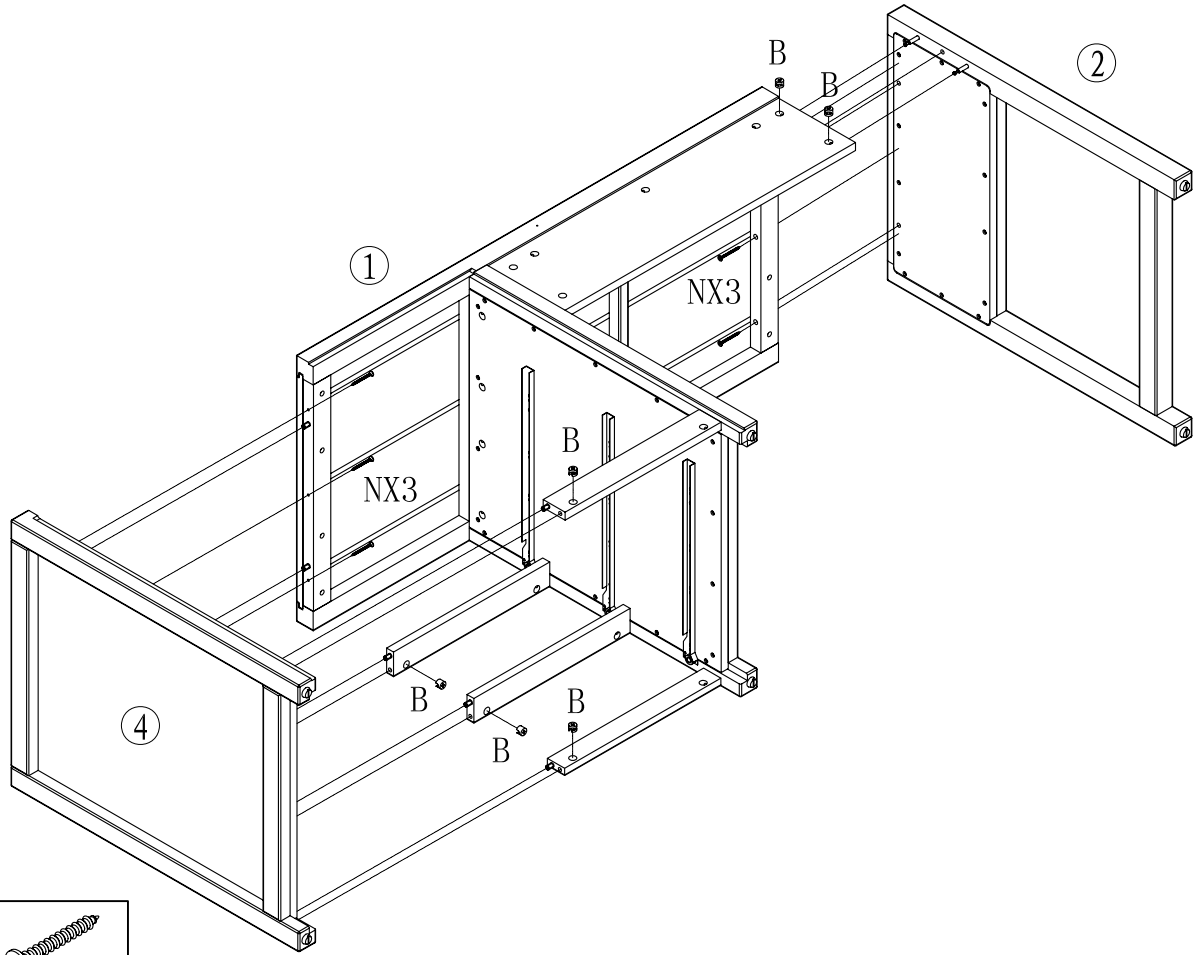

B*6

4

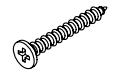



B*7

5

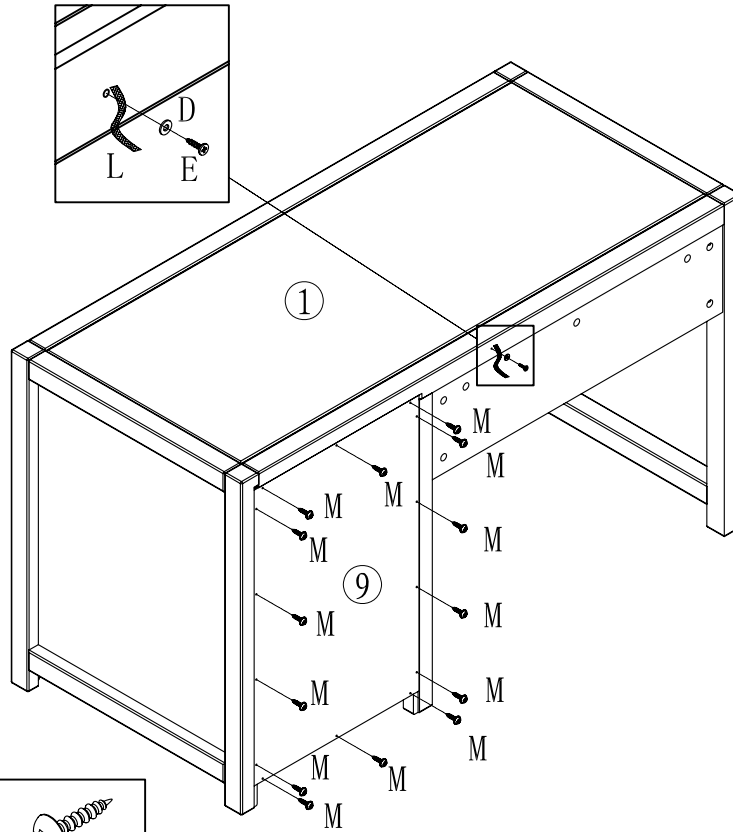



B*6



N*6

6



D*1



E*1

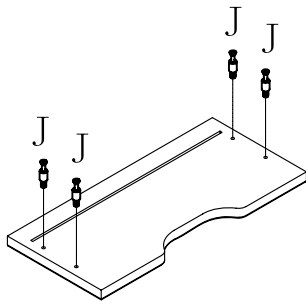


L*1

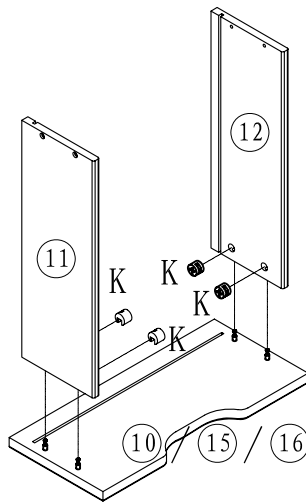


M*14

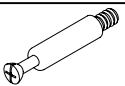
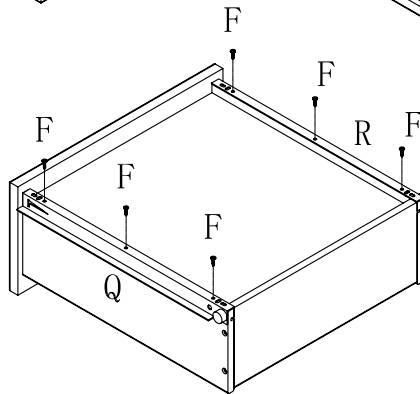
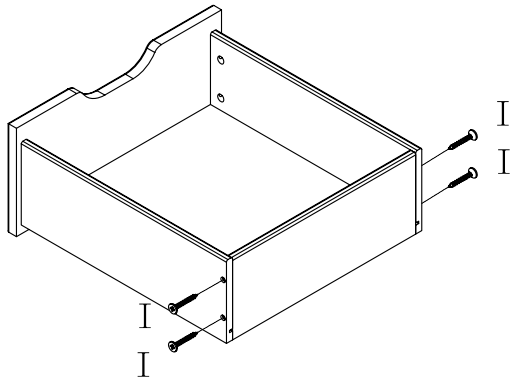
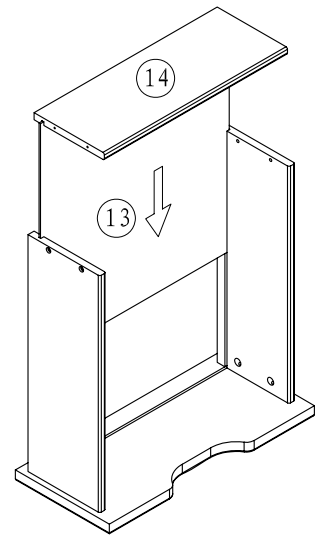
7



10 / 15 / 16



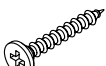
10 / 15 / 16



J*12



K*12



I*12



F*18

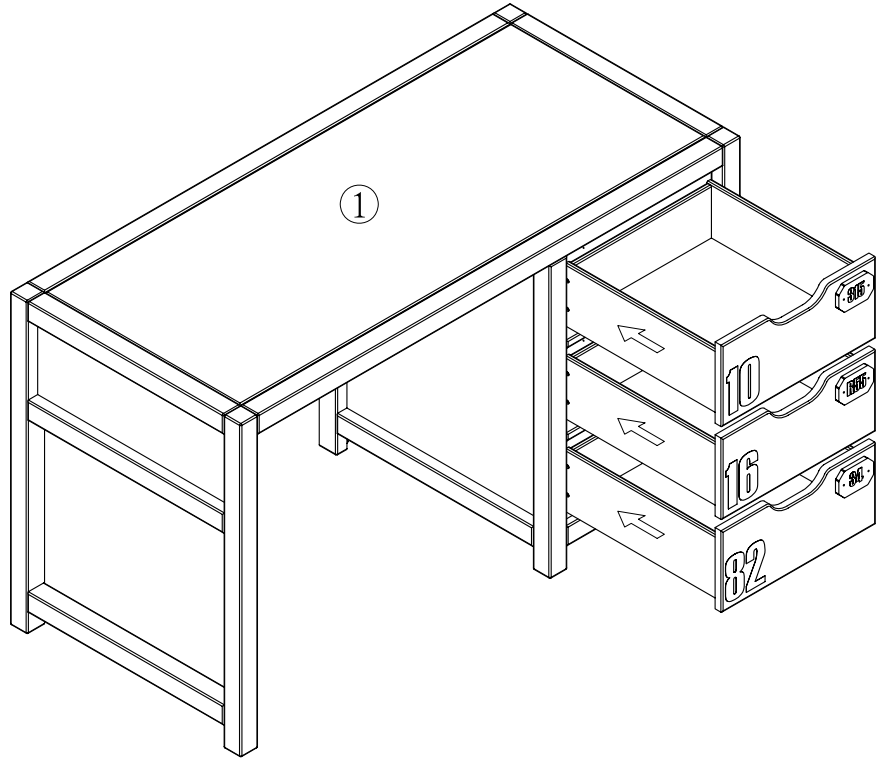


Q*3

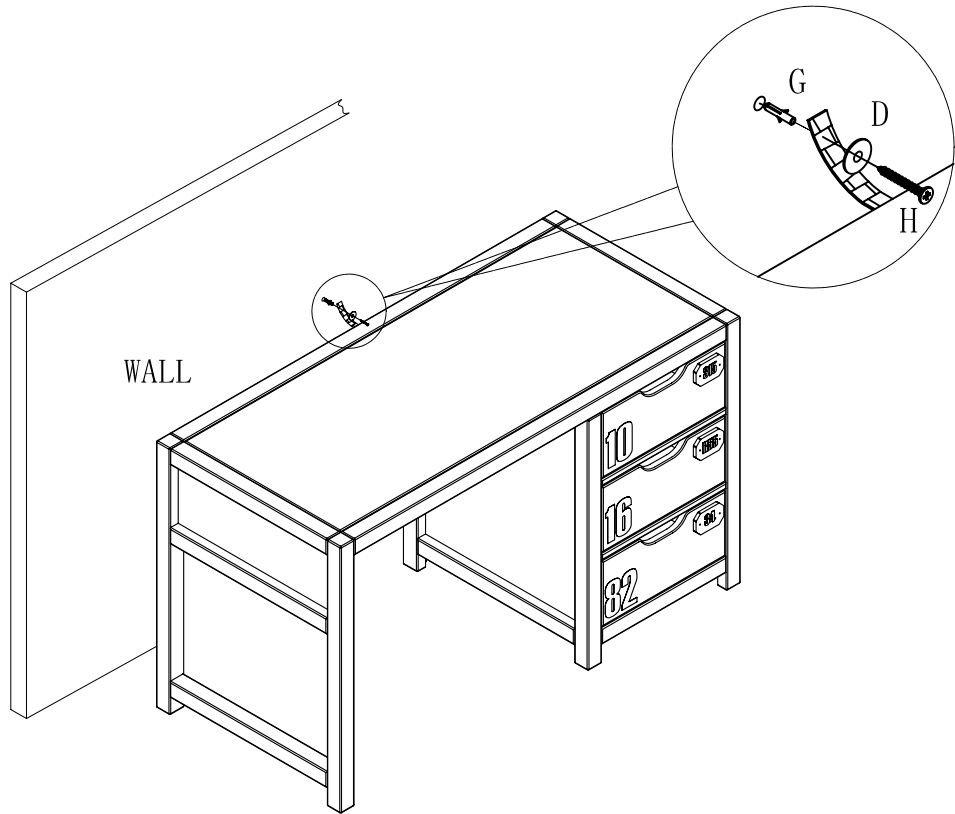


R*3

8



9



D*1



G*1



H*1