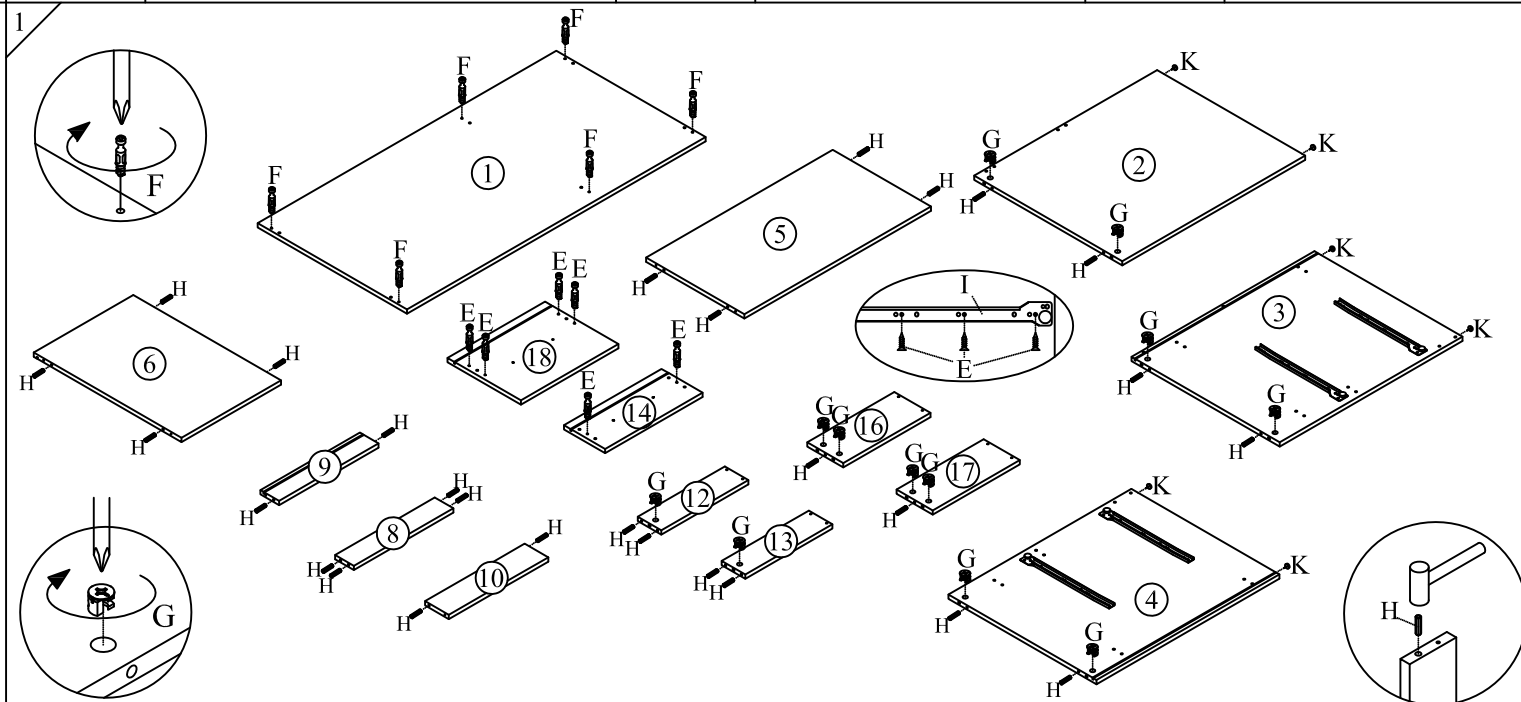
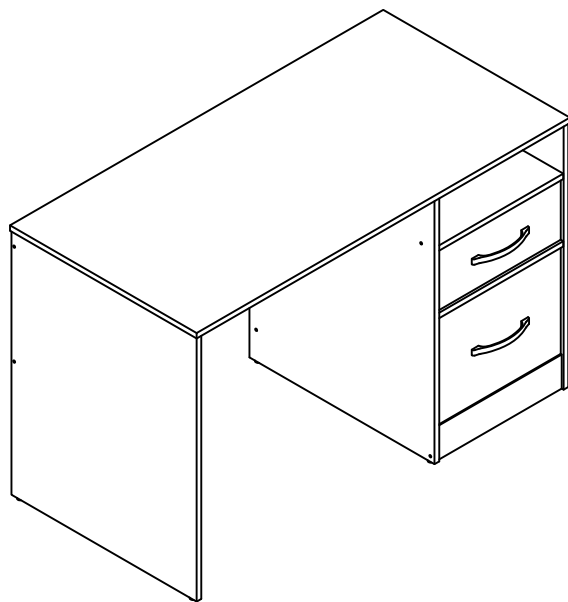
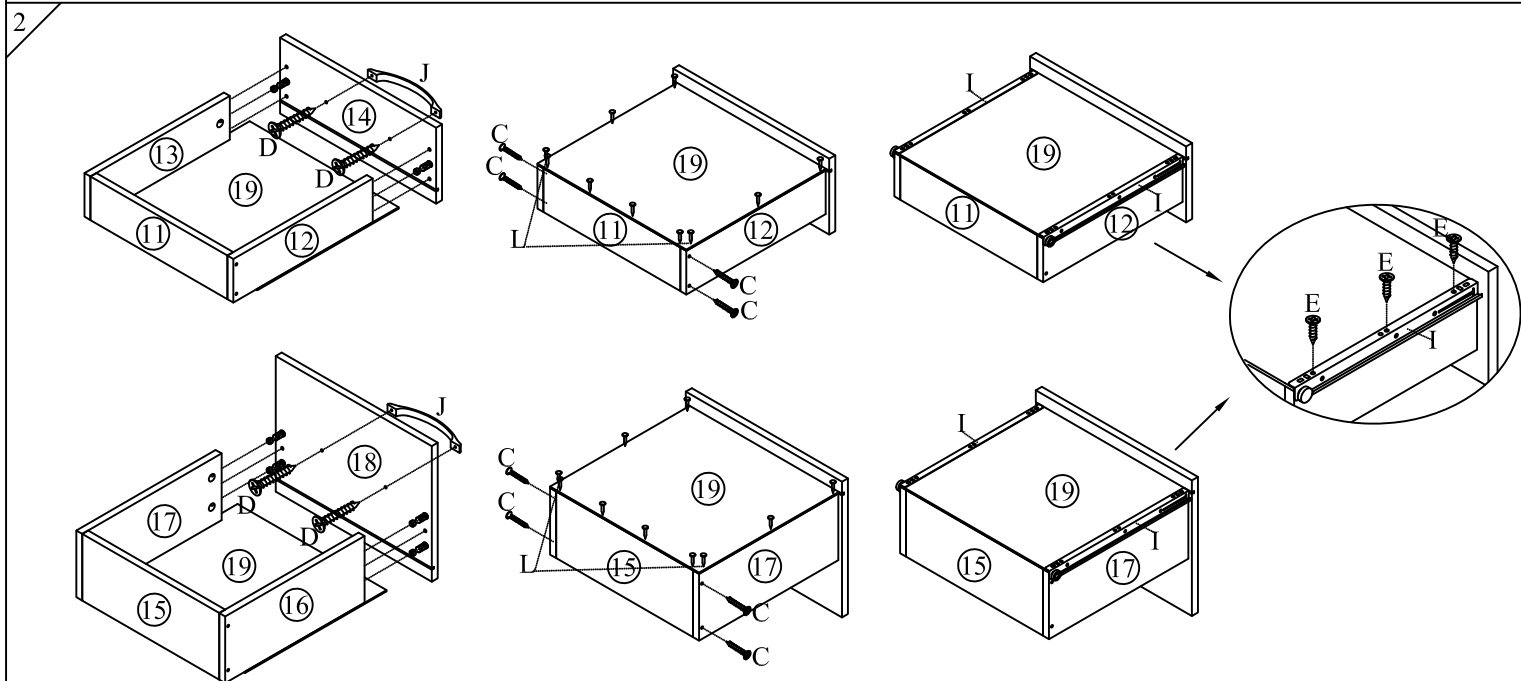


Model	DN STT 112 400	Issue Date	08 - 12 - 2014	Draw By	WILSON NG	Approved By / Date	
Form No	DN - F - 47	Revision	STT 1.1	Checked By	CK TAY	Sheet	01 / 02
Description	Assembly Instructions						



A		ALLEN KEY	1
B		M5 x 40mm JCBCW SCREW	12
C		M4 x 38mm CSK SCREW	8
D		M4 x 25mm CSK SCREW	4
E		M3.5 x 12mm CSK SCREW	24
F		SCREW IN - DOWEL	12
G		CAM FITTING	12
H		WOOD DOWEL 6 x 25mm	28
I		METAL RUNNER 14"	2
J		PVC BRAZIL HANDLE - 160	2
K		PVC NAIL	6
L		NAIL	20



Model	DN STT 112 400	Issue Date	08 - 12 - 2014	Draw By	WILSON NG	Approved By / Date	
Form No	DN - F - 47	Revision	STT 1.1	Checked By	CK TAY	Sheet	02 / 02
Description	Assembly Instructions						

