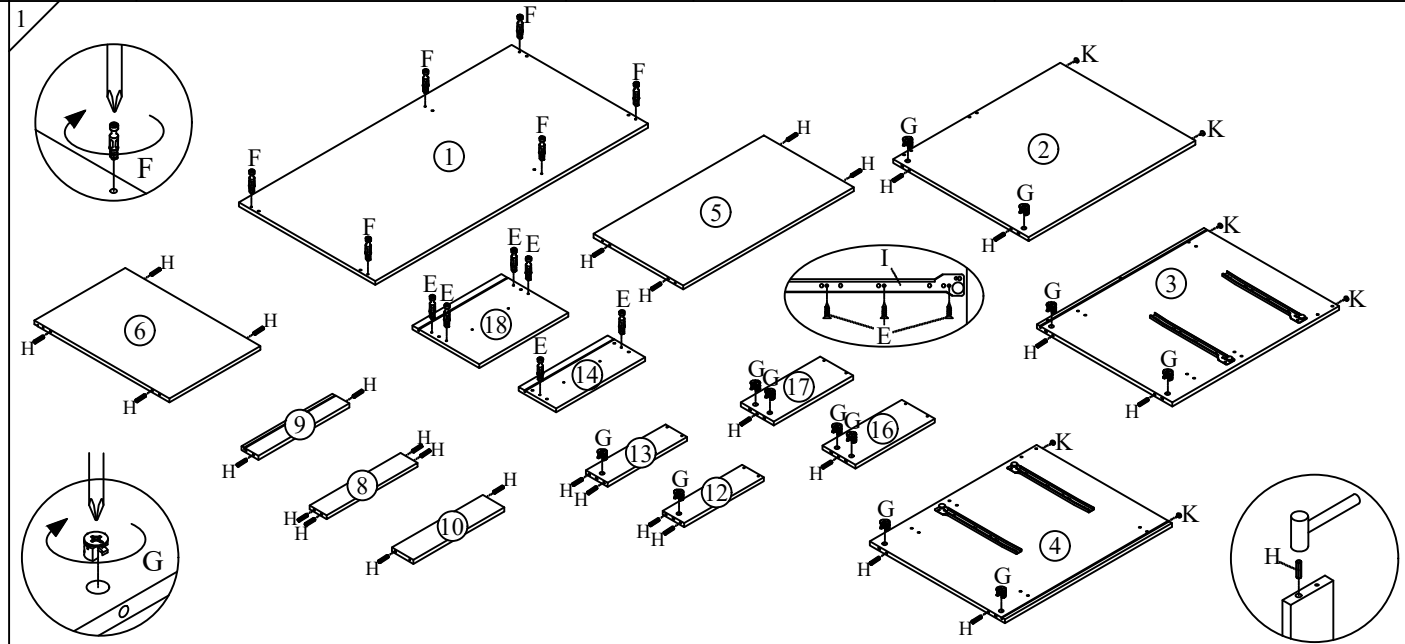
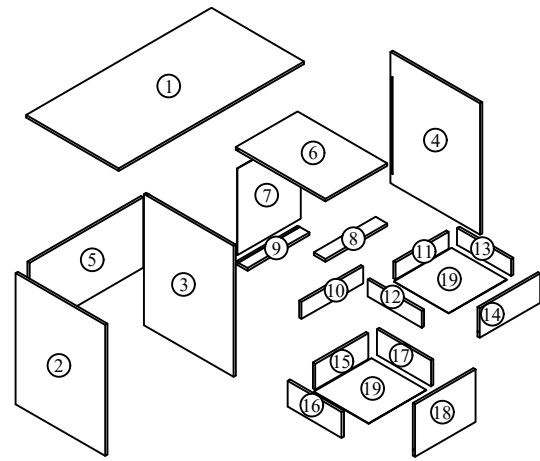
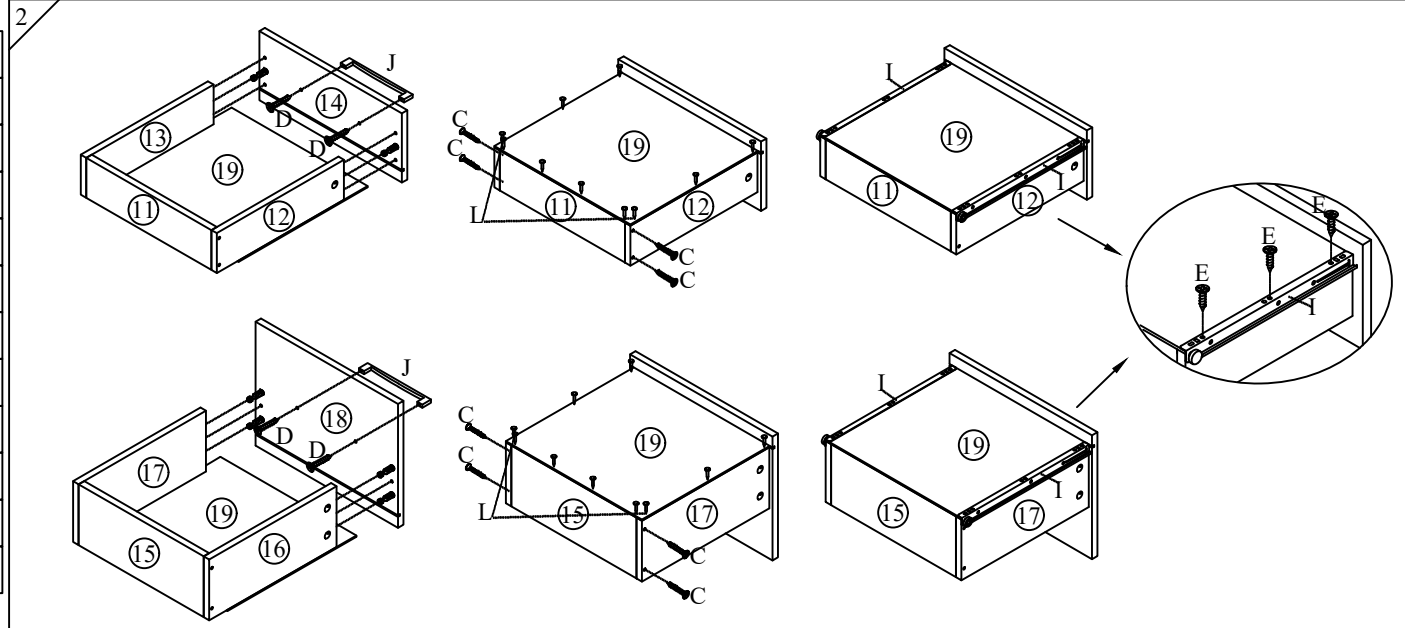


Model	DN STT 112 400-3	Issue Date	12 - 11 - 2022	Draw By	YN NG	Approved By / Date	
Form No	P13-RD-05-Rev01	Revision	STT 1.0	Checked By	YN NG	Sheet	01 / 02
Description	Assembly Instructions						



A	ALLEN KEY	1
B	M5 x 40mm JCBCW SCREW	12
C	M4 x 38mm CSK SCREW	8
D	M4 x 30mm CSK SCREW	4
E	M3.5 x 12mm CSK SCREW	24
F	SCREW IN - DOWEL	12
G	CAM FITTING (15mm)	12
H	WOOD DOWEL 6 x 25mm	28
I	METAL RUNNER 14"	2
J	PVC HANDLE AC81-160	2
K	PVC NAIL	6
L	NAIL	20



Model	DN STT 112 400-3	Issue Date	12 - 11 - 2022	Draw By	YN NG	Approved By / Date	
Form No	P13-RD-05-Rev01	Revision	STT 1.0	Checked By	YN NG	Sheet	02 / 02
Description	Assembly Instructions						

