

S190

ASSEMBLY INSTRUCTION

A



M6*20

x4

B



φ6*φ18*1.5

x4

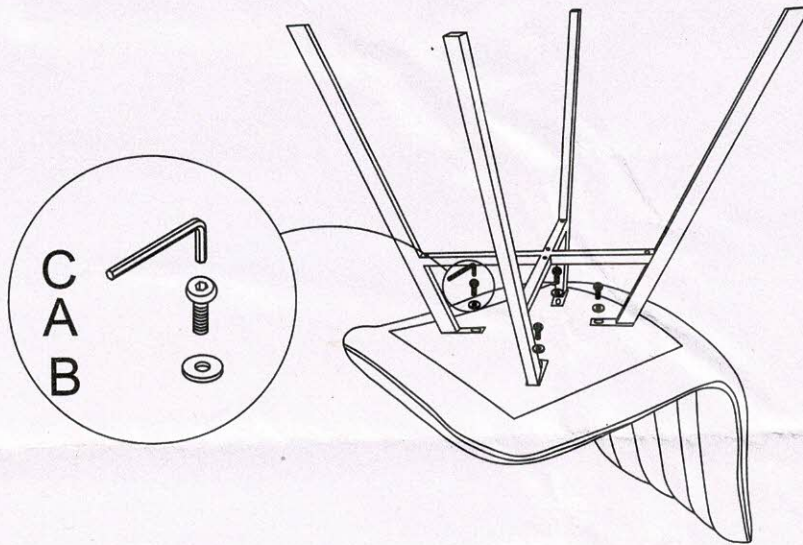
C



M5

x1

1



2

