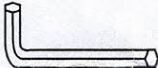




ASSEMBLY INSTRUCTION



A		x1
B		x4
C		x4

