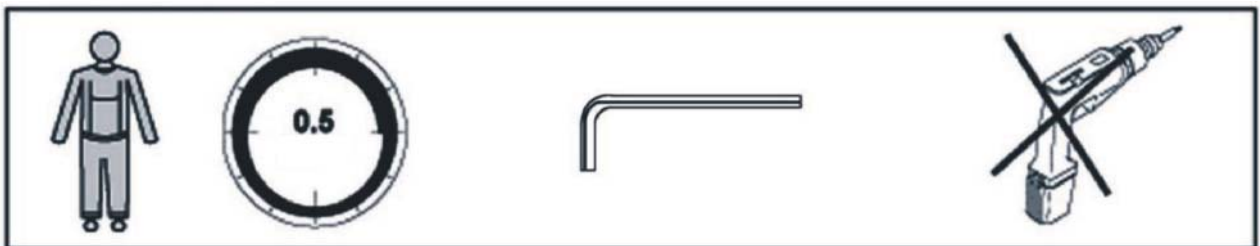
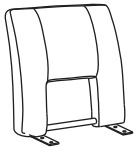

Sylvia barstool



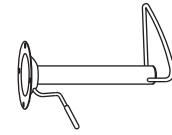
Sylvia barstool



Ax1



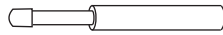
Bx1



Cx1



Dx1



Ex1



Fx1

Gx4



M6*16

Hx4

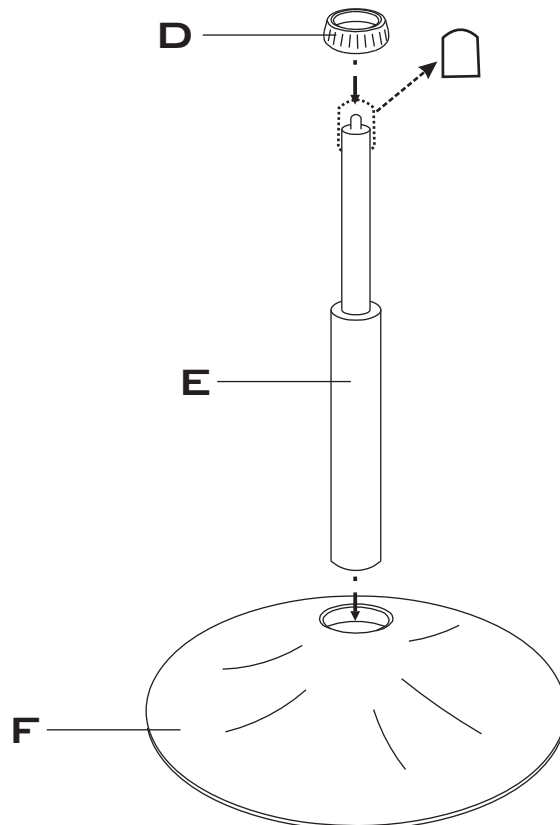


M6*25

Kx8



Lx1

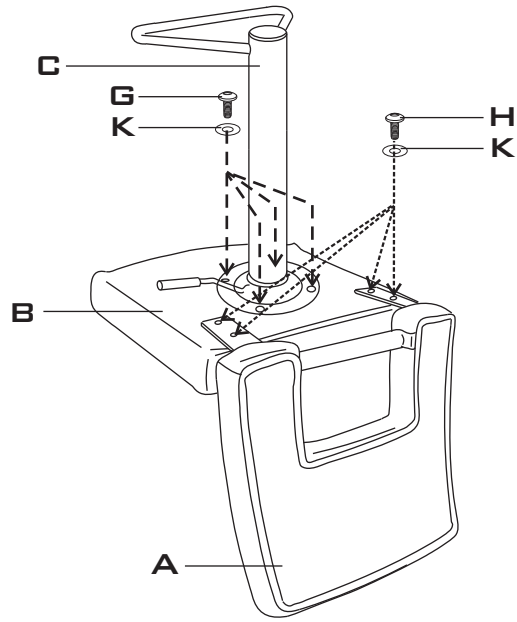


Gx4
M6*16

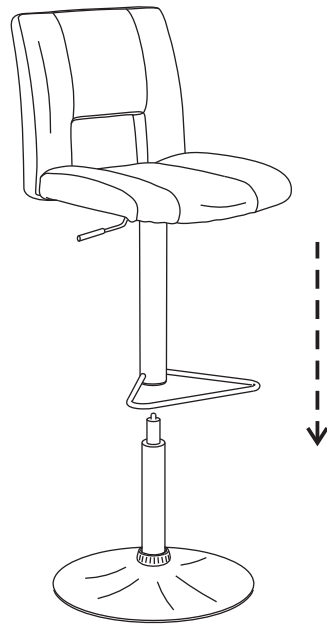
Hx4
M6*25

Kx8

Lx1



2



3

