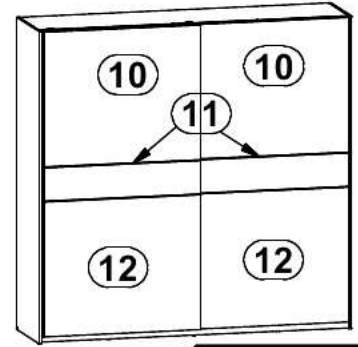
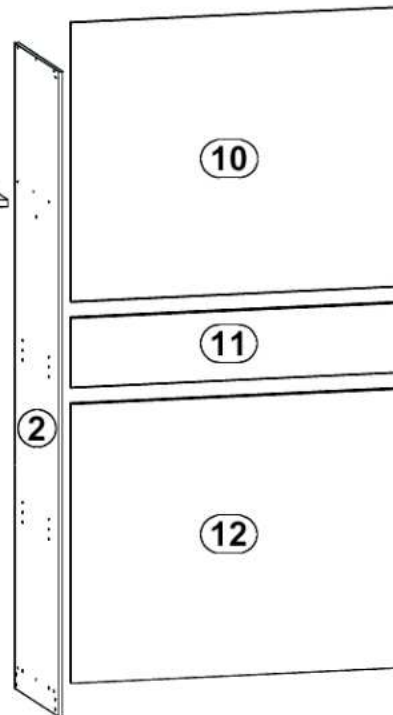
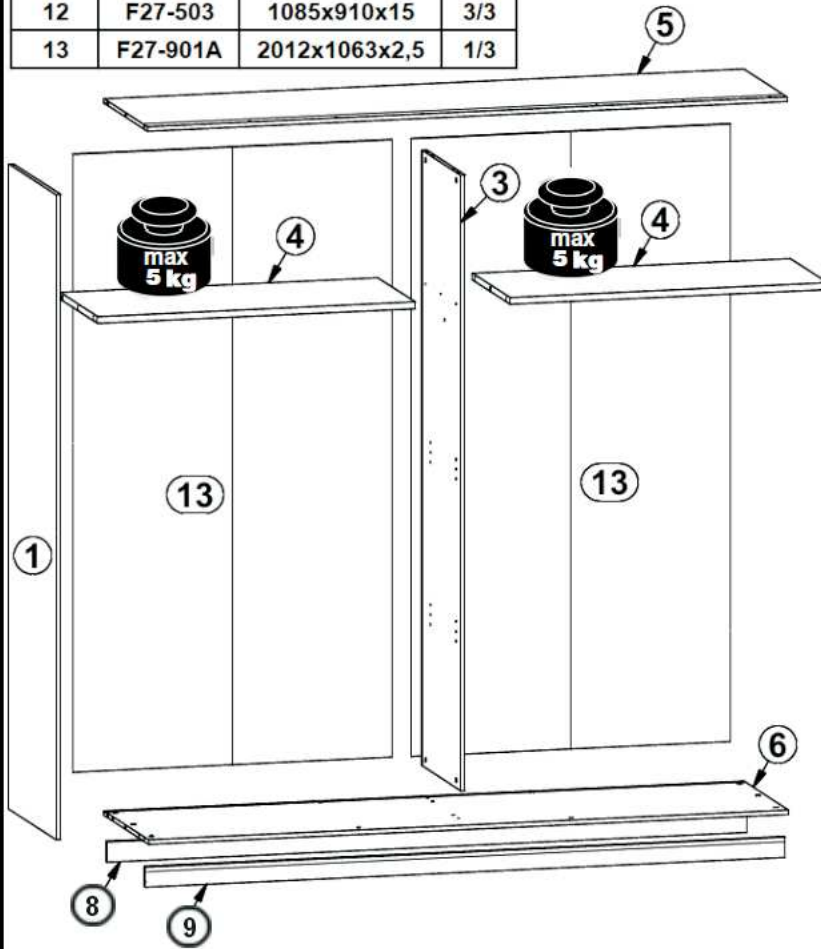
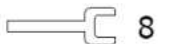
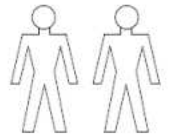


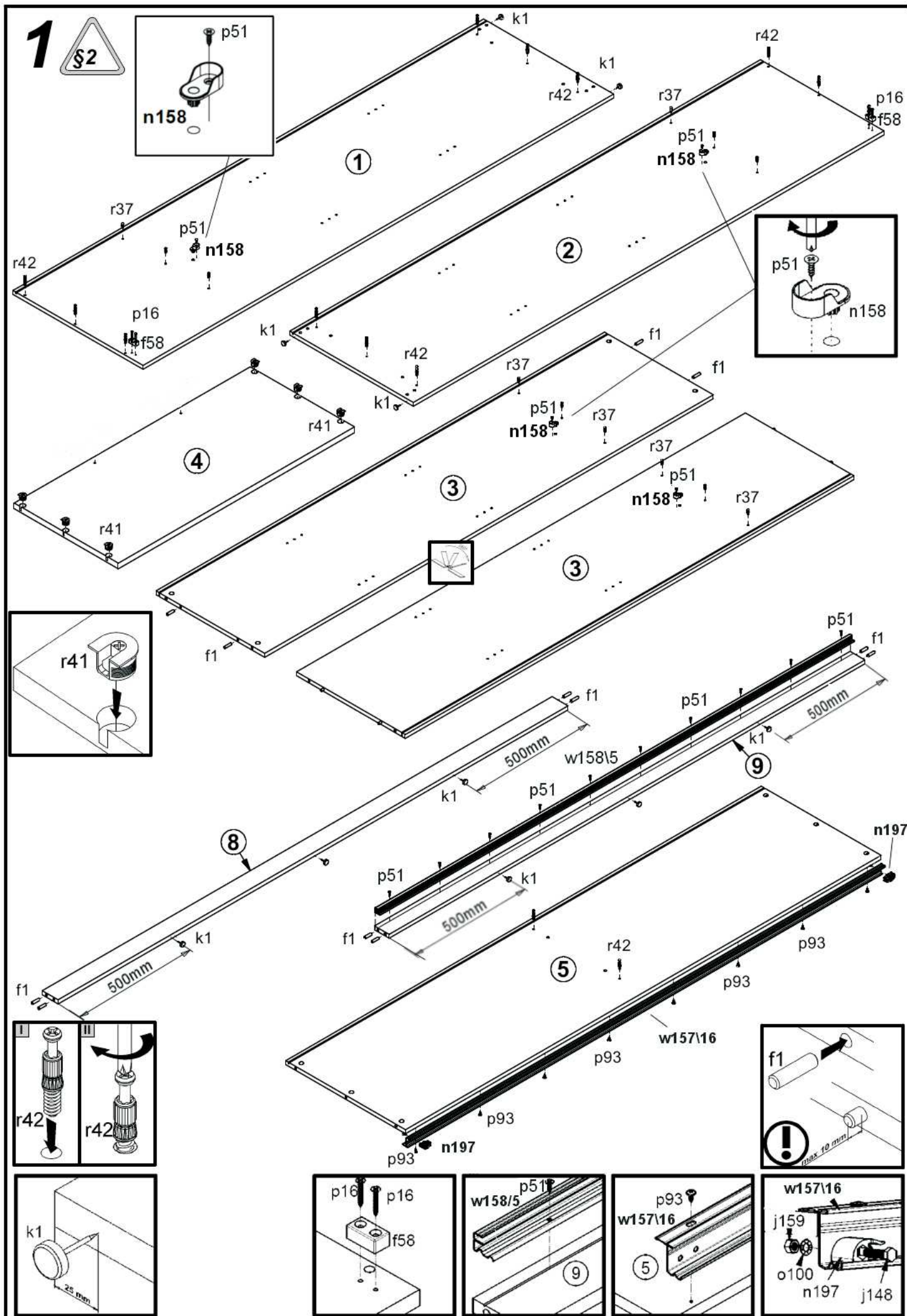
A	B	C	D
1	F27-101	2100x580x15	1/3
2	F27-102	2100x551x15	1/3
3	F27-103	2003x485x15	1/3
4	F27-301	1054x465x22	2/3
5	F27-302	2123x535x15	2/3
6	F27-303	2123x550x15	2/3
8	F27-401	2123x66x15	2/3
9	F27-402	2123x66x15	2/3
10	F27-501	1085x910x15	3/3
11	F27-502	1085x230x15	3/3
12	F27-503	1085x910x15	3/3
13	F27-901A	2012x1063x2,5	1/3



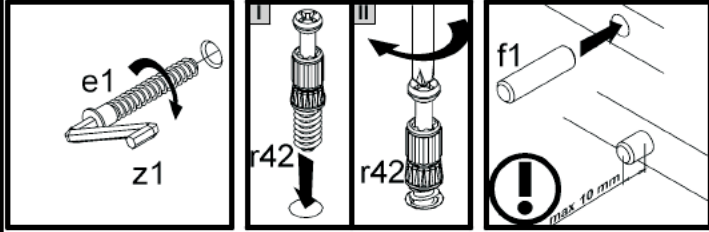
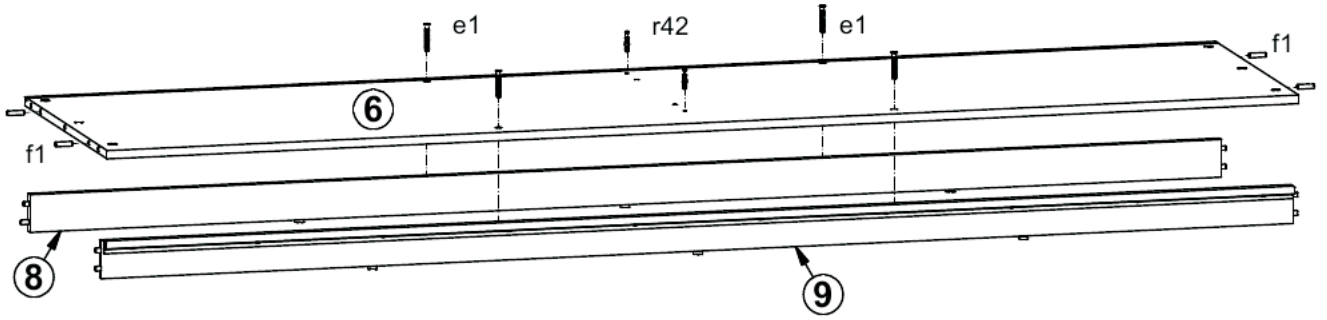
3h



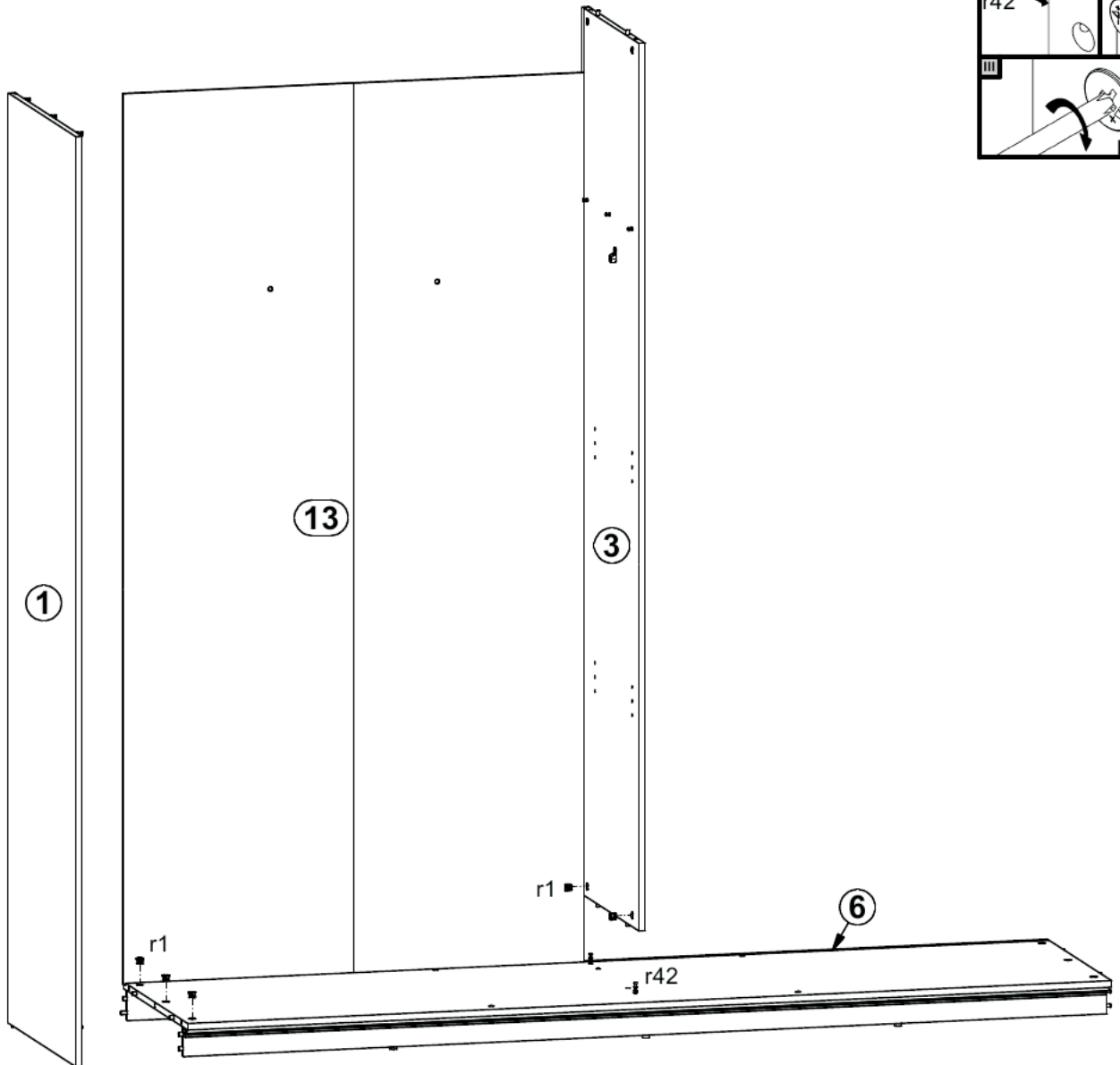
2x dr-1049	4x e1 Ø7x50 mm	4x e2 Ø6.3x13 mm	16x f1 Ø8x30 mm	2x f58	2x f35 Ø10x50 mm	2x n142 Ø8x71x191.5	2x p17 Ø5x60 mm	8x n76
2x n194	2x n195	1x n196	2x n197	2x n198	2x n199	20x p51 Ø3.5x15mm	4x p16 Ø3.5x25 mm	32x p19 Ø4x16 mm
2x o100 Ø5xØ10	96x p93 Ø4x13 mm	16x r1 Ø15x12 mm #16	12x r37	12x r41 Ø20x13.5 mm #19	16x r42	4x s1	16x s2 Ø16	2x w118\11 Ø20x50 mm
2x w320\1 Ø20x50 mm	1x w157\16	1x w158\15 L:2118mm	1x z1	4x d20	2x j148 M5x20 mm	2x j159 M5		

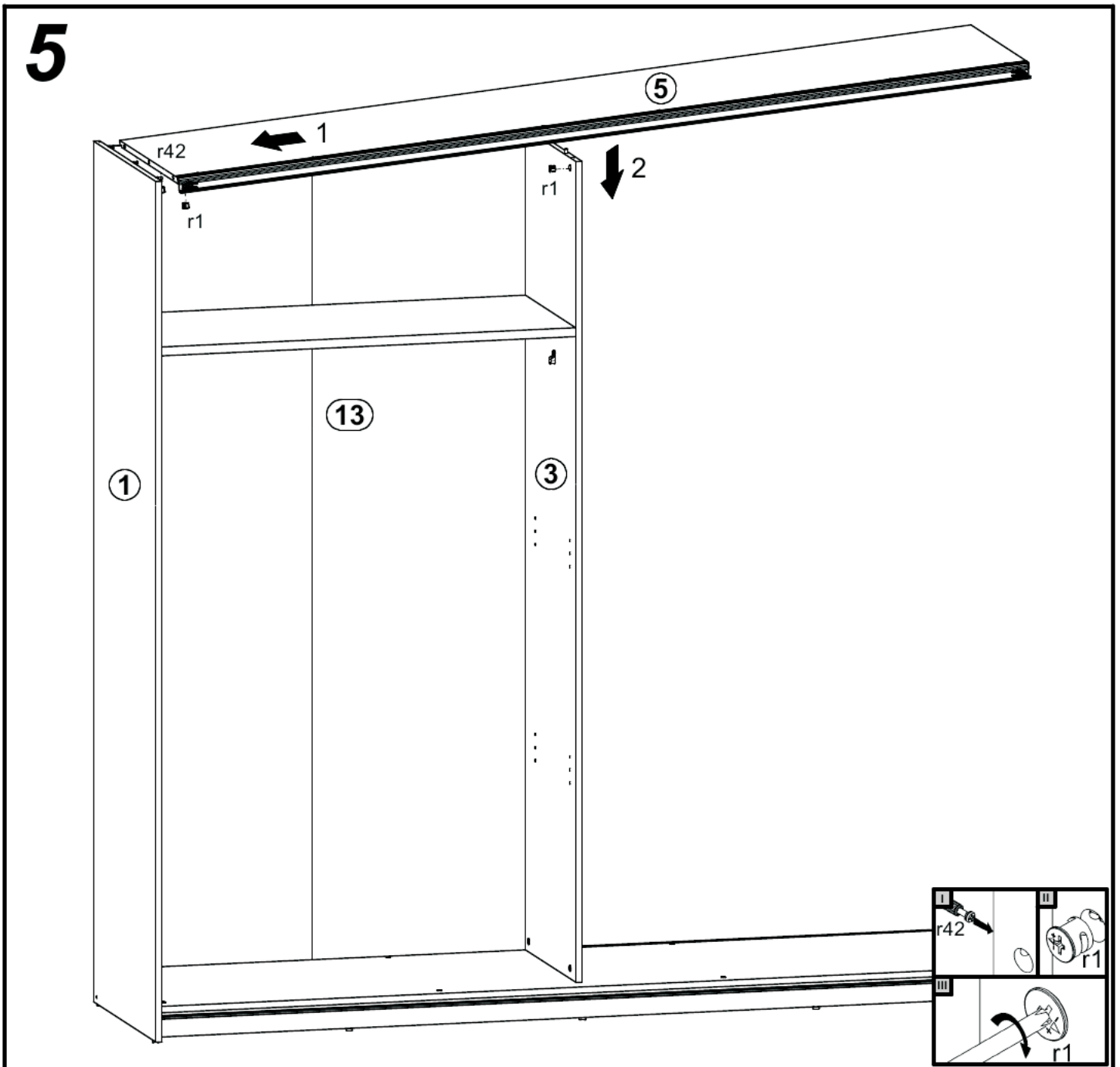
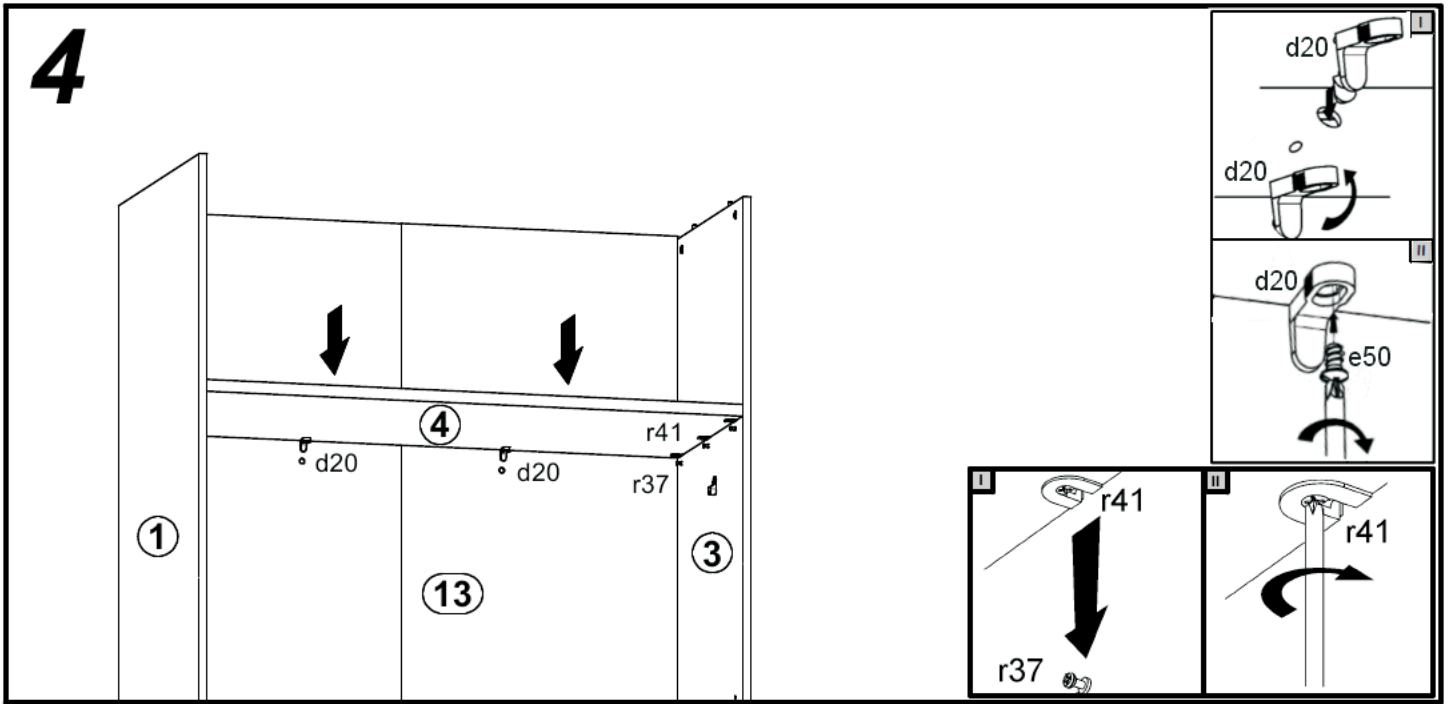


2

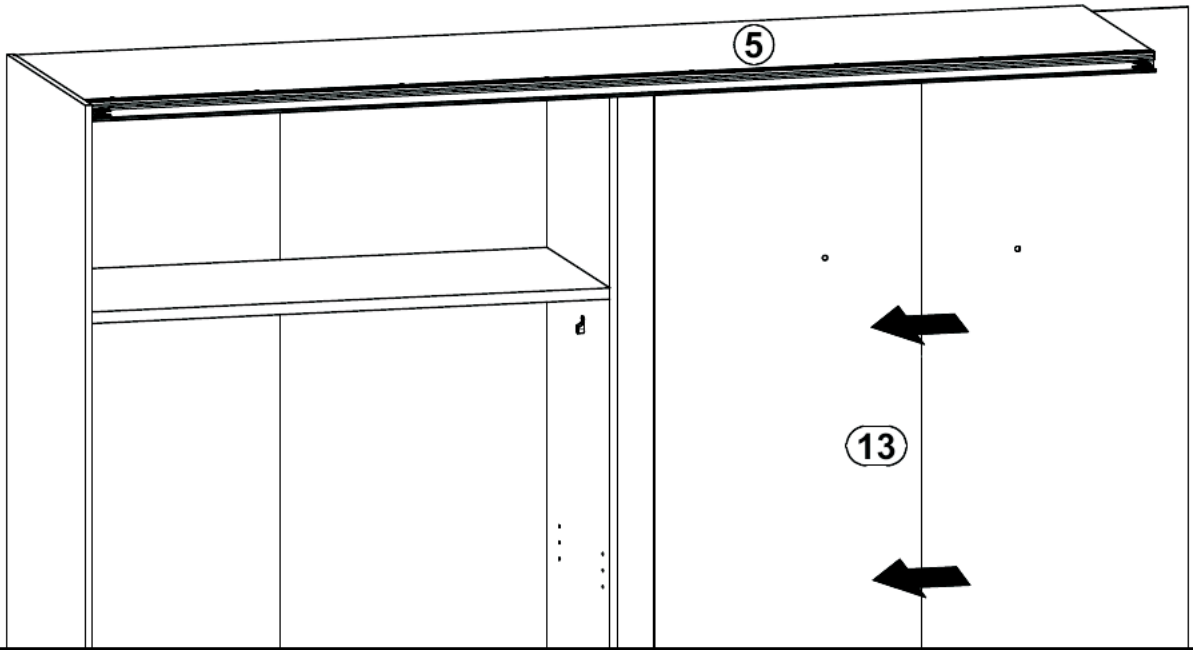


3

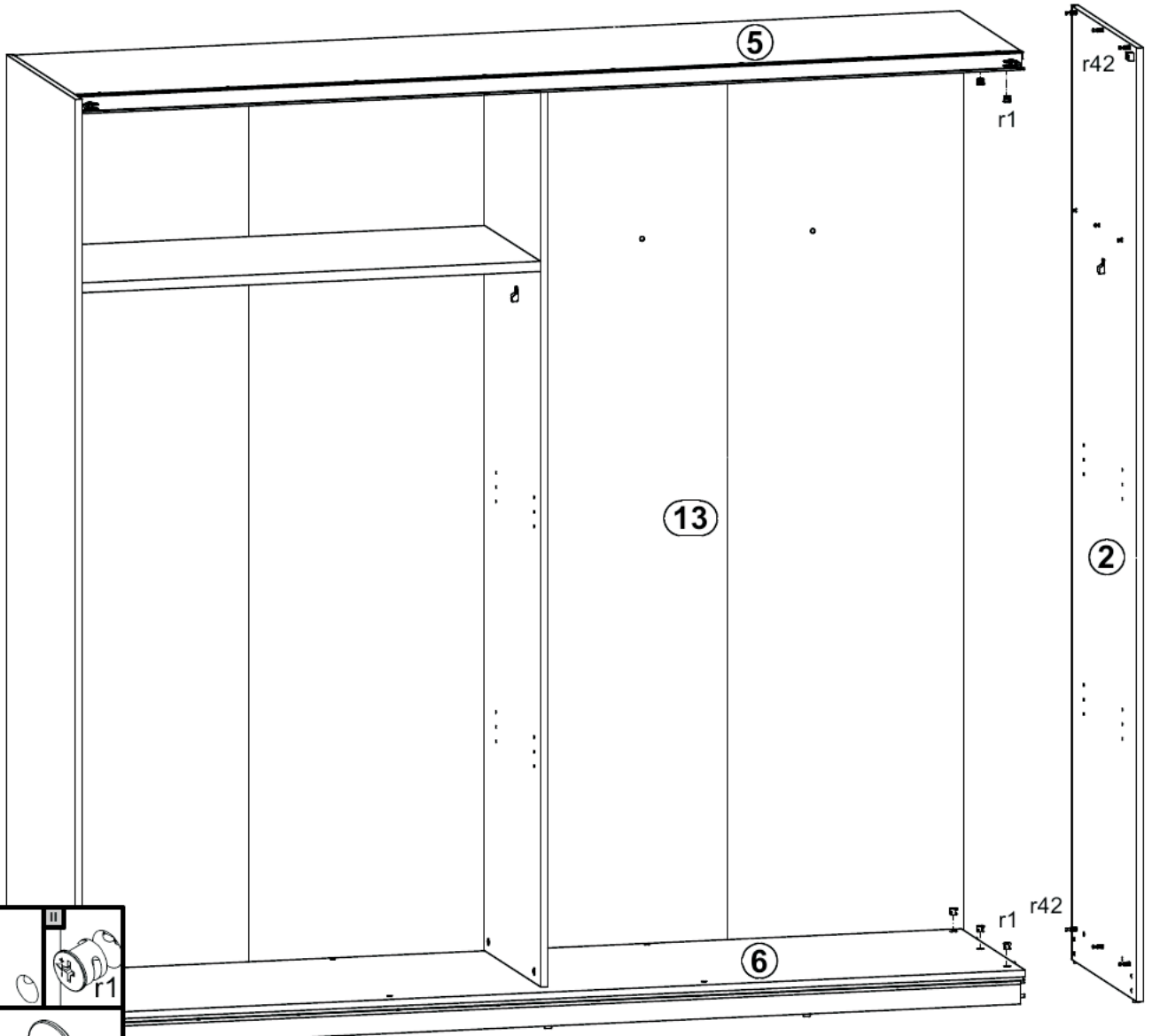




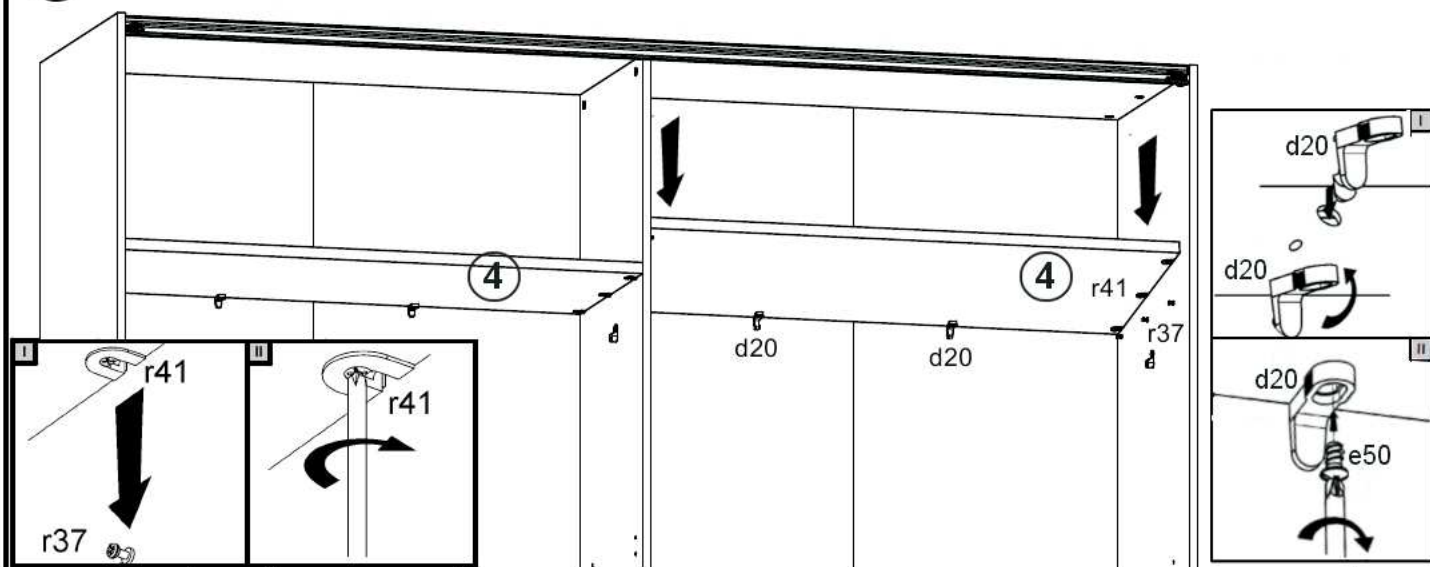
6



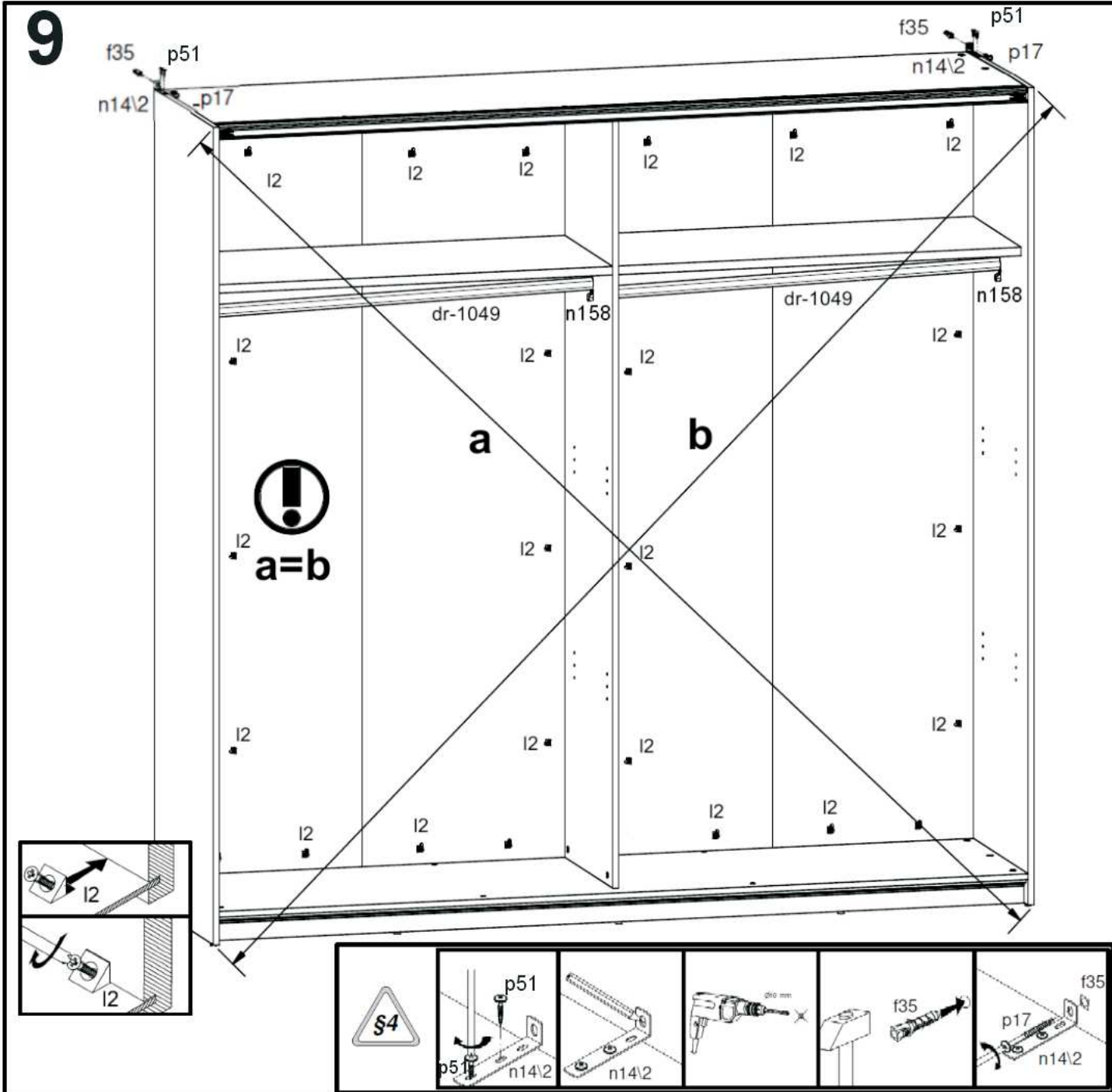
7



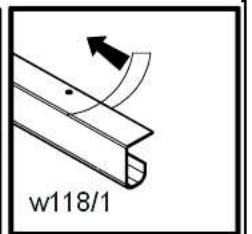
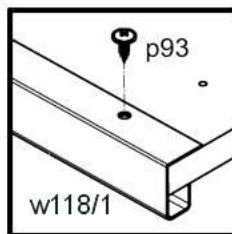
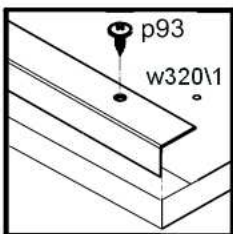
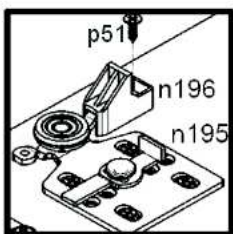
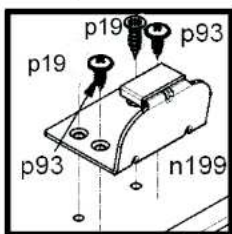
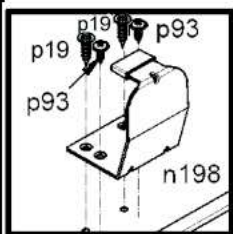
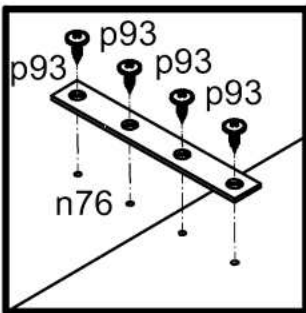
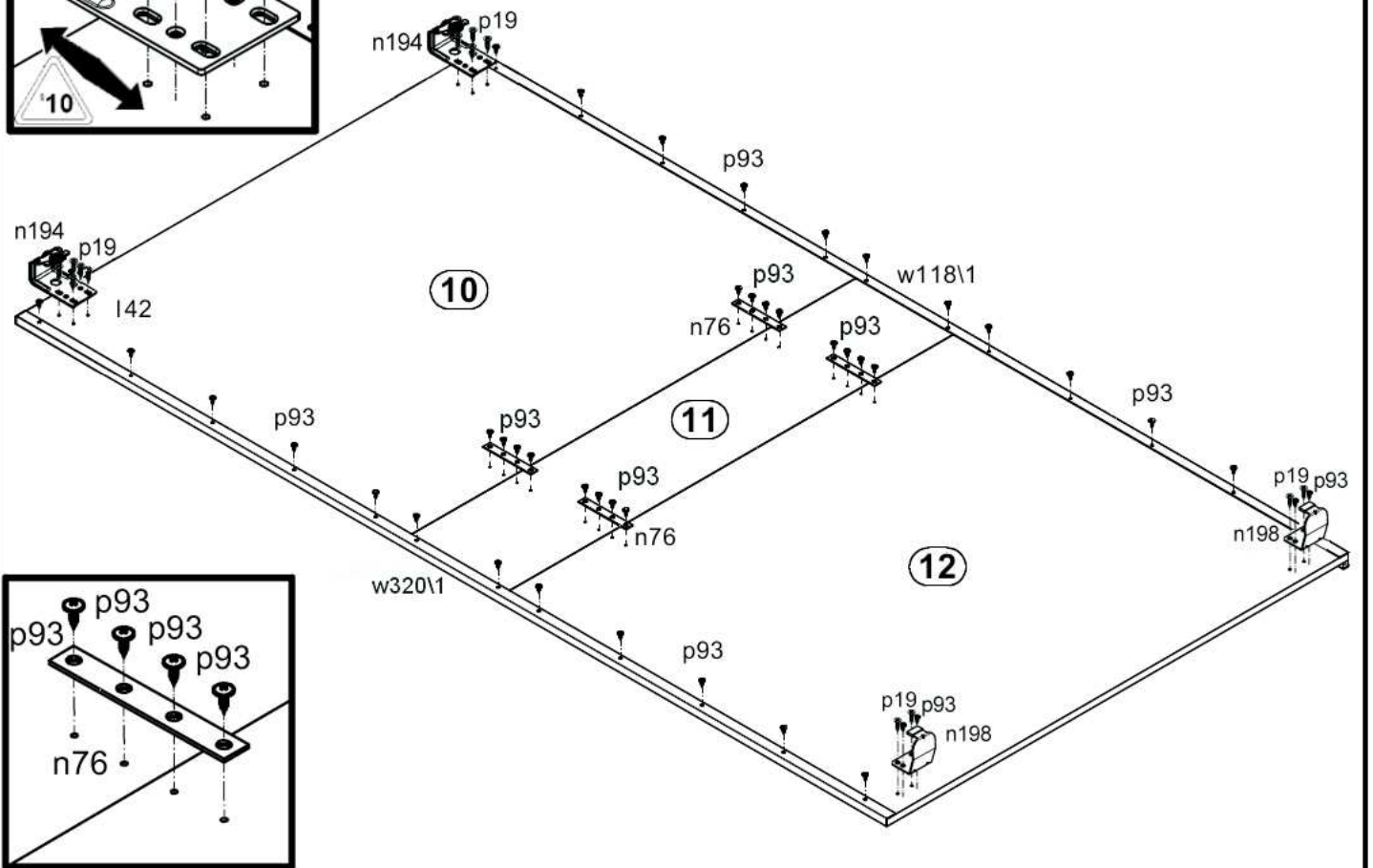
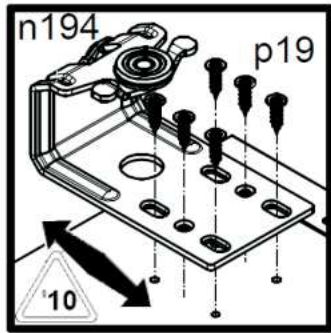
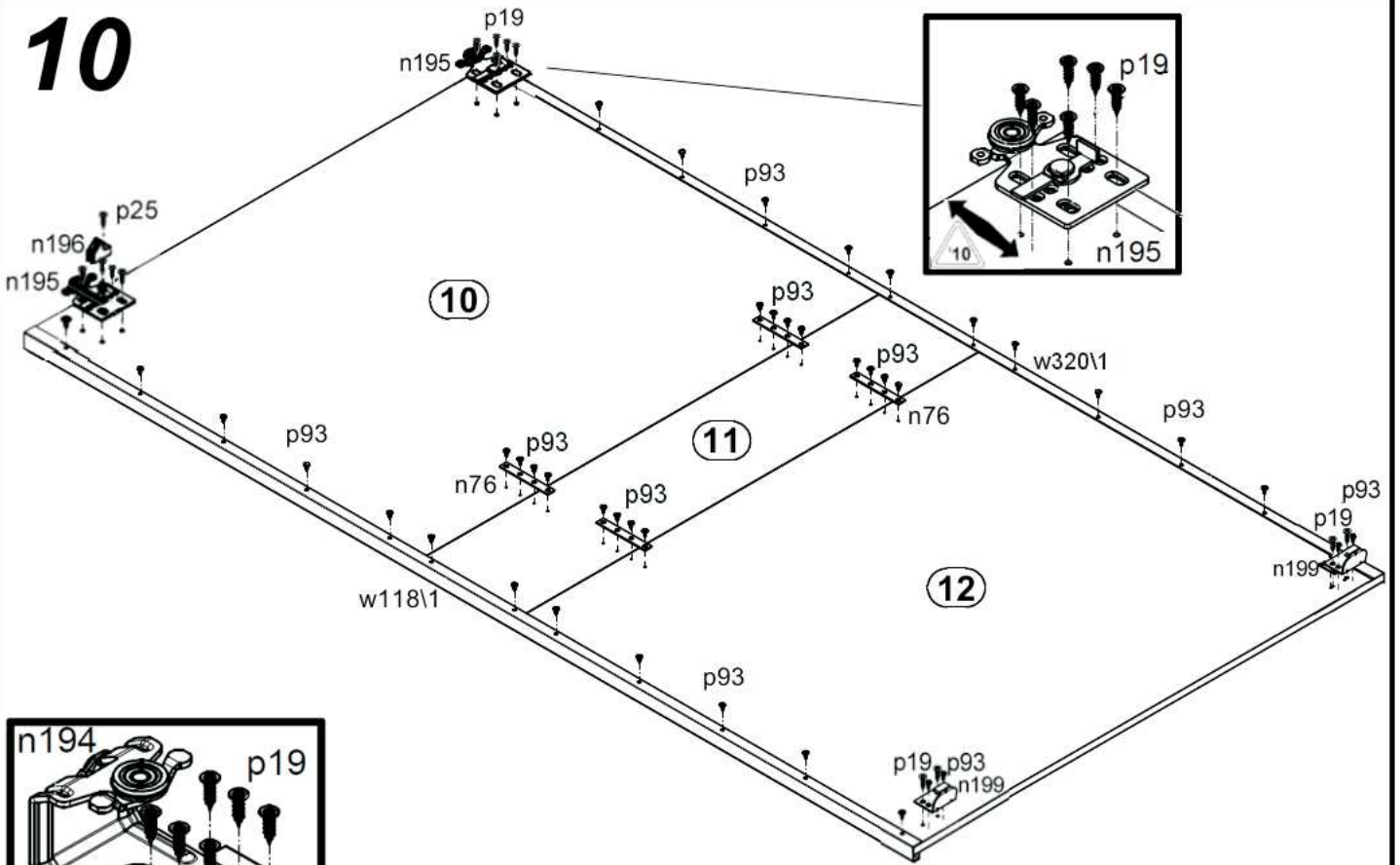
8



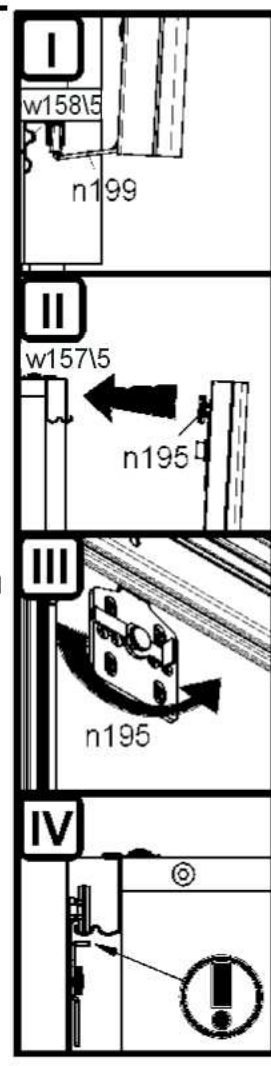
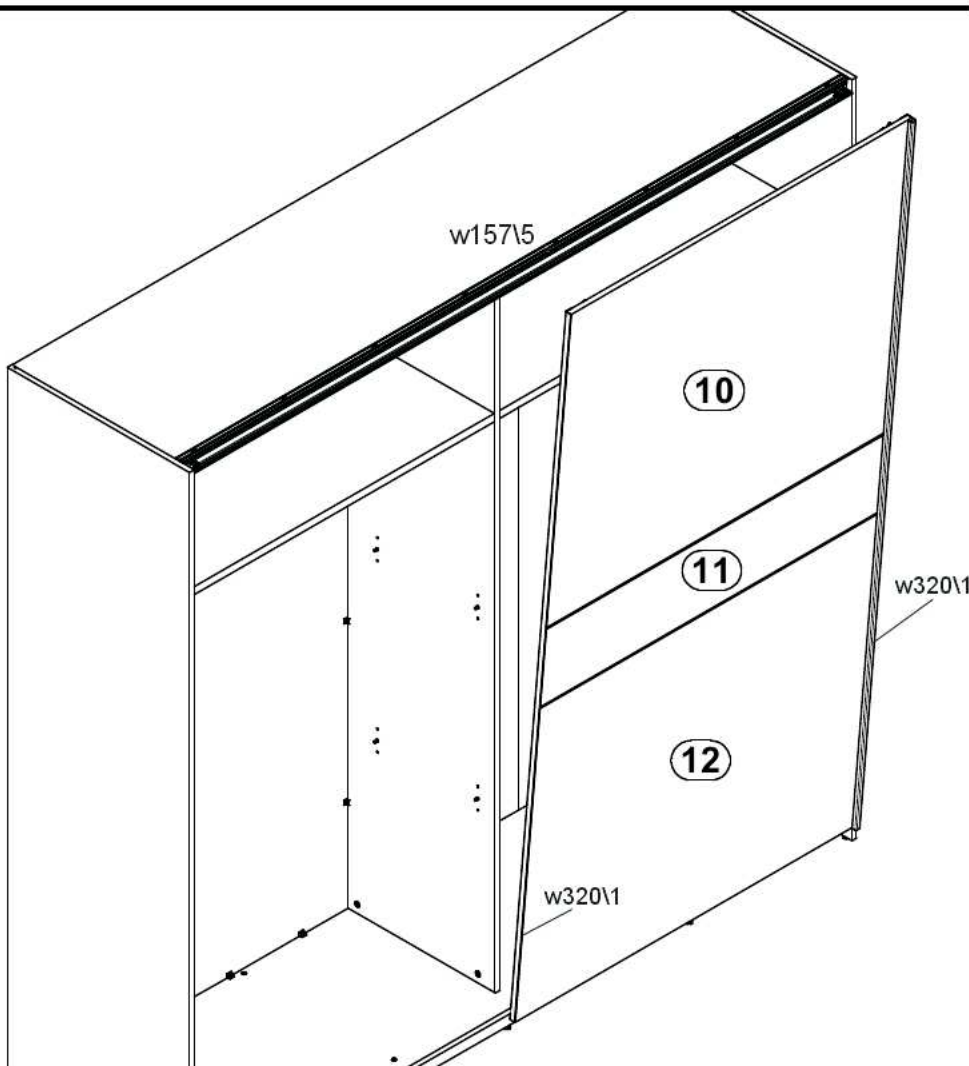
9



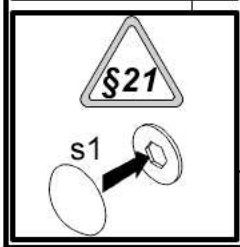
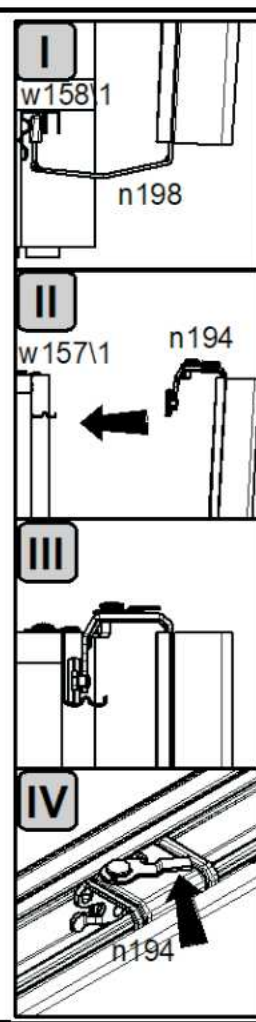
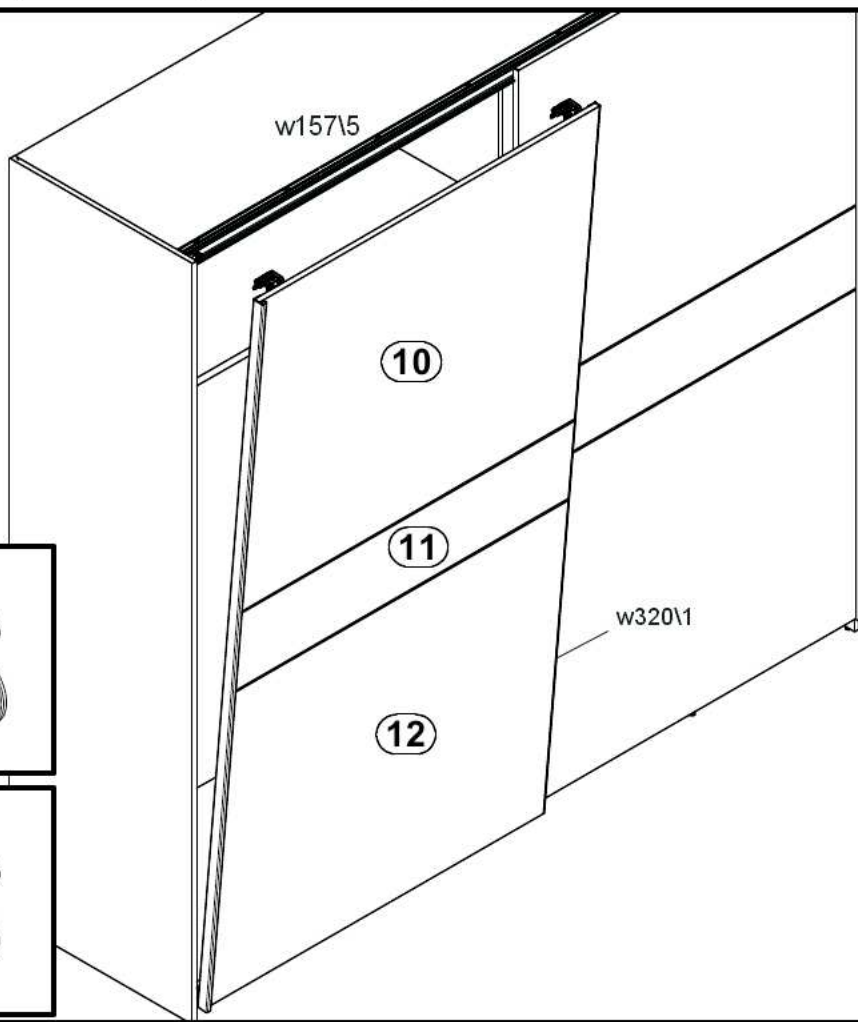
10



11

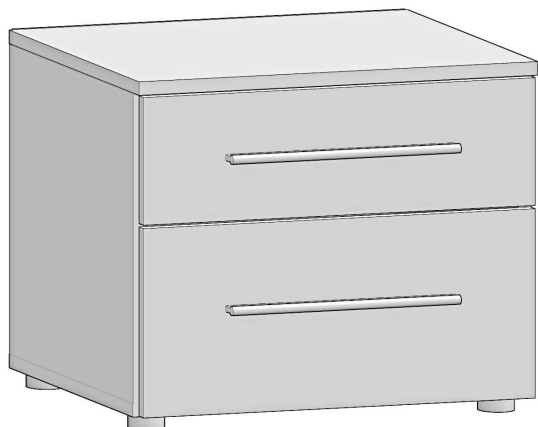


12

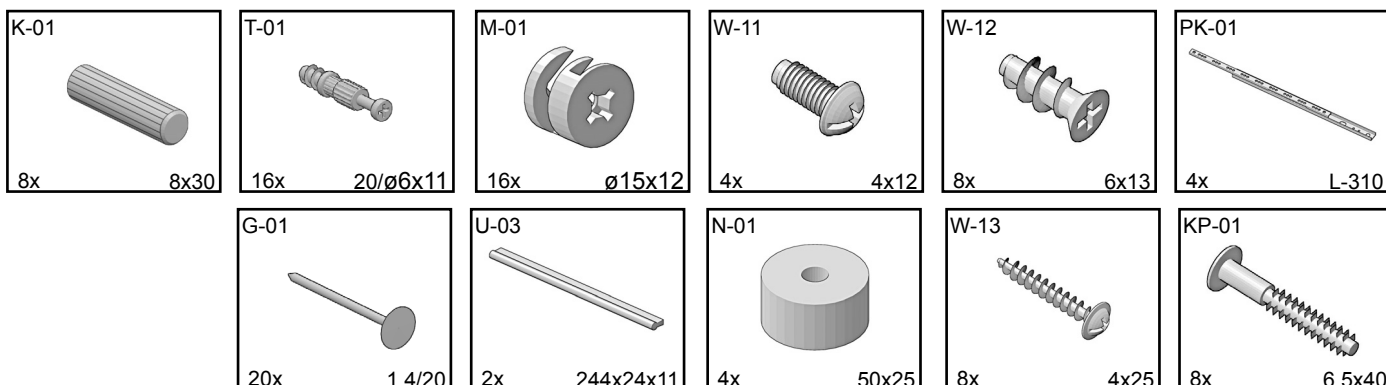


VICTORIA / MARTINA

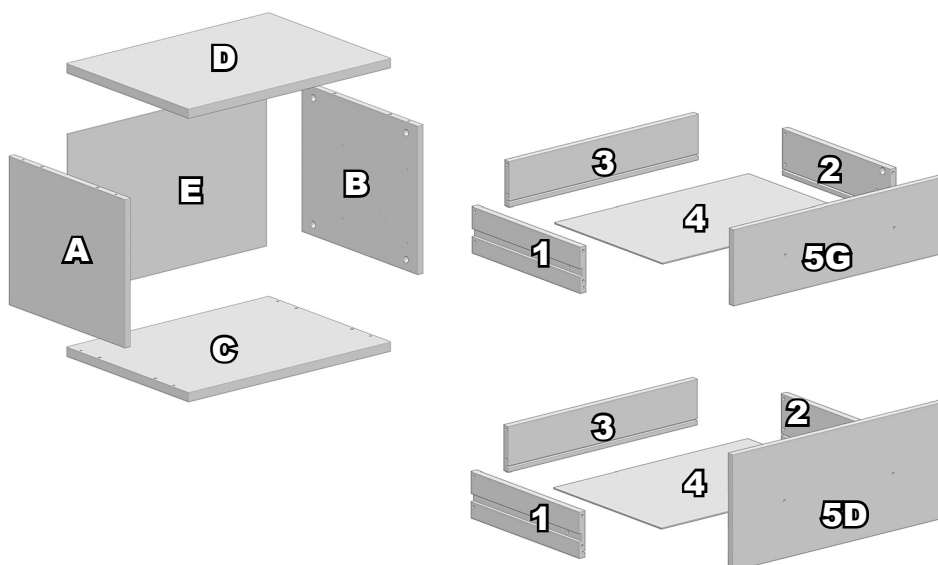
VIKTORIA / MARTINA E3 001



- FR** SECURITE
RESPECTER LES INSTRUCTIONS DE MONTAGE DECRITES DANS LA NOTICE.
- EN** CAUTION
FOLLOW CAREFULLY THE ASSEMBLY INSTRUCTIONS DESCRIBED IN THE DIRECTIONS.
- DE** SICHERHEITSVORSCHRIFTEN
BEACHTEN SIE BITTE UNBEDINGT DIE ANGEGEBENEN AUFBAUVORSCHRIFTEN.
- ES** SEGURIDAD
RESPECTAR LAS INSTRUCCIONES DE MONTAJE DESCRIBIDAS EN EL FOLLETO.
- NL** VEILIGHEID
DE IN DE GEBRUIKSAANWIJZING BESCHREVEN INSTRUCTIES RESPECTEREN.
- IT** SICUREZZA
RISPETTARE LE ISTRUZIONI DI MONTAGGIO DESCRITTE NEEL'AVVERTENZA.
- PT** SEGURANCA
RESPECTAR AS INSTURACOS, DE MONTAGEM DESCRÉVIDAS NA INSTRUCCOES DE
- PL** UWAGA
PROSZE, PRZESTRZEGAC INSTRUKCJI MONTAZU.

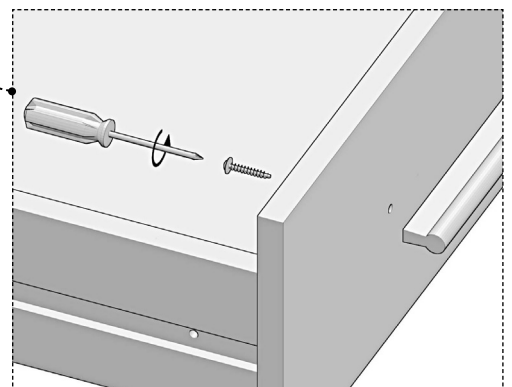
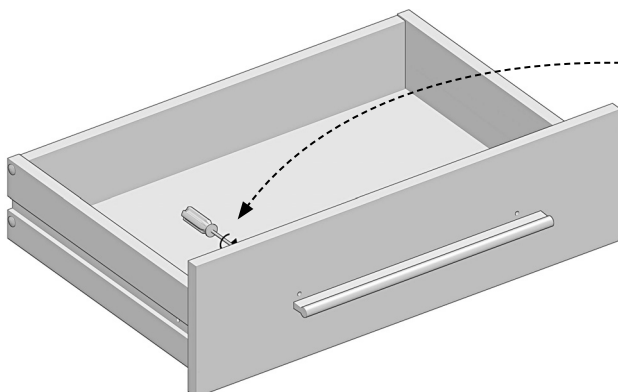
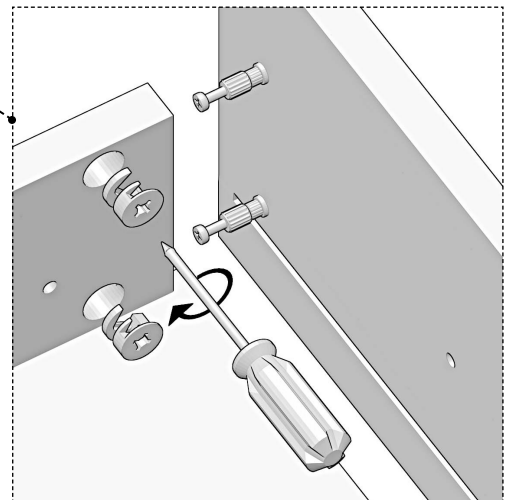
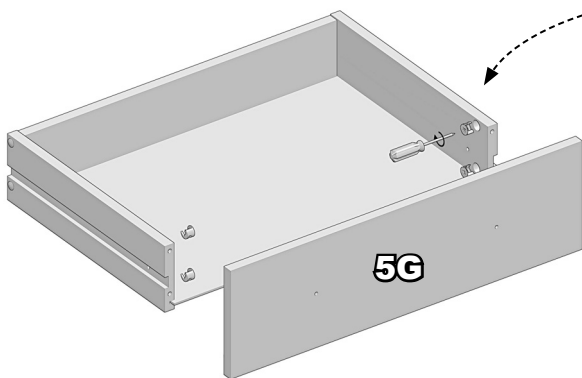
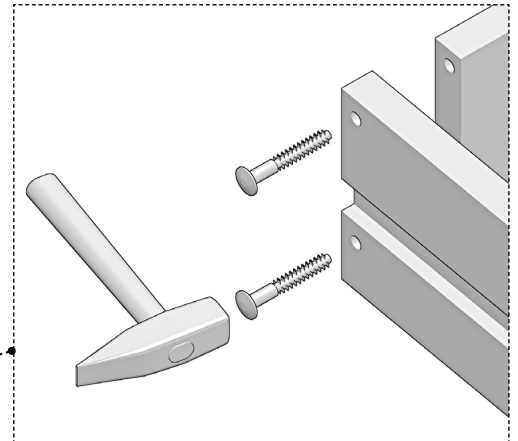
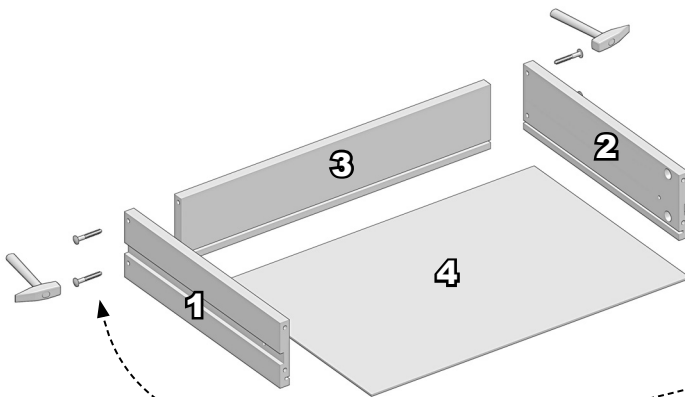
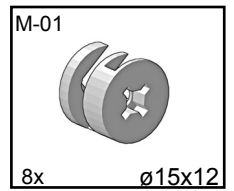
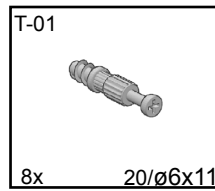
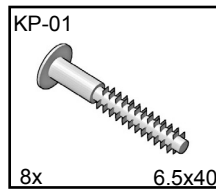
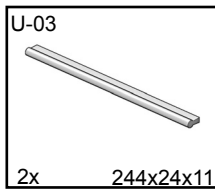
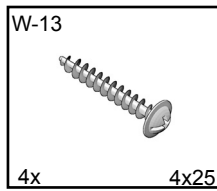


REP	DIM	QTE
A	345 x 395 x 15	1
B	345 x 395 x 15	1
C	460 x 395 x 15	1
D	460 x 413 x 15	1
E	454 x 370 x 3	1
1	350 x 100 x 15	2
2	350 x 100 x 15	2
3	391 x 98 x 15	2
4	403 x 346 x 3	2
5G	452 x 140 x 15	1
5D	452 x 208 x 15	1



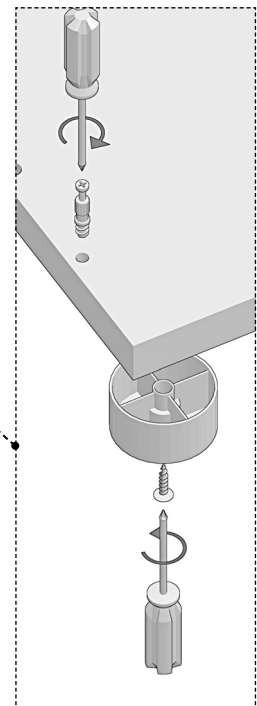
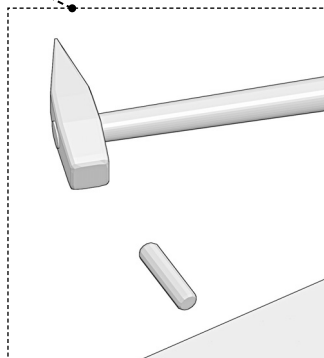
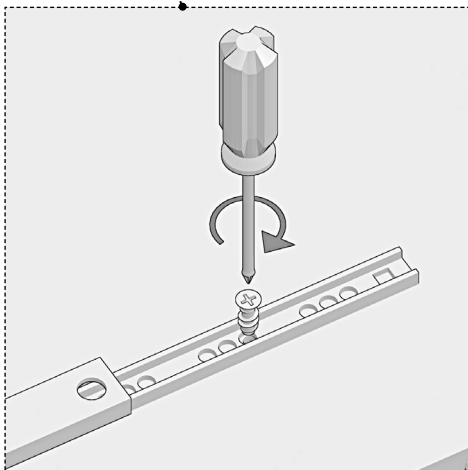
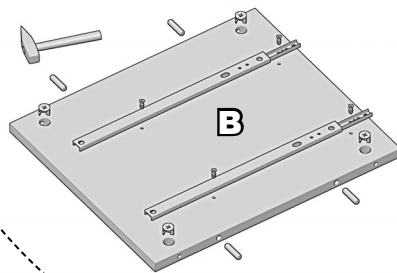
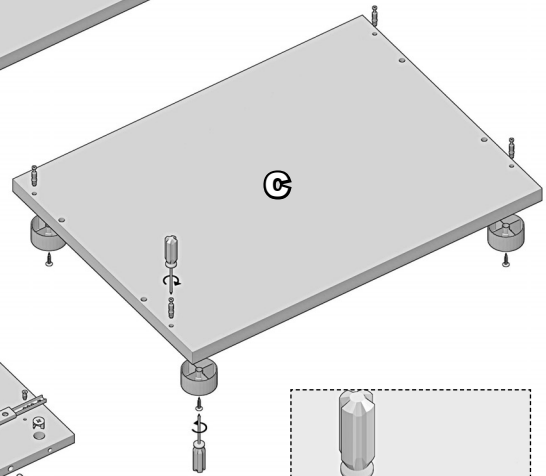
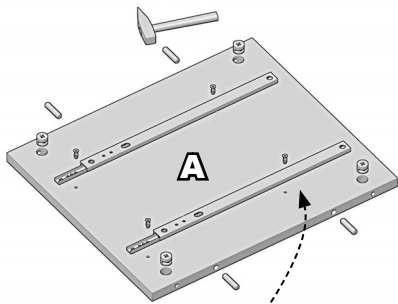
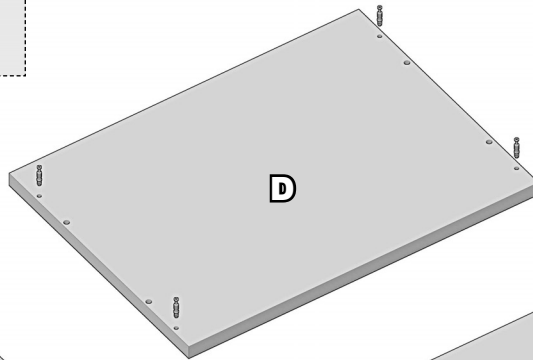
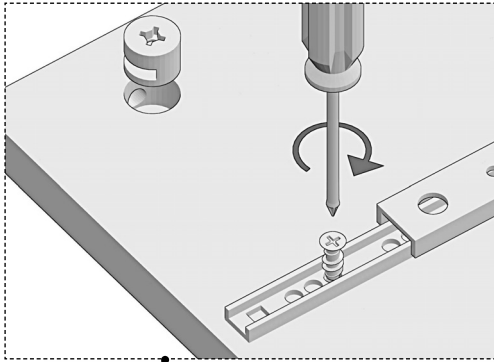
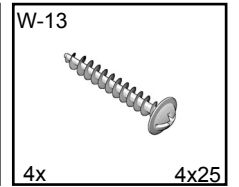
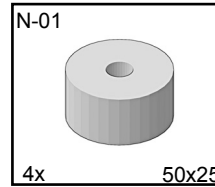
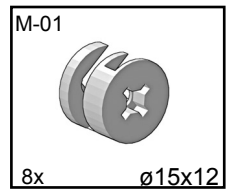
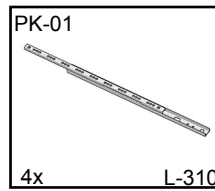
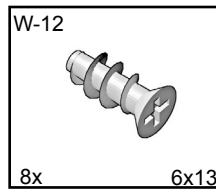
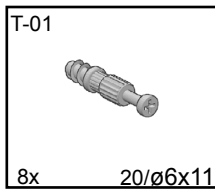
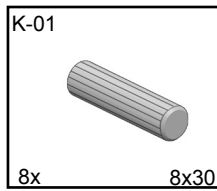
VICTORIA / MARTINA

VICTORIA / MARTINA E3 001



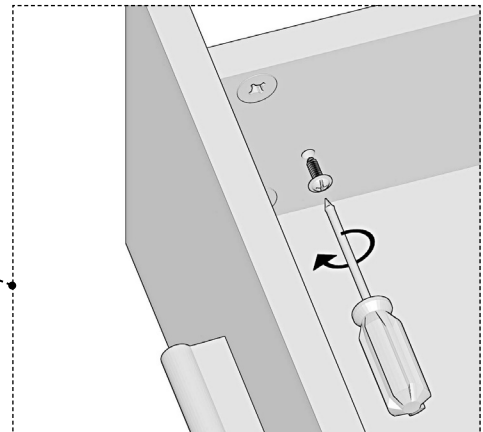
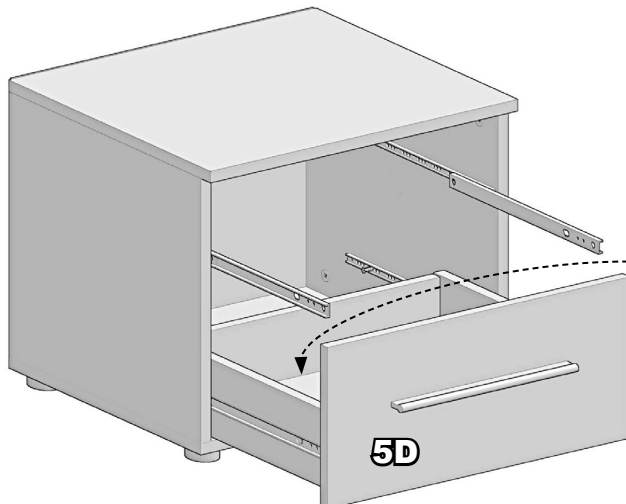
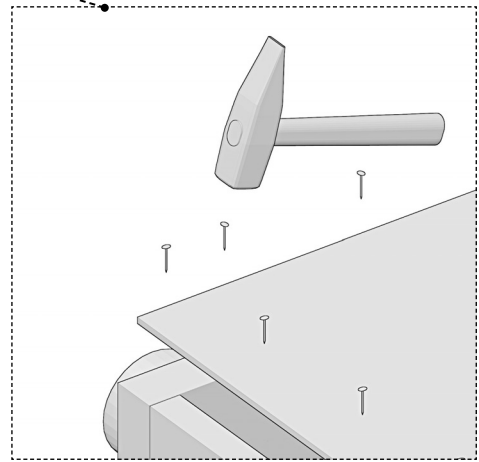
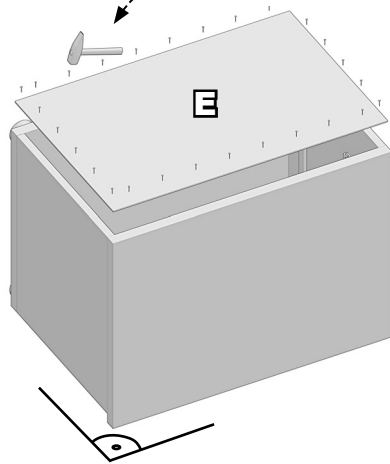
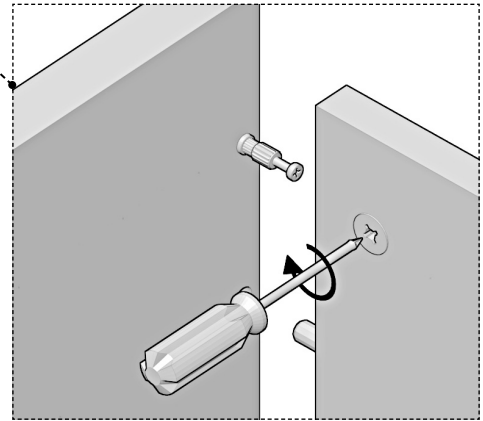
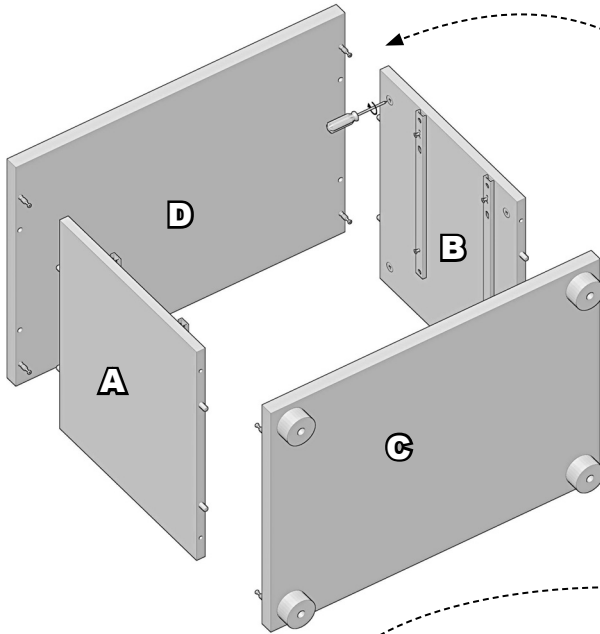
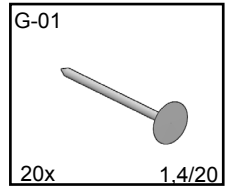
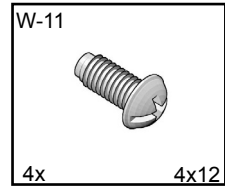
VICTORIA / MARTINA

VIKTORIA / MARTINA E3 001



VICTORIA / MARTINA

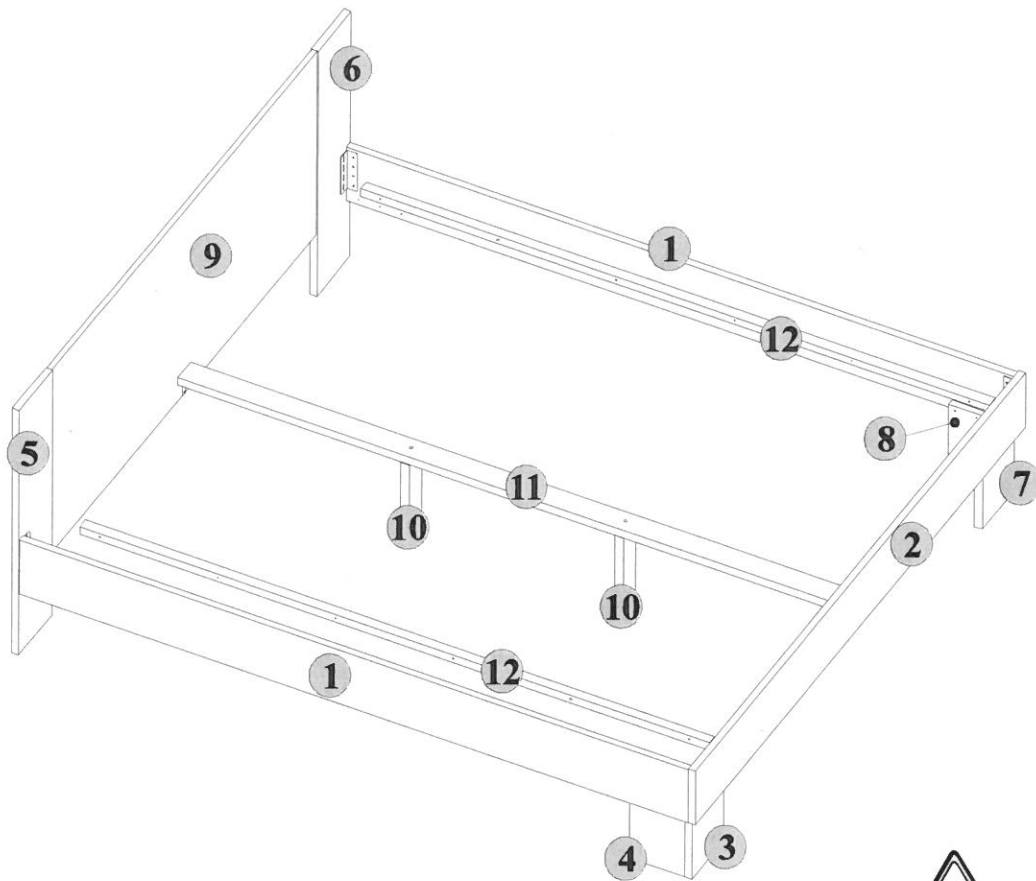
VICTORIA / MARTINA E3 001



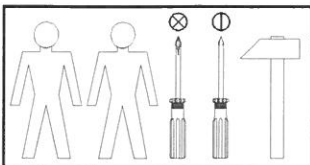
22-016-05

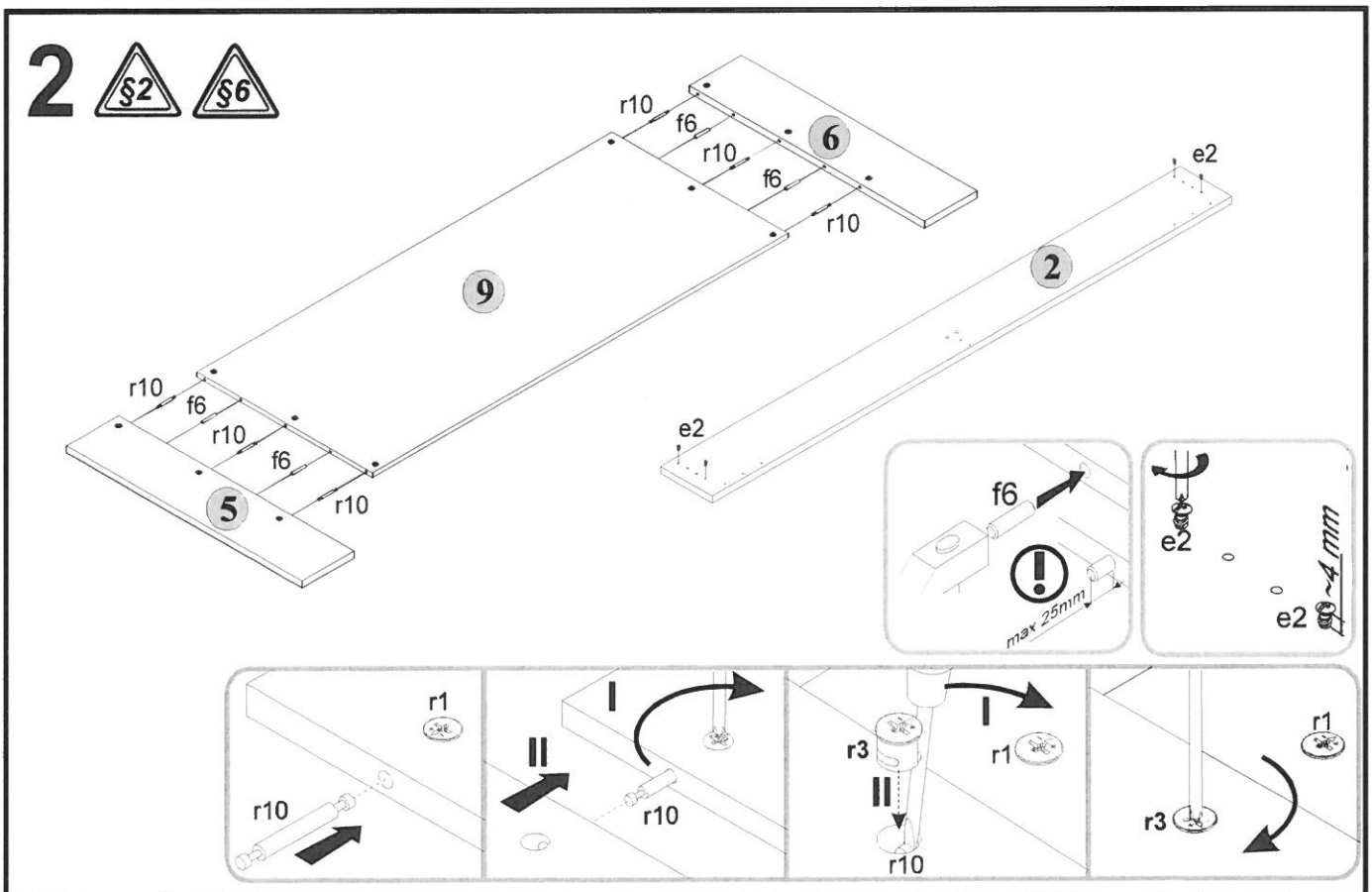
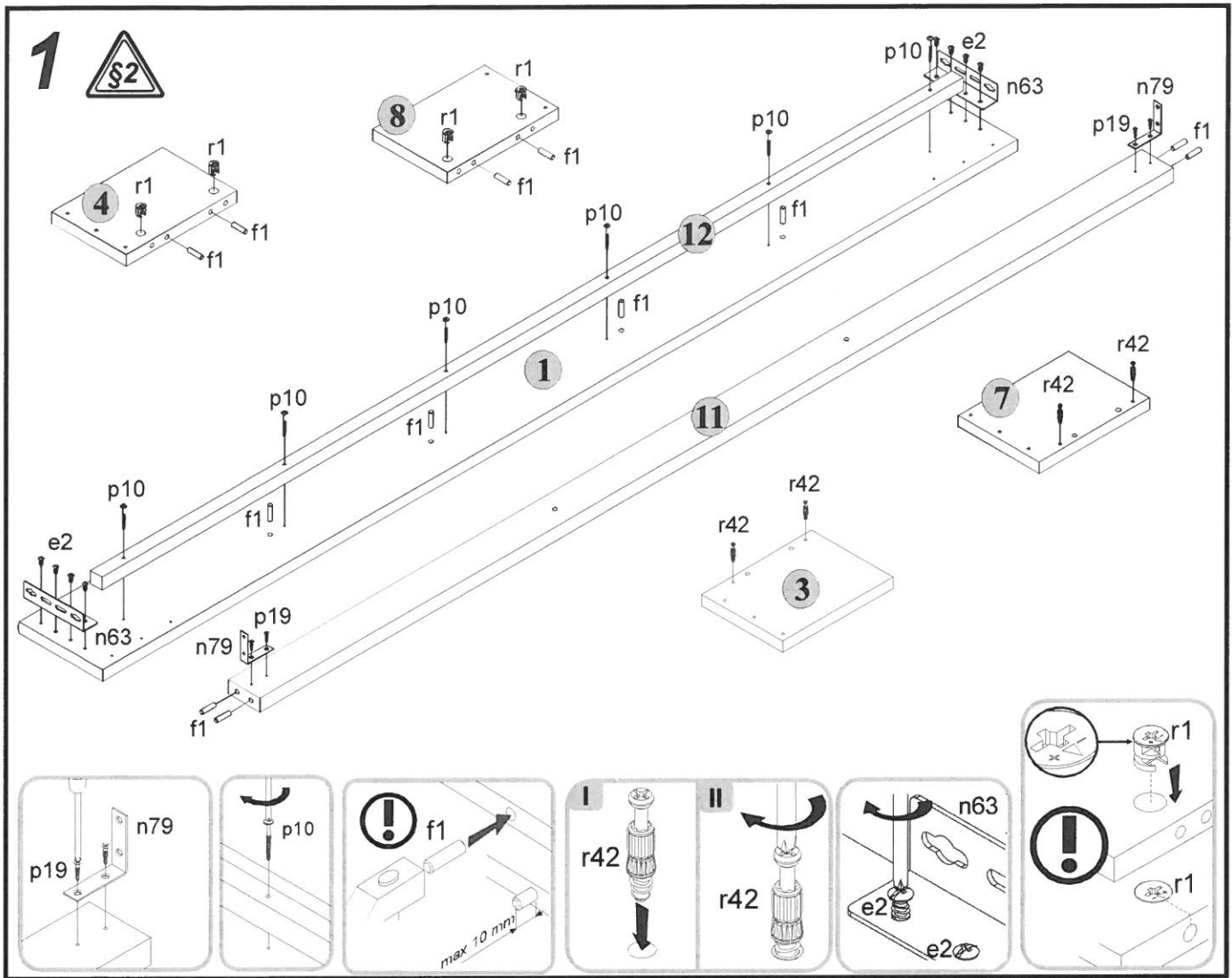
WIKTOR_BRW
MARTINA

S310-LOZ/160
L21-LOZ/160

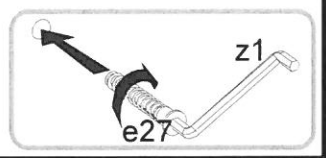
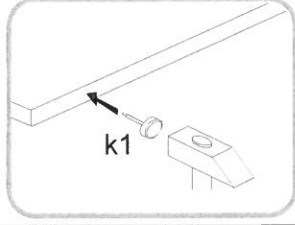
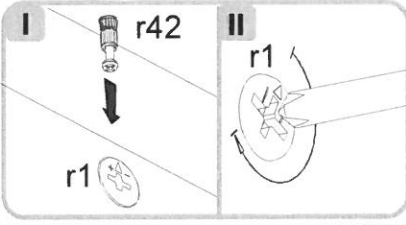
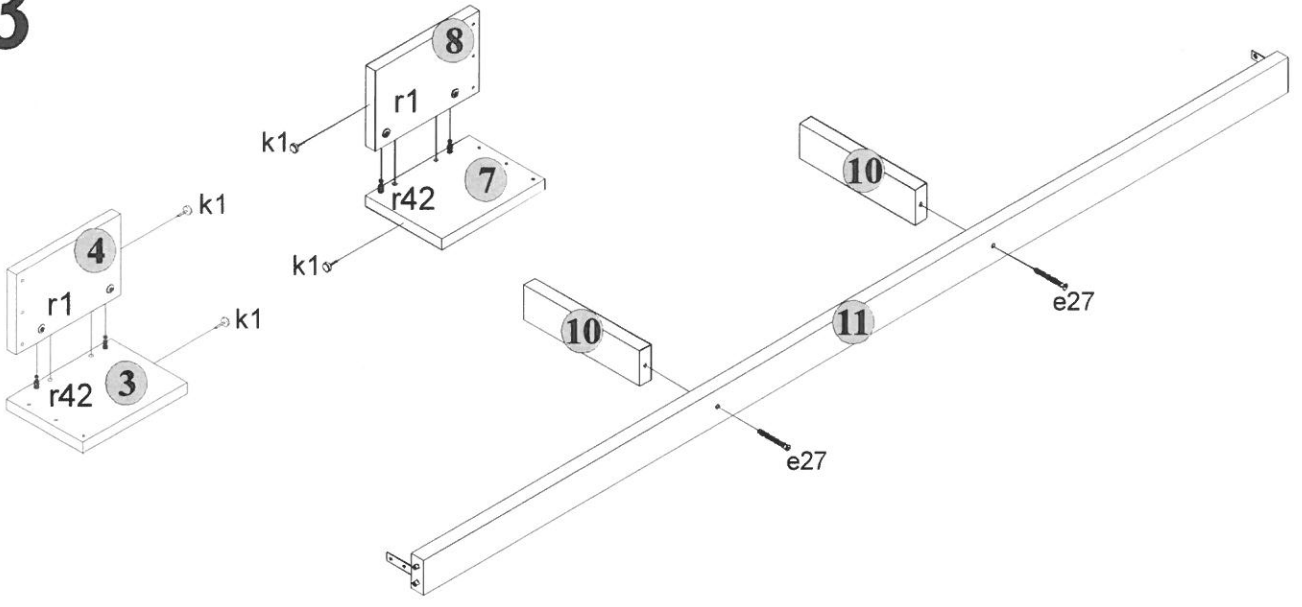


A	B	C	D
1	S310-101	1997x185	1
2	S310-501	1646x186	1
3	L21-504	242x178	1
4	L21-505	242x163	1
5	L21-506	840x185	1
6	L21-507	840x185	1
7	L21-508	242x178	1
8	L21-509	242x163	1
9	S310-502	1276x628	2
10	MZ1-706	274x70	1
11	MZ1-707	2000x70	1
12	ZZ1-747	1880x25	1

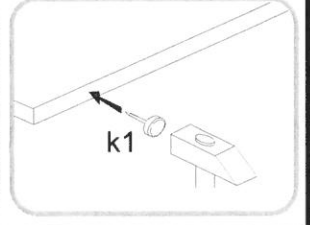
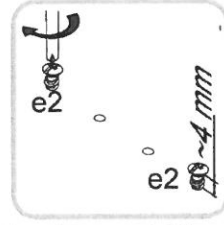
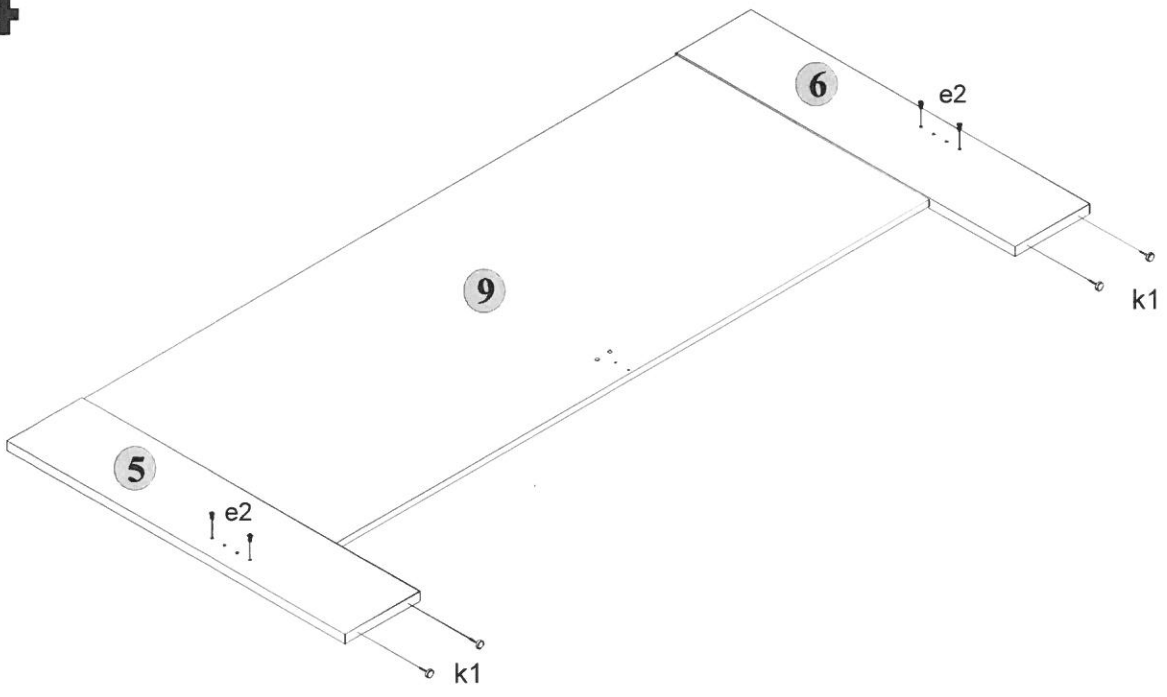




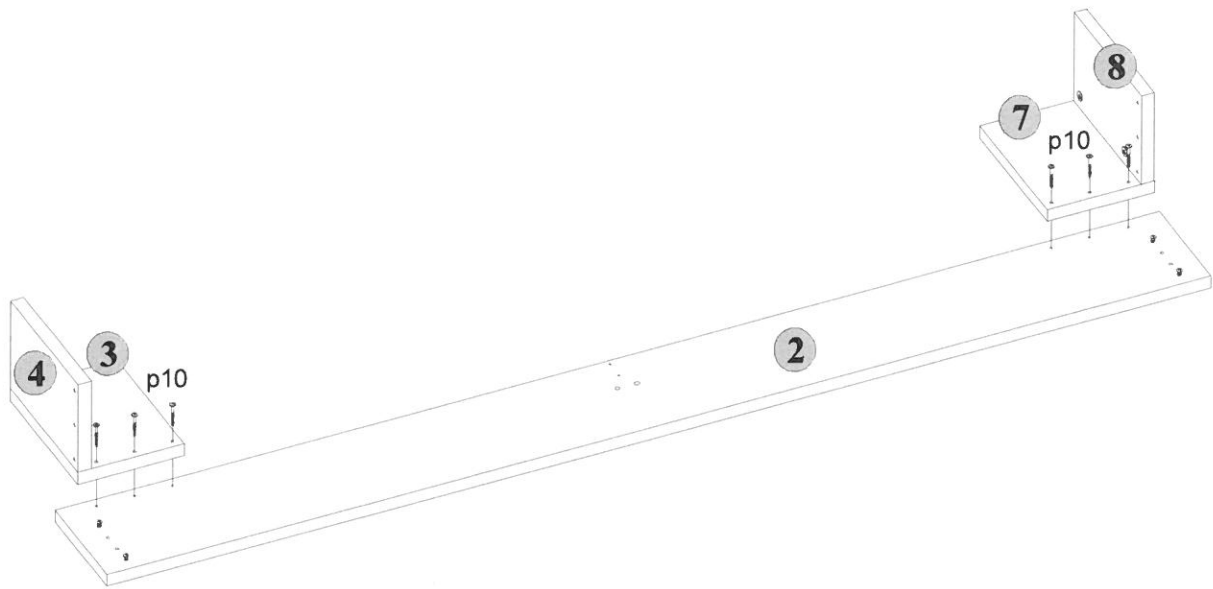
3



4



5



6

