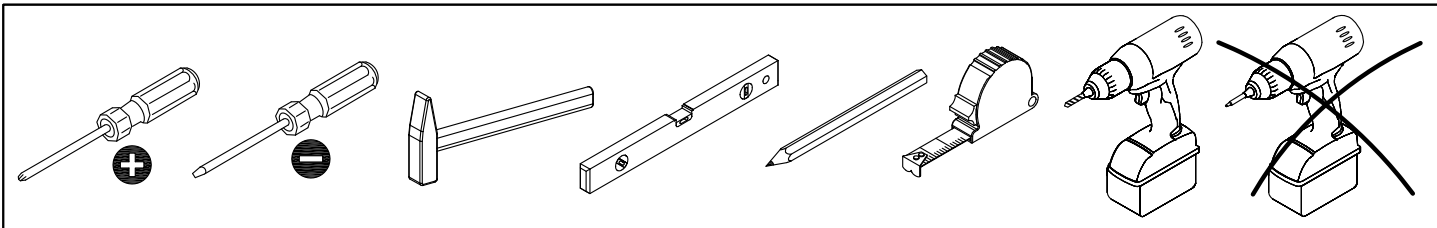
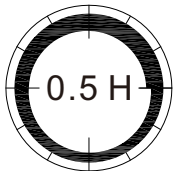
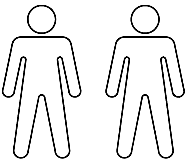
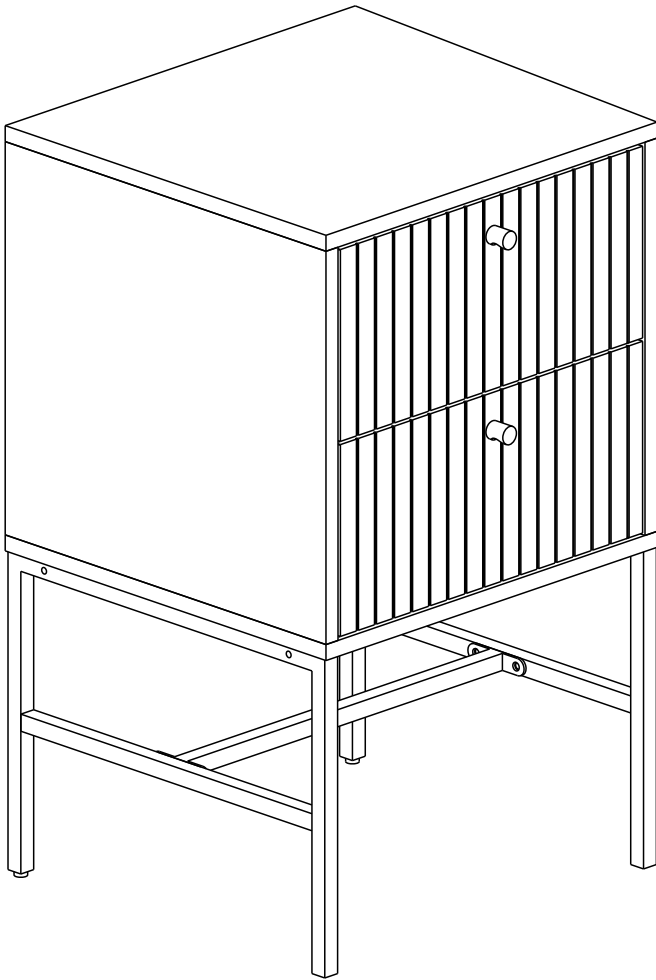
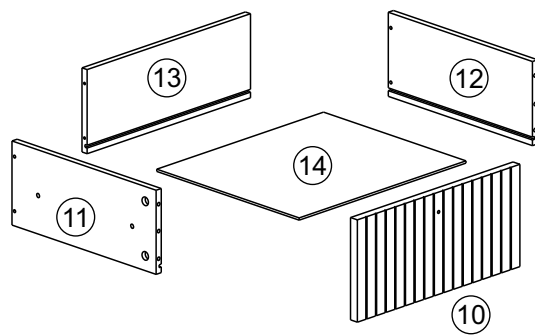
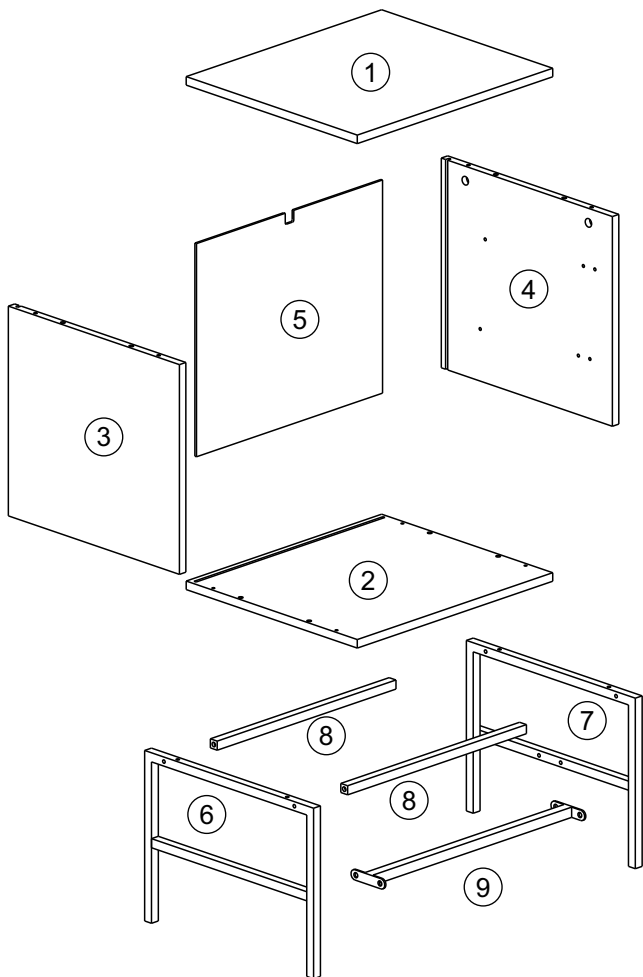


ALBANY

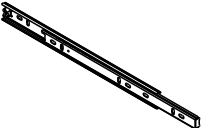
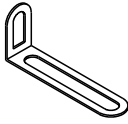
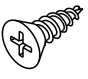
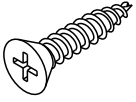
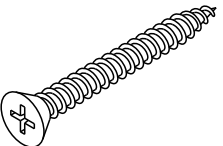
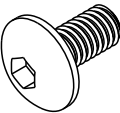
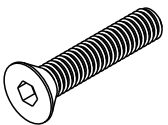
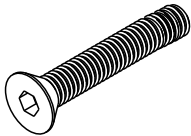
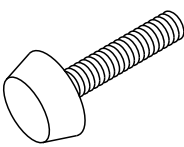

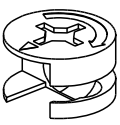
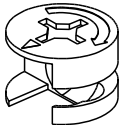
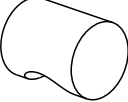
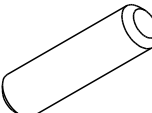
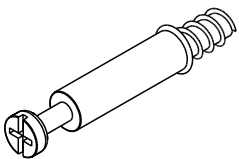
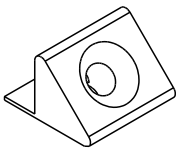
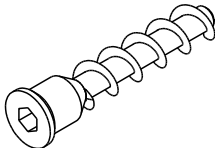
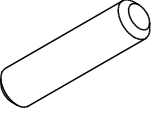
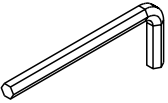
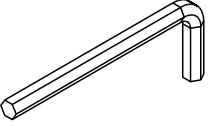


			✓
①	1	456x400x15mm	
②	1	456x400x15mm	
③	1	400x369x15mm	
④	1	400x369x15mm	
⑤	1	435x379x4mm	
⑥	1	395x305x16mm	
⑦	1	395x305x16mm	

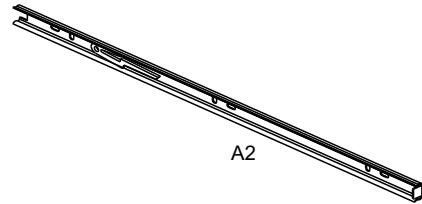
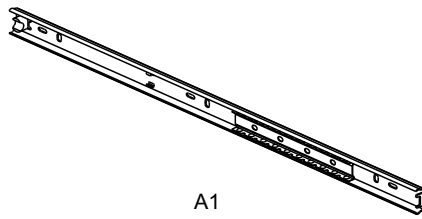
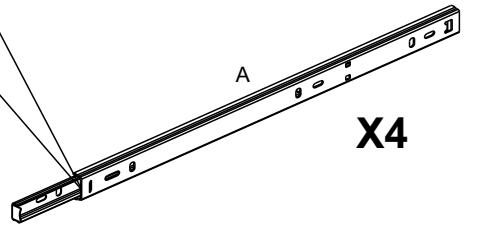
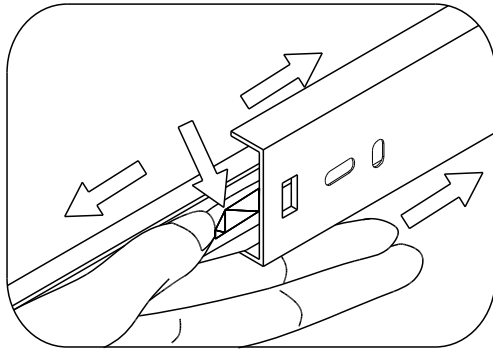
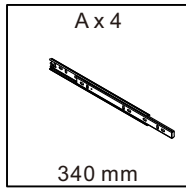
			✓
⑧	2	418x16x16mm	
⑨	1	418x70x16mm	
⑩	2	419x180x16mm	
⑪	2	341x148x12mm	
⑫	2	341x148x12mm	
⑬	2	382x148x12mm	
⑭	2	391x337x4mm	



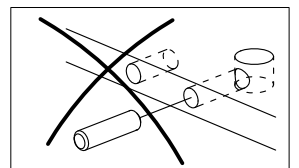
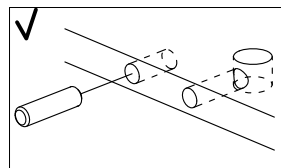
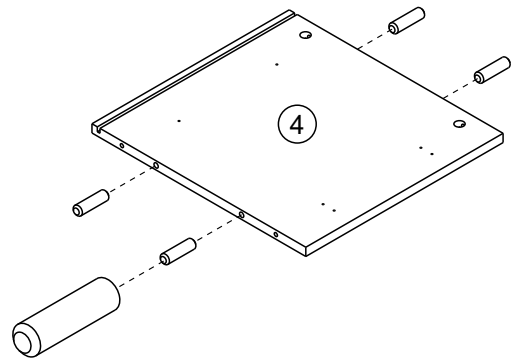
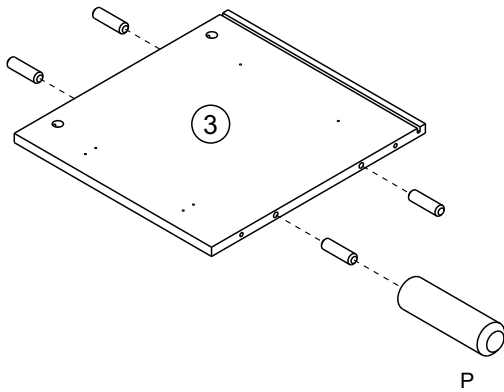
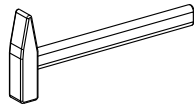
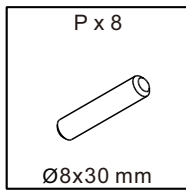
X2

<p>A x 4</p>  <p>340 mm</p>	<p>B x 1</p>  <p>75x25x15 mm</p>	<p>C x 20</p>  <p>Ø3.5x12 mm</p>	<p>D x 4</p>  <p>Ø3.5x20 mm</p>	<p>E x 8</p>  <p>Ø4x35 mm</p>
<p>F x 6</p>  <p>M6x12 mm</p>	<p>G x 4</p>  <p>M6x25 mm</p>	<p>H x 4</p>  <p>M6x40 mm</p>	<p>J x 2</p>  <p>Ø13.5x25 mm</p>	<p>K x 2</p>  <p>M4x20 mm</p>
<p>L x 8</p>  <p>Ø15x9 mm</p>	<p>M x 4</p>  <p>Ø15x12 mm</p>	<p>N x 2</p>  <p>Ø17x22 mm</p>	<p>P x 8</p>  <p>Ø8x30 mm</p>	<p>Q x 12</p>  <p>Ø6x45 mm</p>
<p>R x 4</p>  <p>15x13x10 mm</p>	<p>S x 4</p>  <p>Ø5x38 mm</p>	<p>T x 4</p>  <p>Ø6x30 mm</p>	<p>U x 1</p>  <p>3 mm</p>	<p>V x 1</p>  <p>4 mm</p>

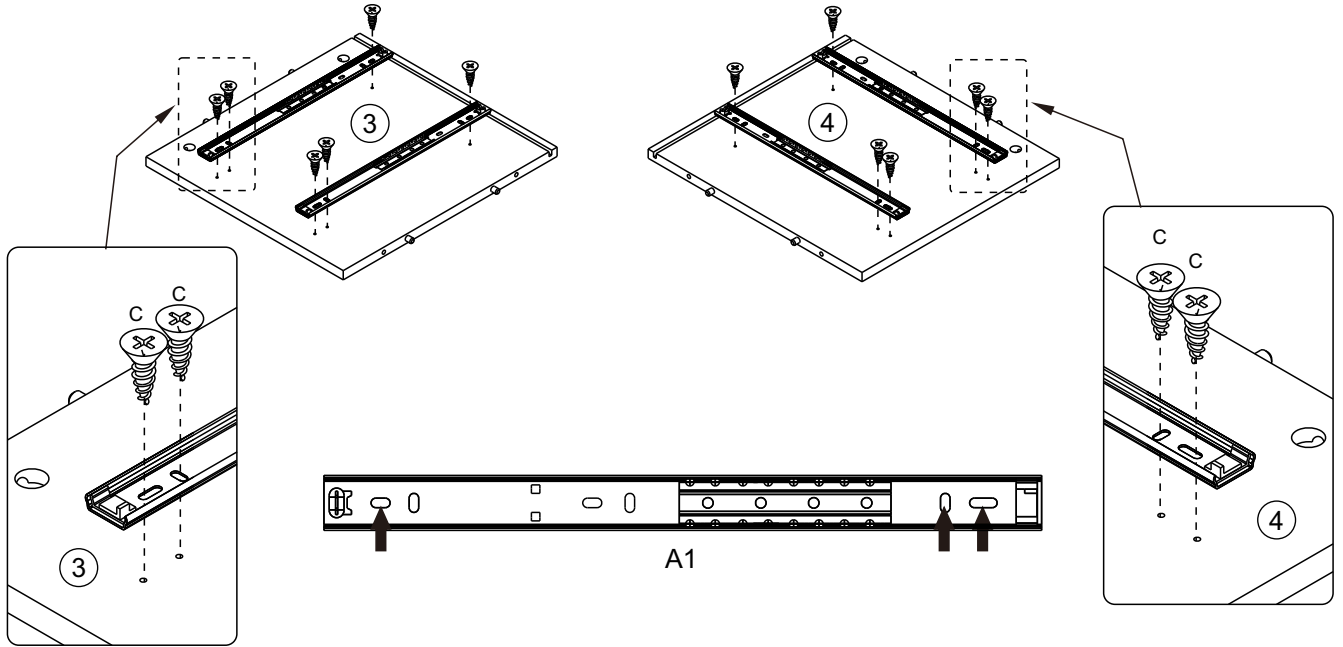
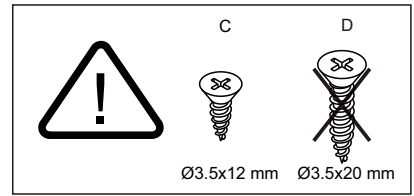
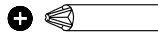
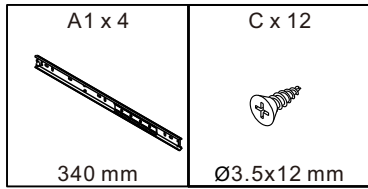
1



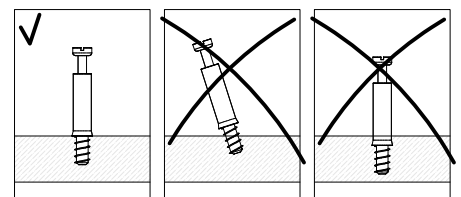
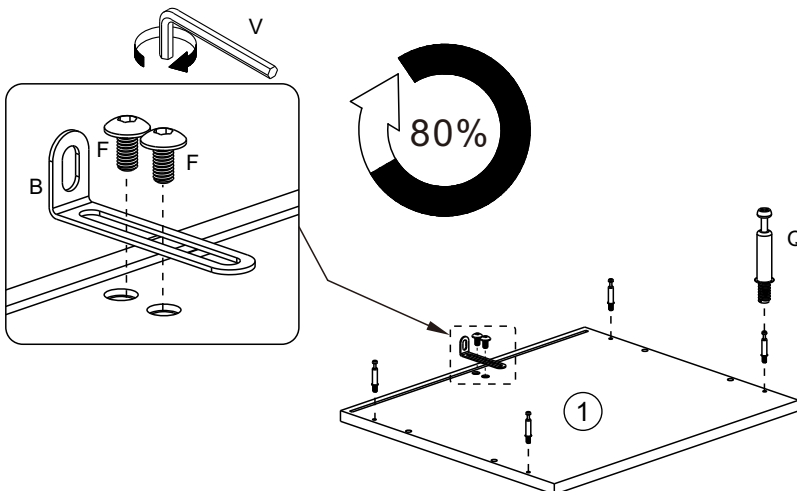
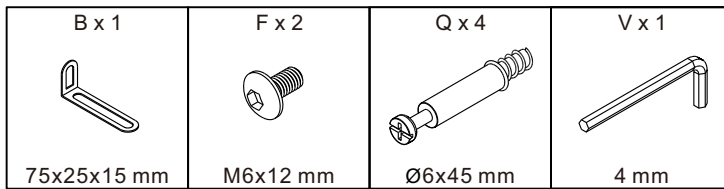
2



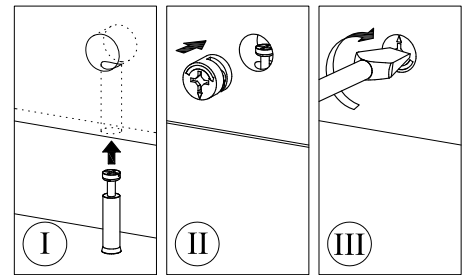
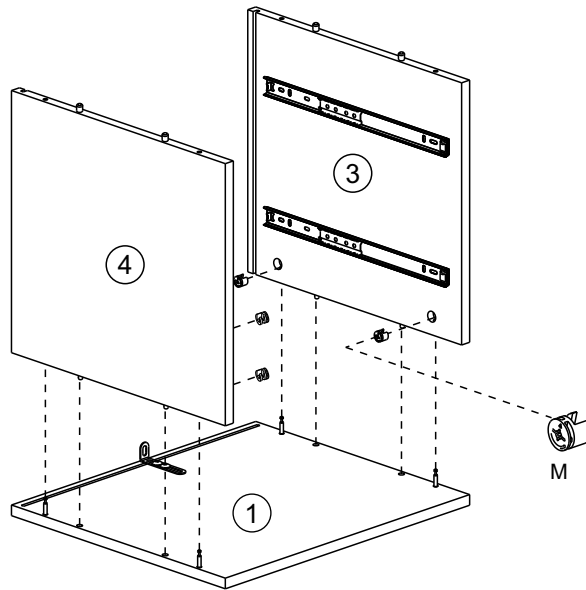
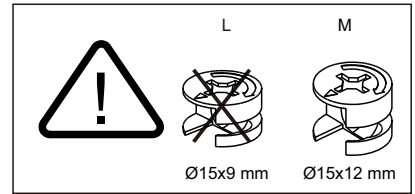
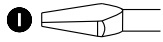
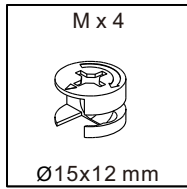
3



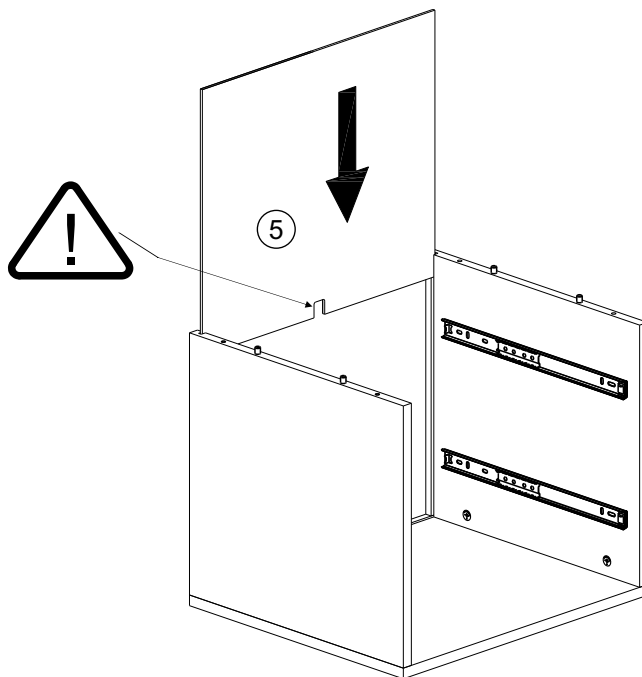
4



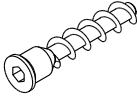

5

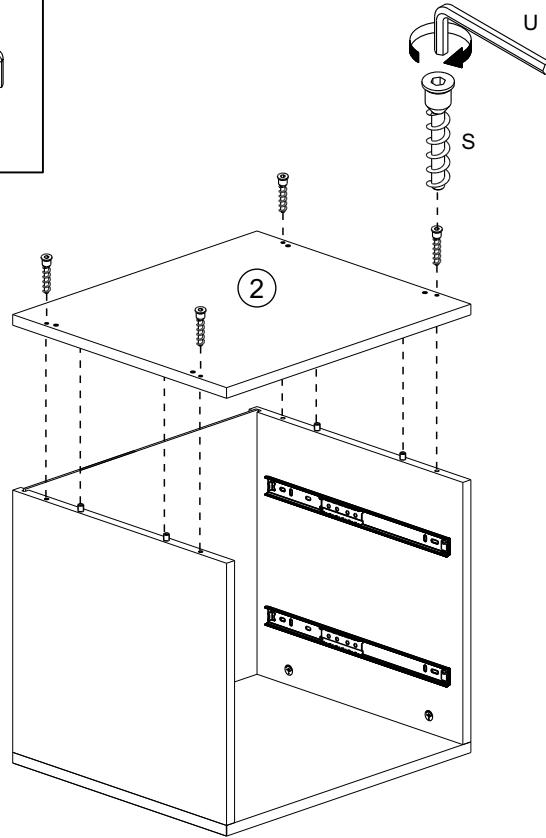


6



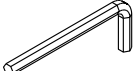


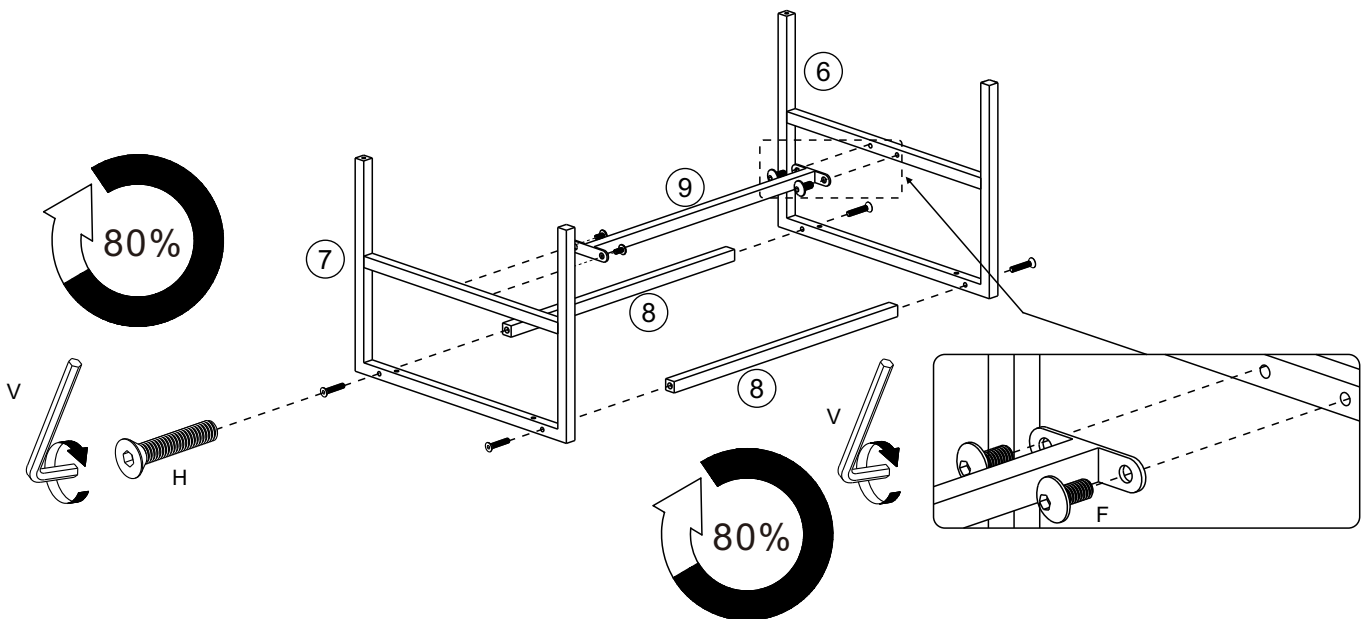
7

S x 4	U x 1
	
Ø5x38 mm	3 mm

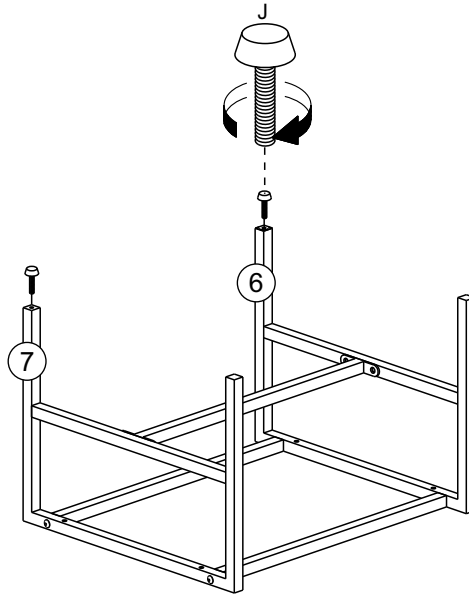
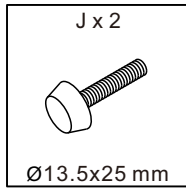


8

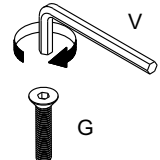
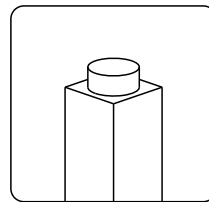
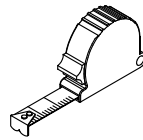
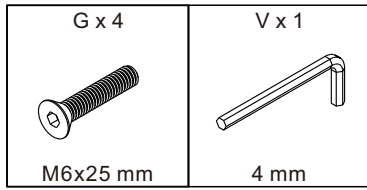
F x 4	H x 4	V x 1
		
M6x12 mm	M6x40 mm	4 mm



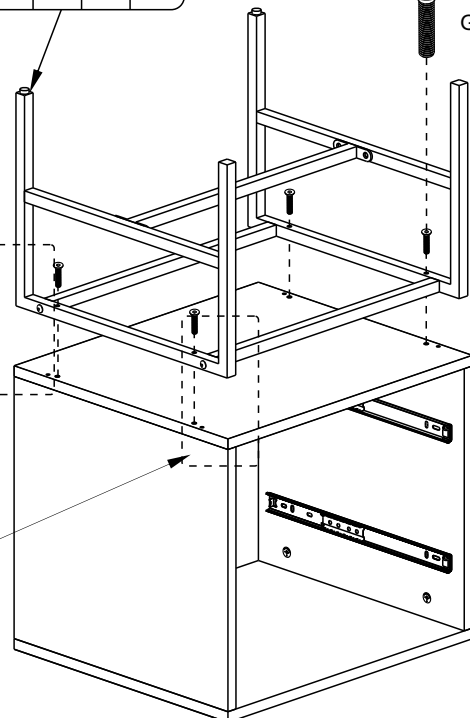
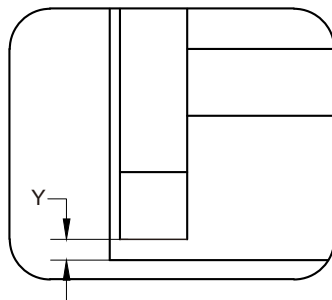
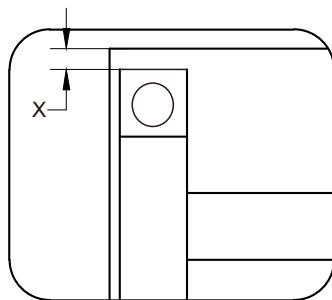
9



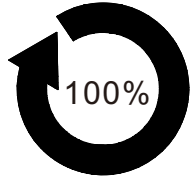
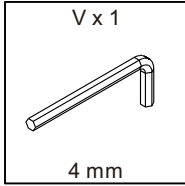
10



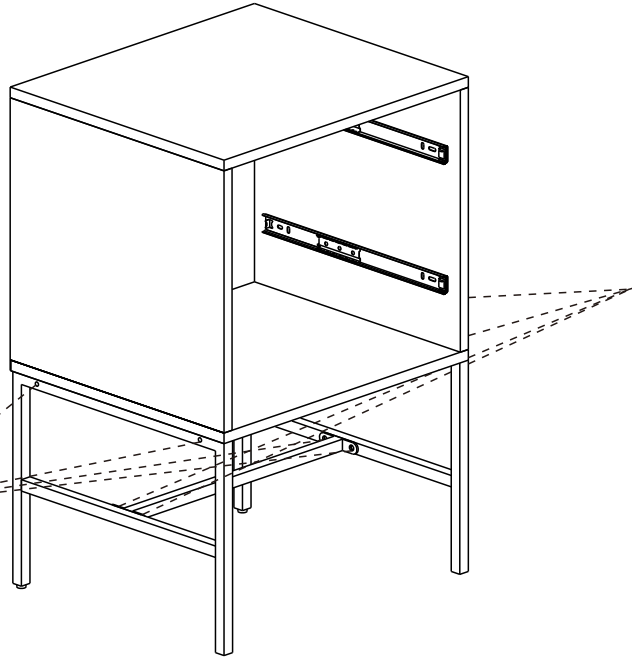
X=Y



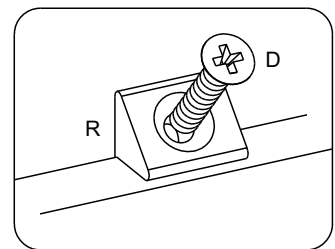
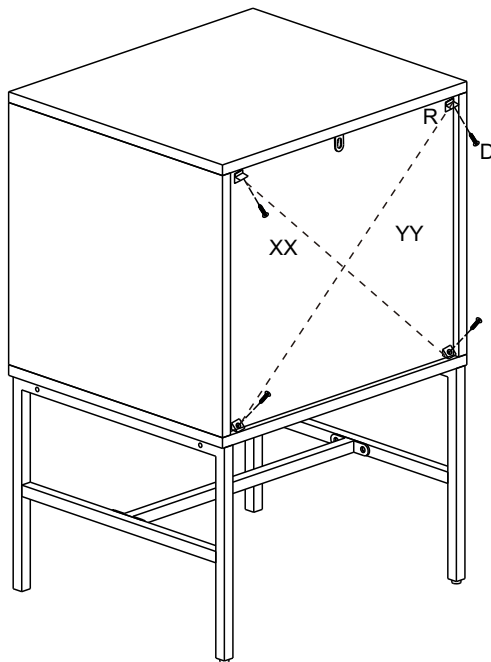
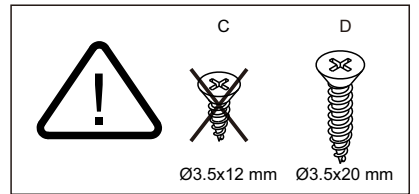
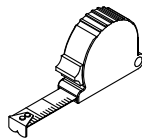
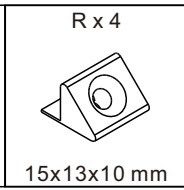
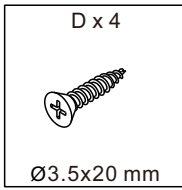
11



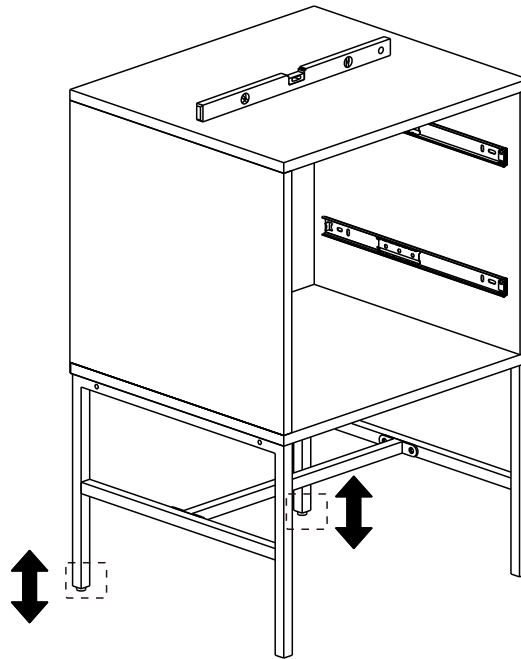
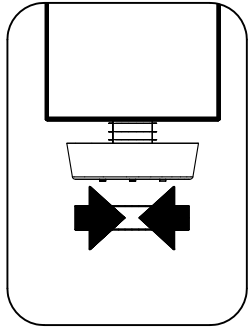
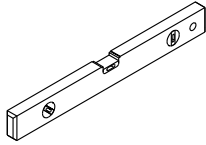
F x 4
H x 4



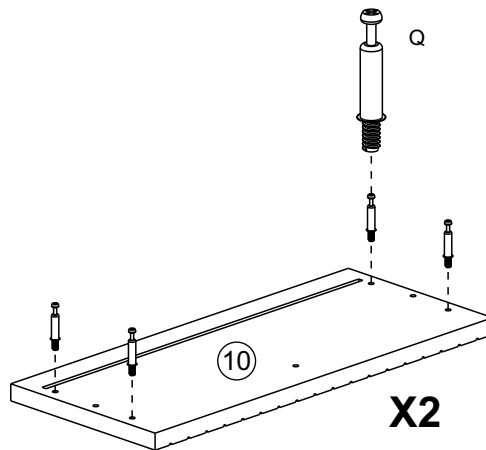
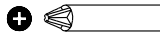
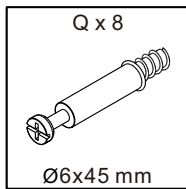
12



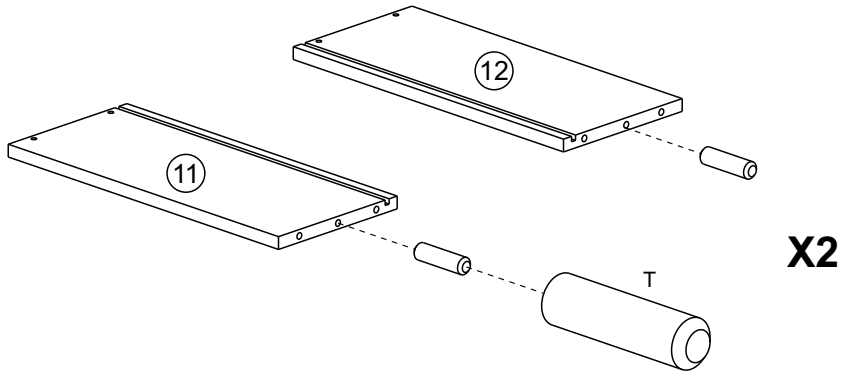
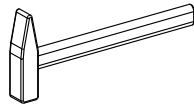
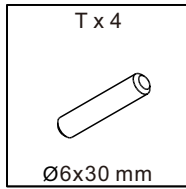
13



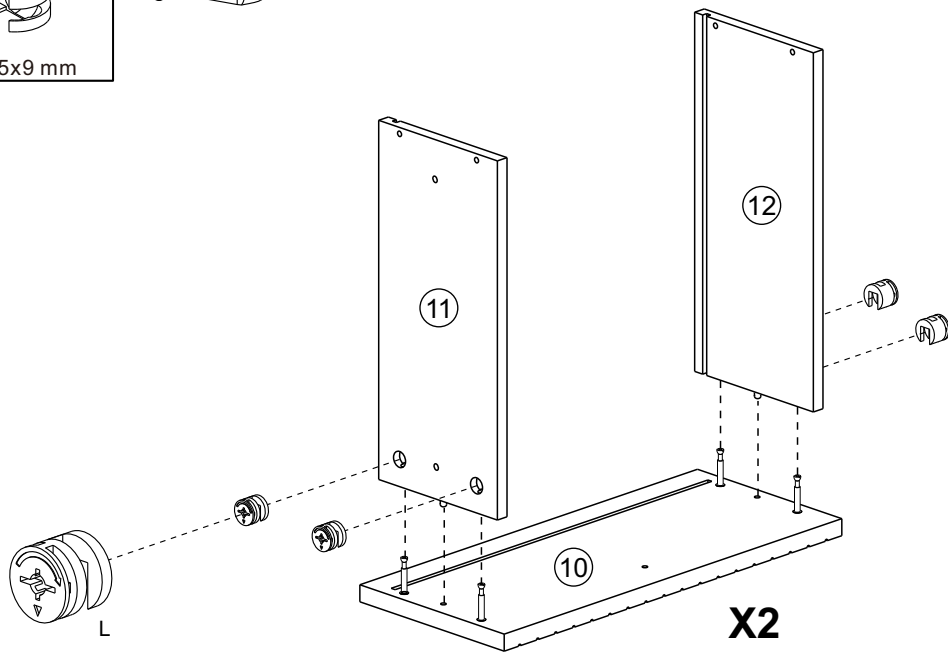
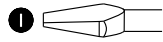
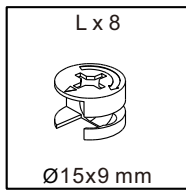
14



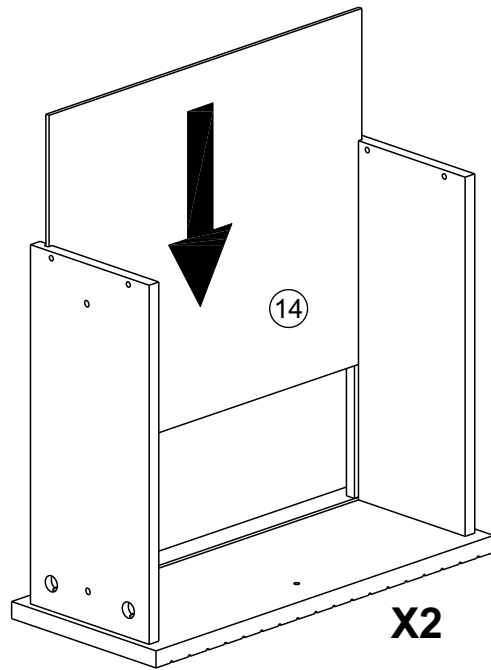
15



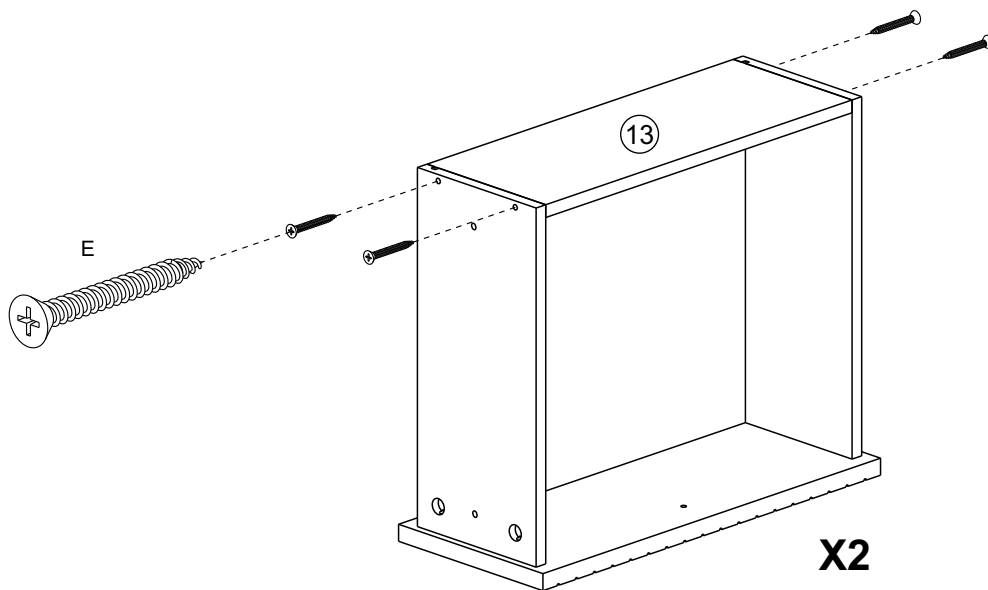
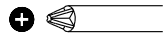
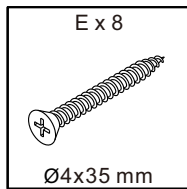
16



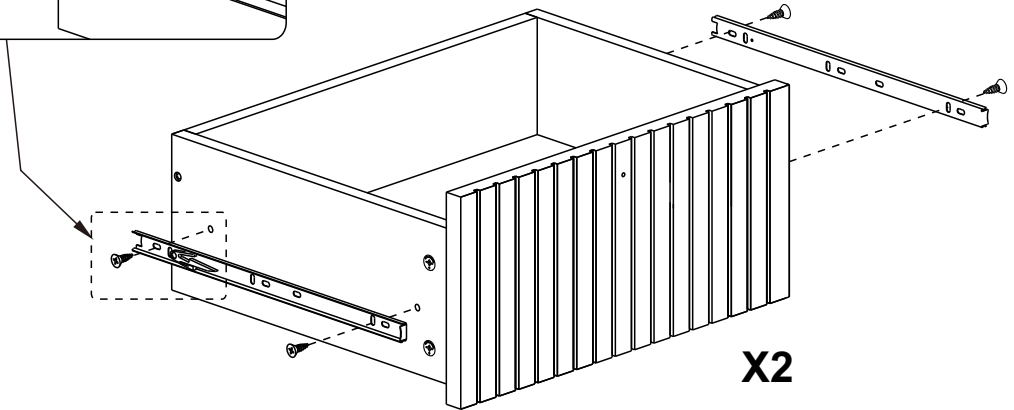
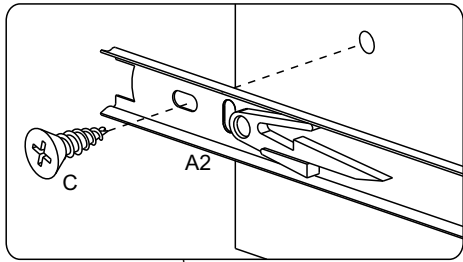
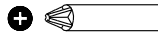
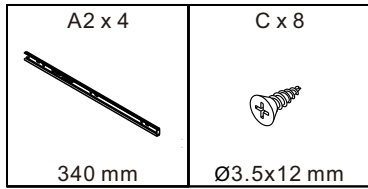
17



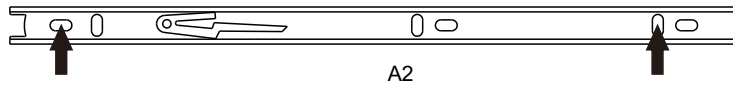
18



19

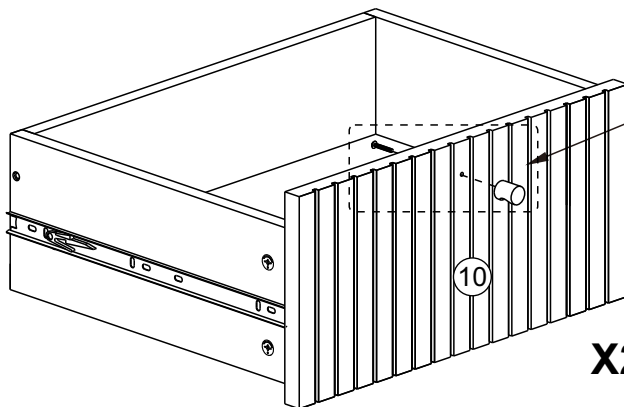
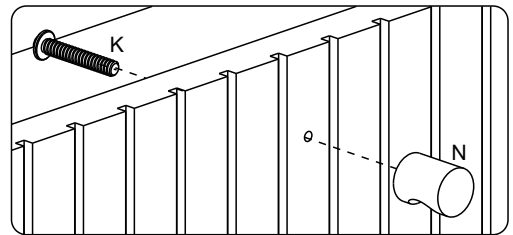
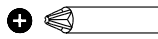
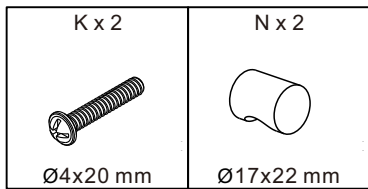


X2



A2

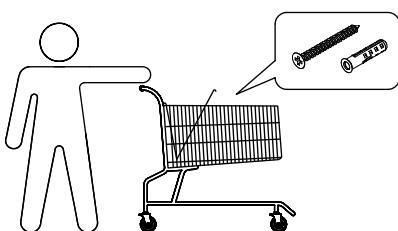
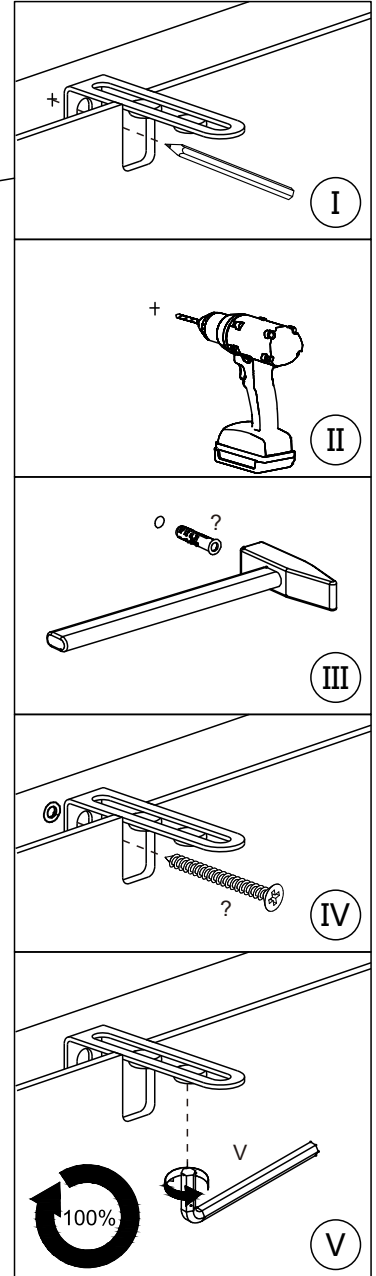
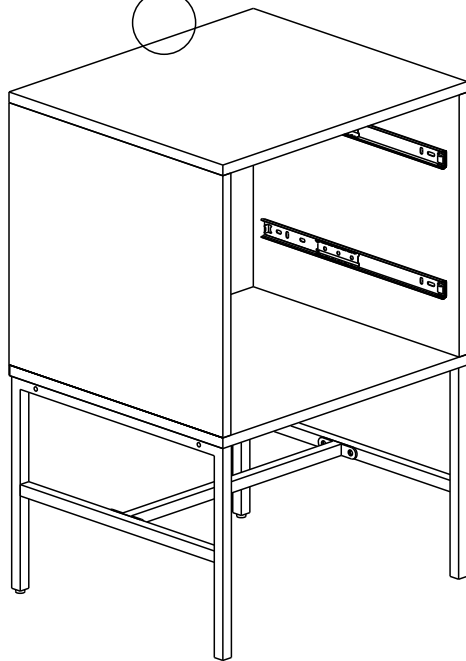
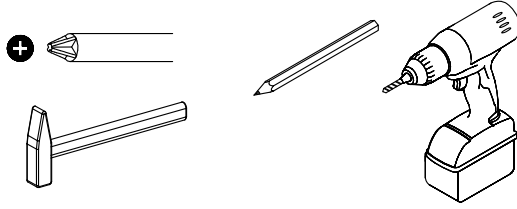
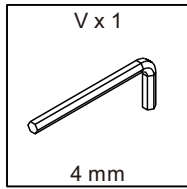
20



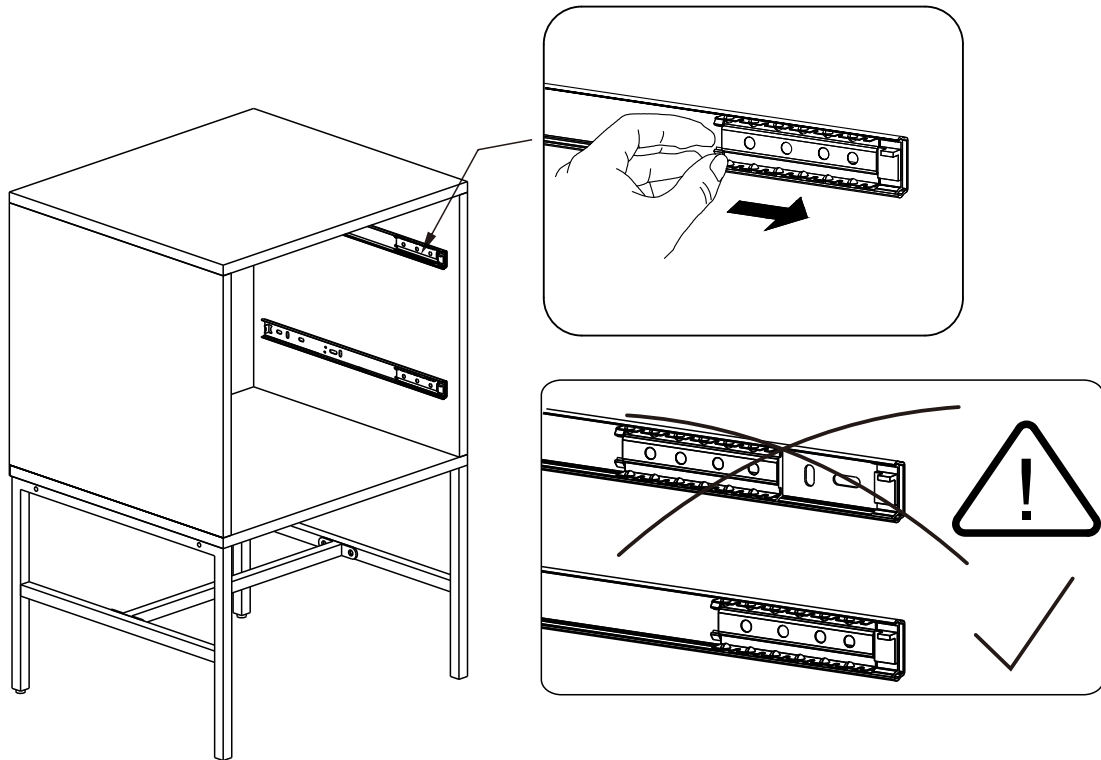
X2

10

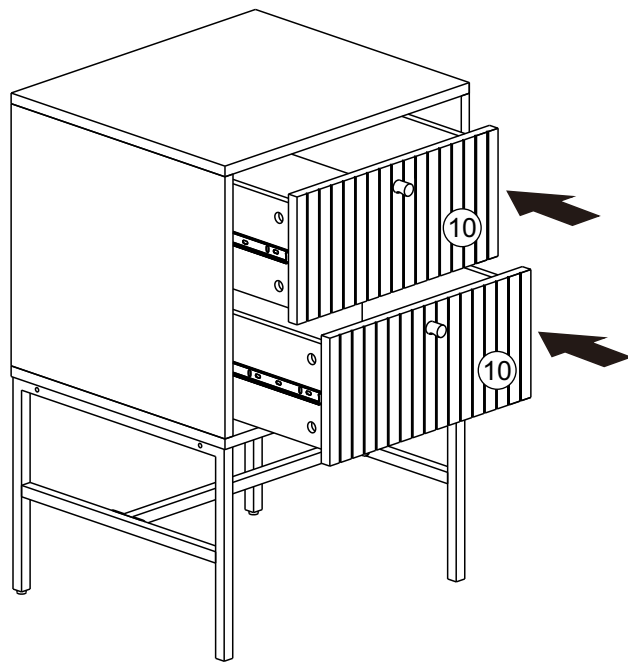
21



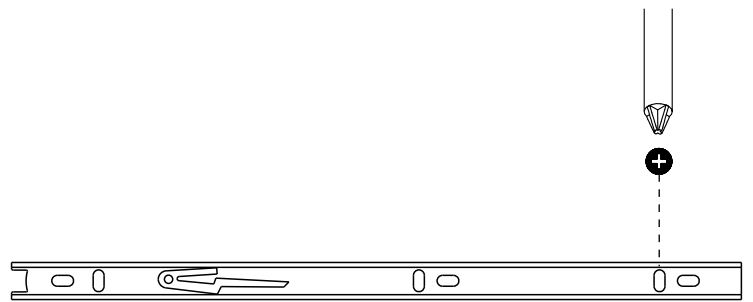
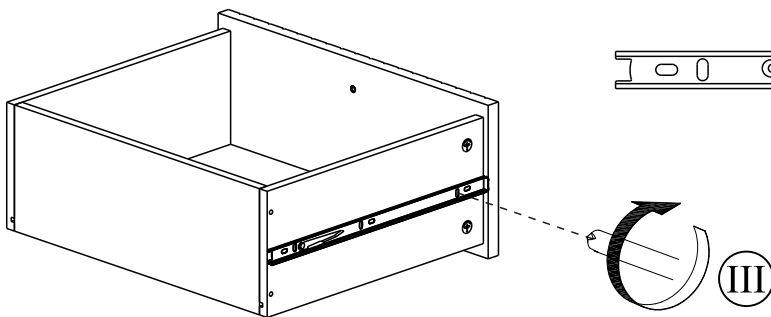
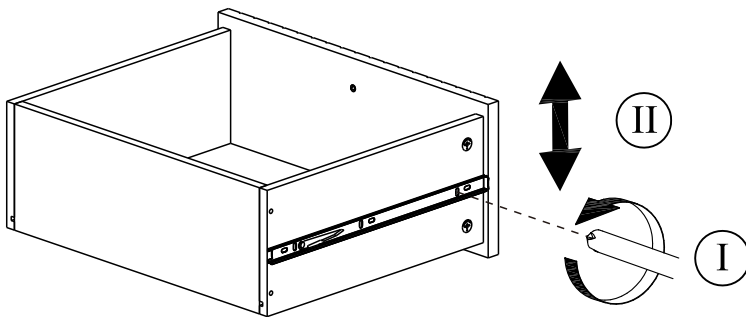
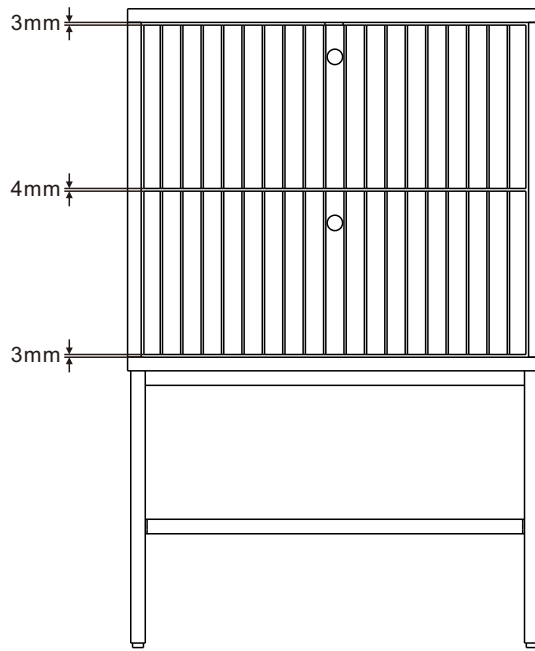
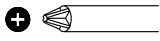
22



23



24



25

