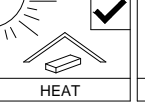




SOFT, DRY CLOTH



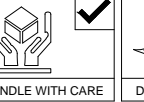
CHEMICAL



HEAT



KEEP DRY



HANDLE WITH CARE

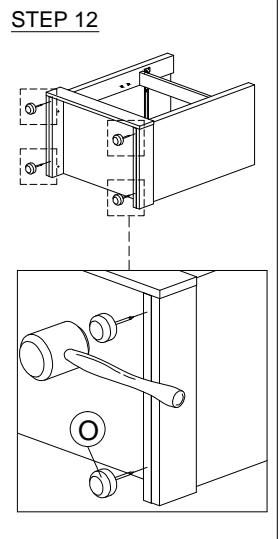
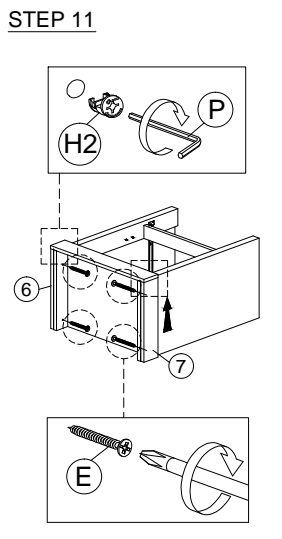
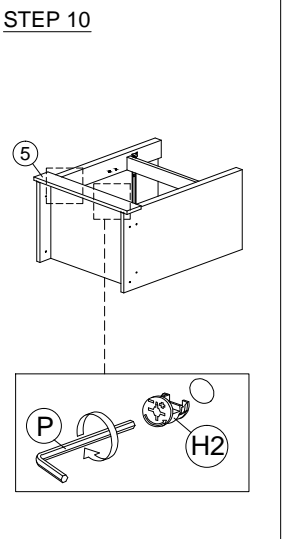
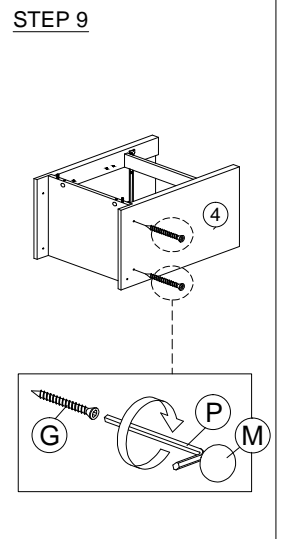
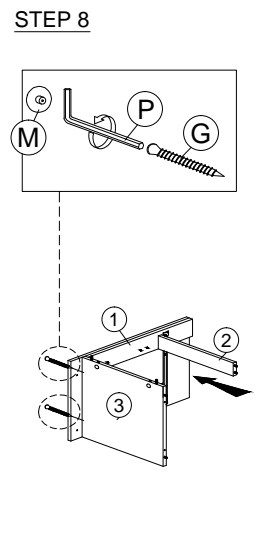
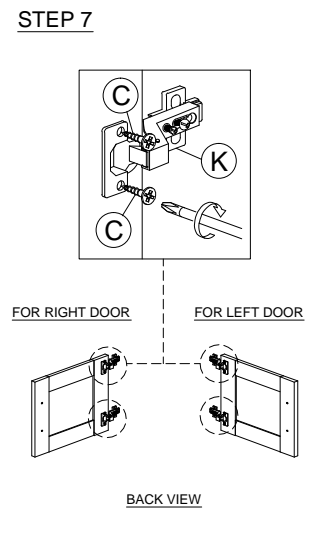
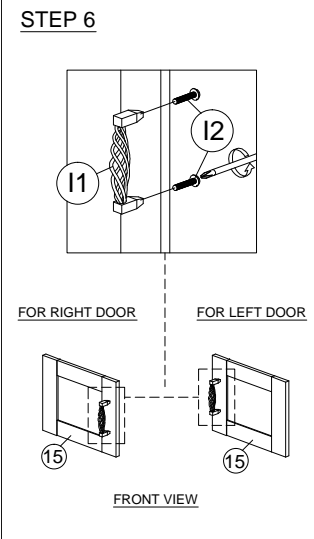
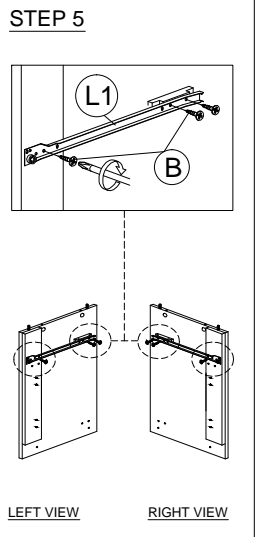
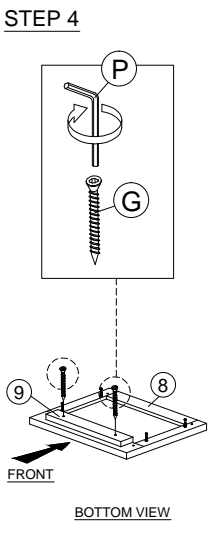
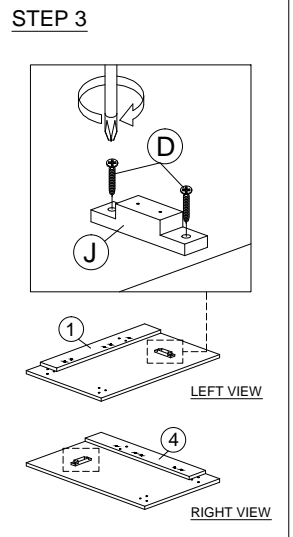
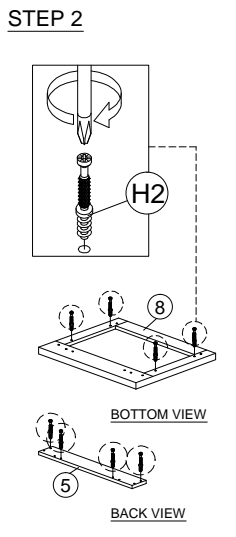
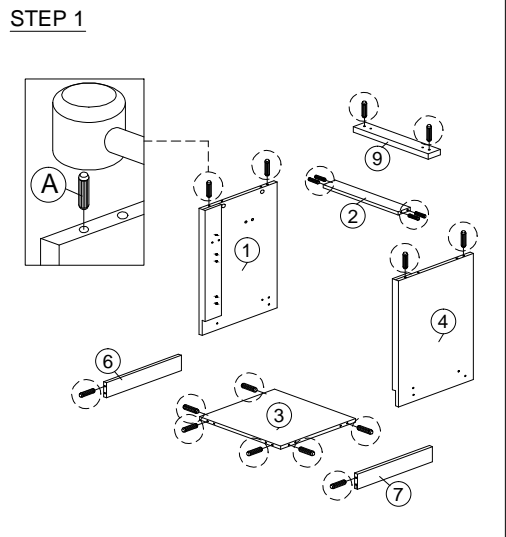
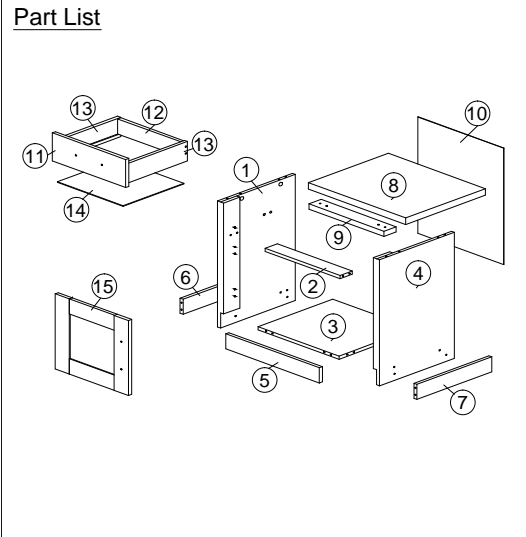


DO NOT USE KNIFE

# ASSEMBLY INSTRUCTION

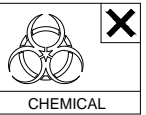
MODEL : BST 5030-S5V - ELLA NACHTTAFEL / TABLE DE NUIT / NIGHT TABLE

HARDWARE	A	B	C	D	E	F	G	H	I	J	K	L	M	N	O	P		
	PLASTIC DOWEL M8X25 1X18	CB SCREW M3.5X12 1X12	CB SCREW M3.5X16 1X8	CB SCREW M4X20 1X4	CB SCREW M4X25 1X6	CB SCREW M4X35 1X8	CSK CAP M6X40 1X6	MINIFIX 5654 8 SETS	HANDLE FZ 23187 (128MM) - METAL 1X2	HANDLE SCREW M4X24MM 1X2	HANDLE SCREW M4X40MM 1X2	ABS DRAWER PIN (15MM) 1X2	HINGES (INSIDE) 1/4" 1X2	DRAWER SLIDE 12" 1 SET	CAP 1X8	POWER NAIL 6/8 1X50	PLASTIC PIN 1X4	ALLEN KEY 1X1

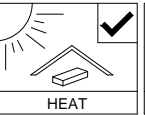




SOFT, DRY CLOTH



CHEMICAL



HEAT



KEEP DRY



HANDLE WITH CARE

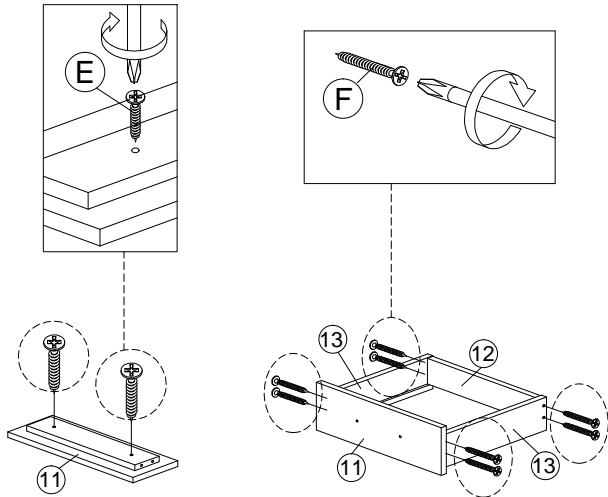


DO NOT USE KNIFE

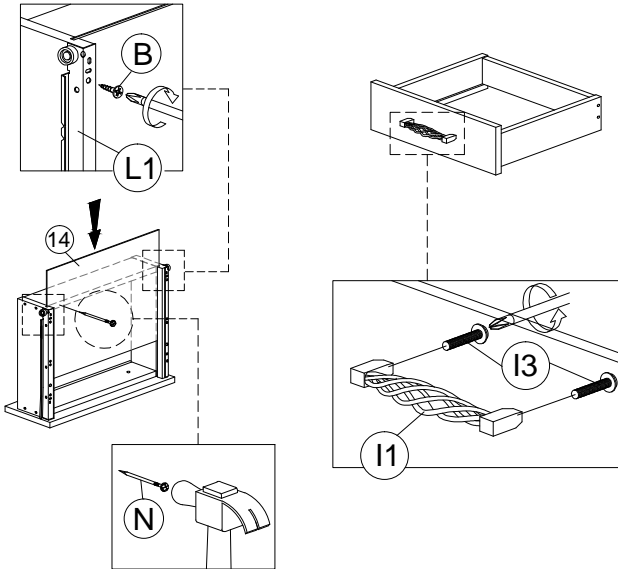
# ASSEMBLY INSTRUCTION

MODEL : BST 5030-S5V - ELLA NACHTTAFEL / TABLE DE NUIT / NIGHT TABLE

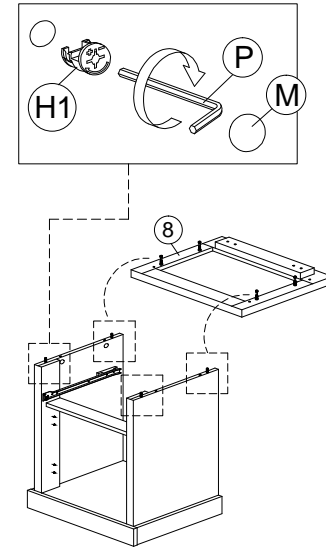
## STEP 13



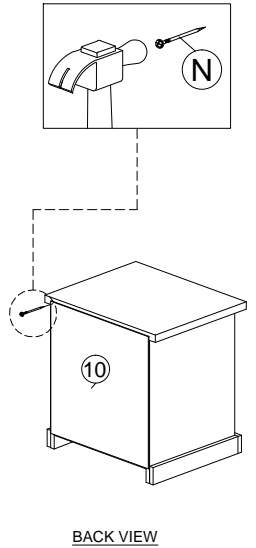
## STEP 14



## STEP 15

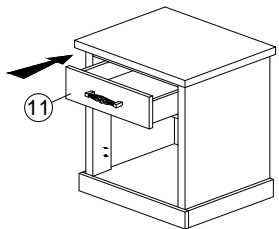


## STEP 16

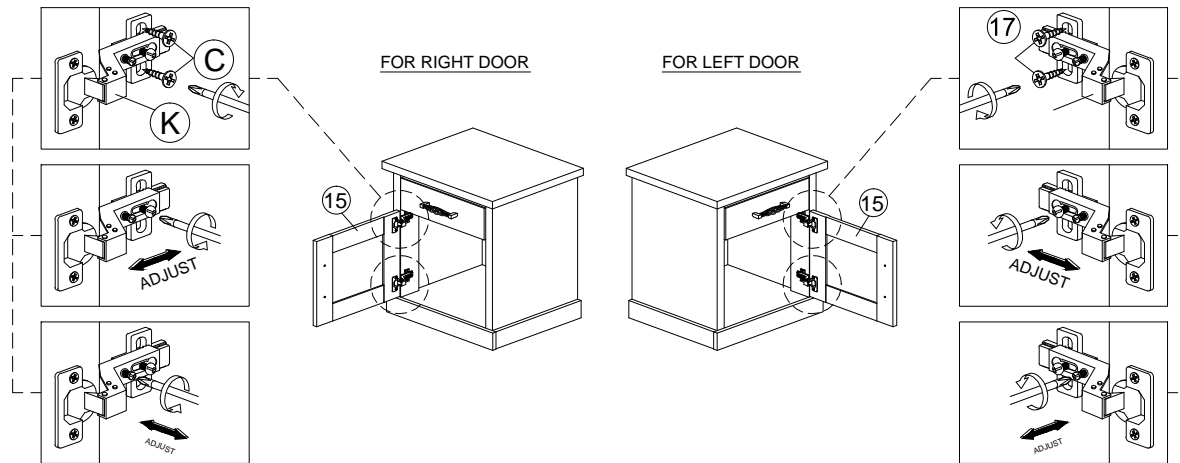


BACK VIEW

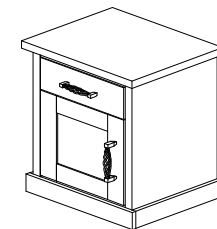
## STEP 17



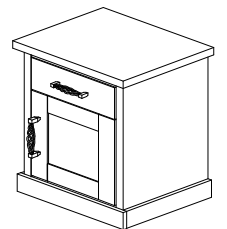
## STEP 18



## COMPLETED



BEDSIDE TABLE RIGHT



BEDSIDE TABLE LEFT