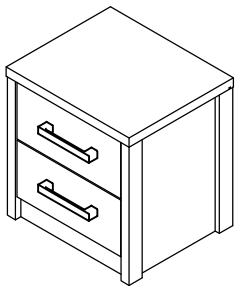
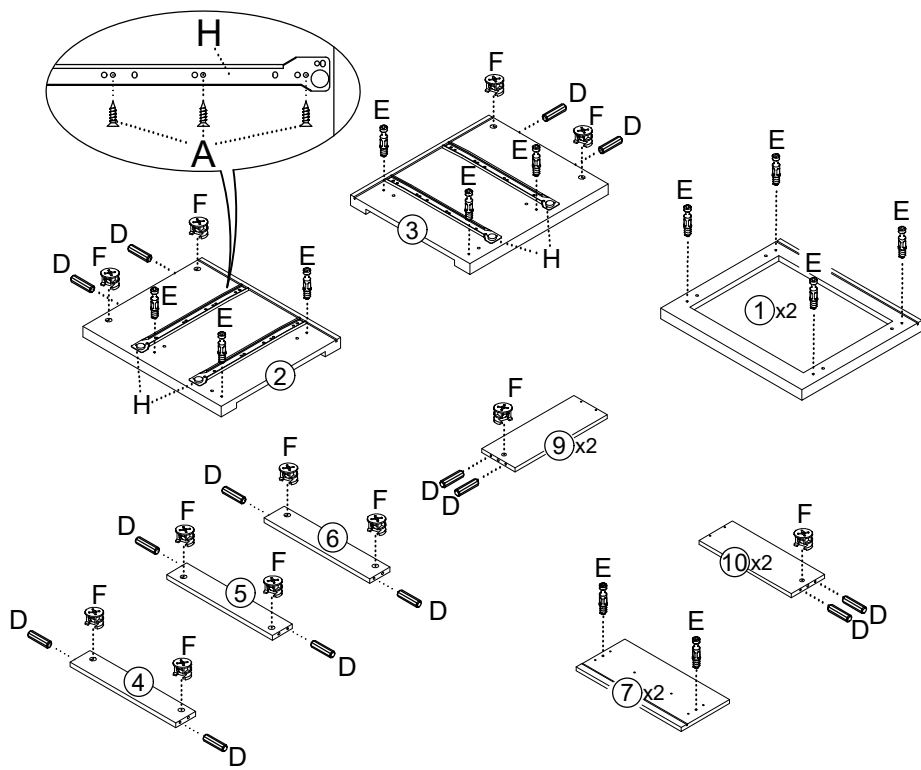


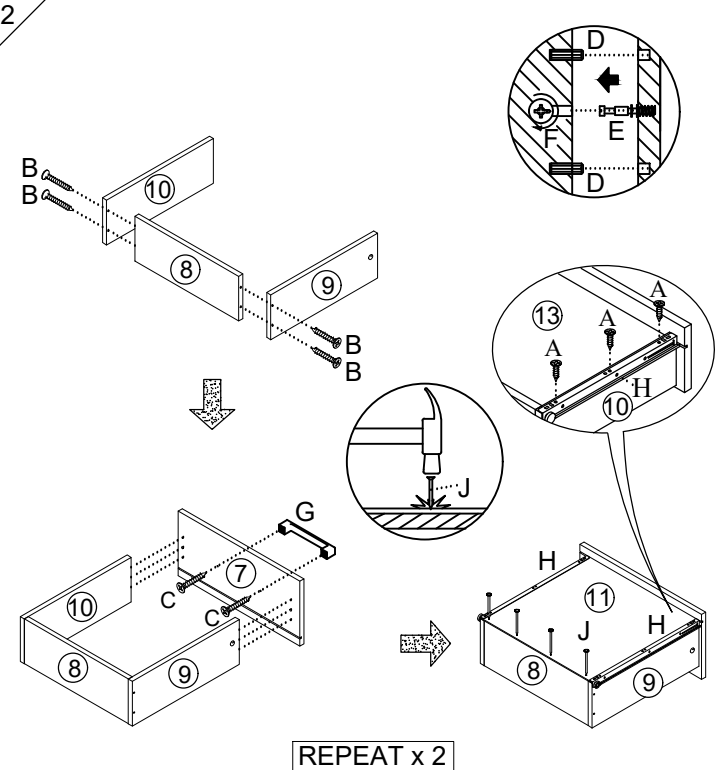
Model	DN SIT 102 290 - 1	Issue Date	19 - 6 - 2023	Draw By	QIAN	Approved By / Date	
Form No	P13-RD-05-Rev01	Revision	SIT 1.0	Checked By	YN NG	Sheet	01 / 01
Description	Assembly Instructions						



1

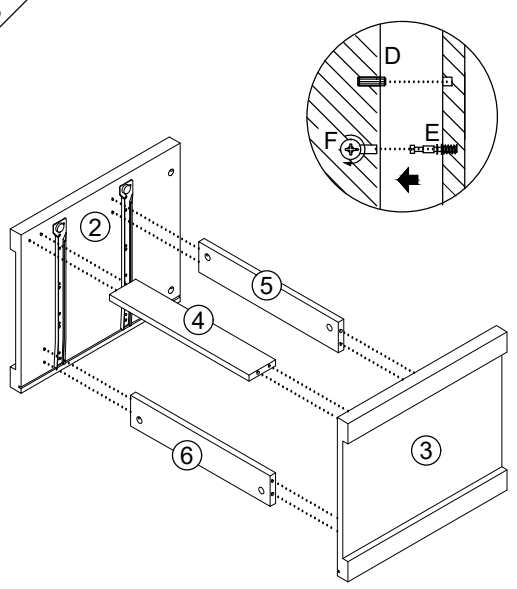


2

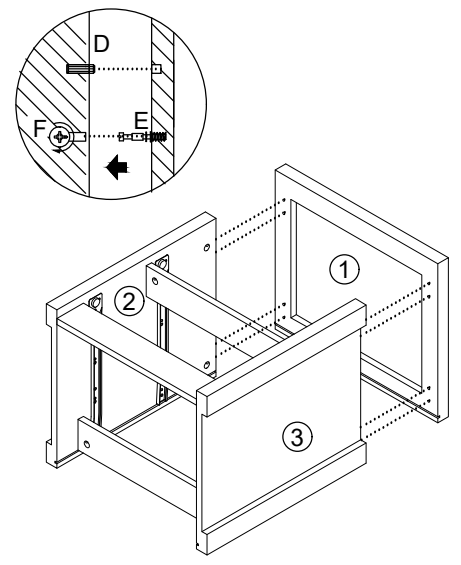


REPEAT x 2

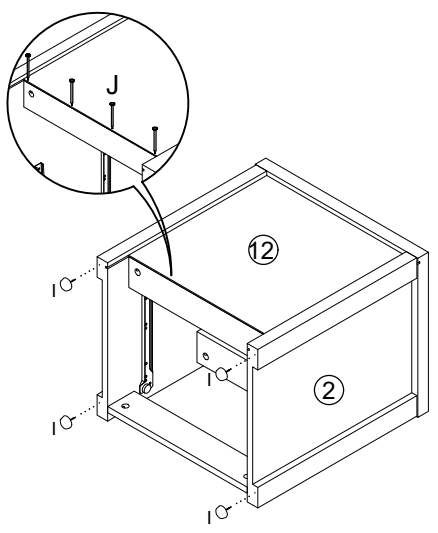
3



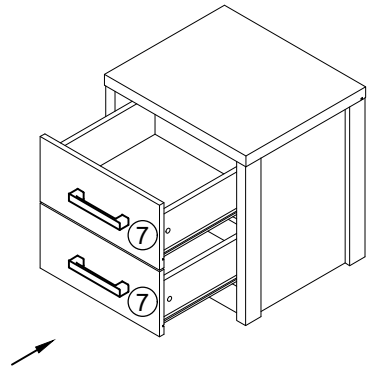
4



5



6



A		M3.5 x 12mm CSK SCREW	24
B		M4 x 38mm CSK SCREW	8
C		M4 x 30mm CSK SCREW	4
D		WOOD DOWEL 6 x 25mm	18
E		CAM BOLT	14
F		CAM NUT 15MM	14
G		HANDLE AC 104	2
H		METAL RUNNER 14"	2
I		Pvc Nail 5/8"	4
J		Nail	15