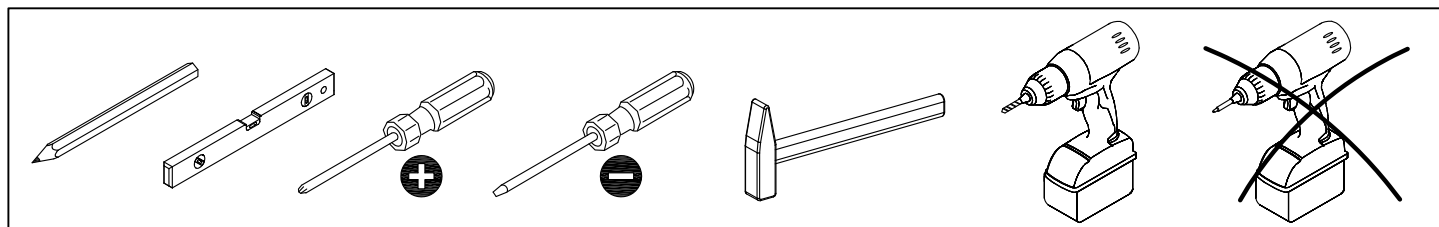
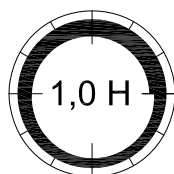
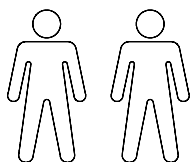
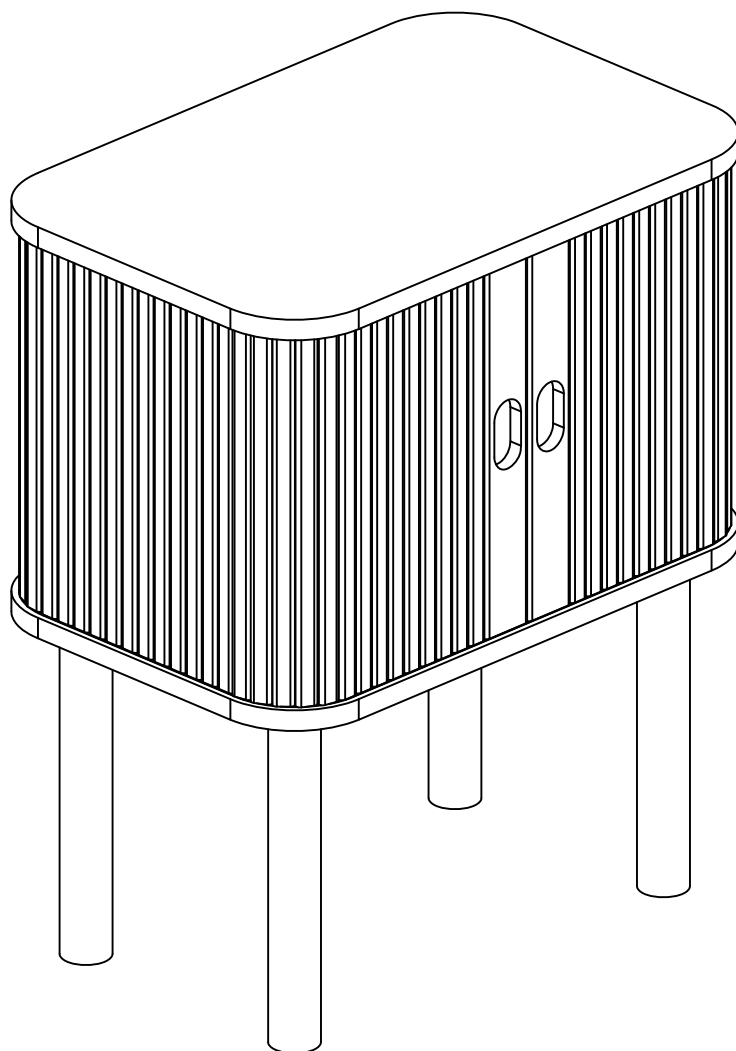
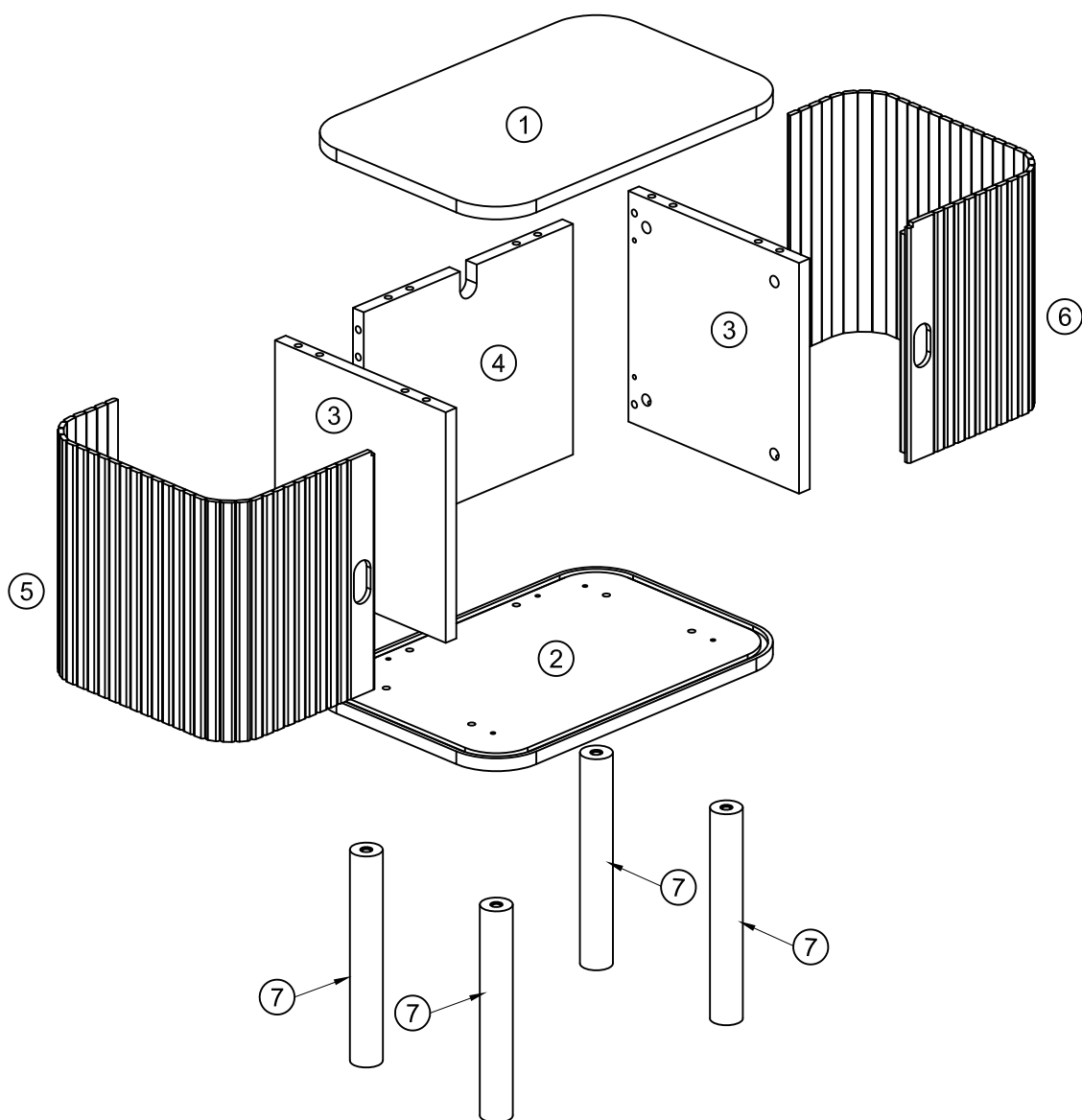

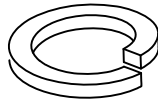

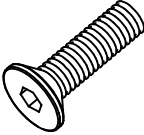
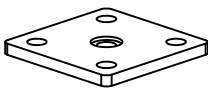
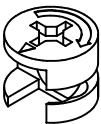
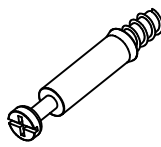
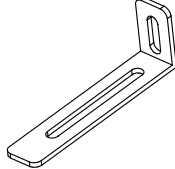
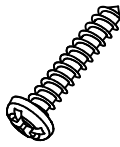
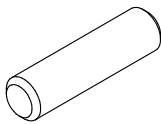
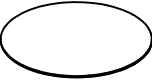


# LANGLEY






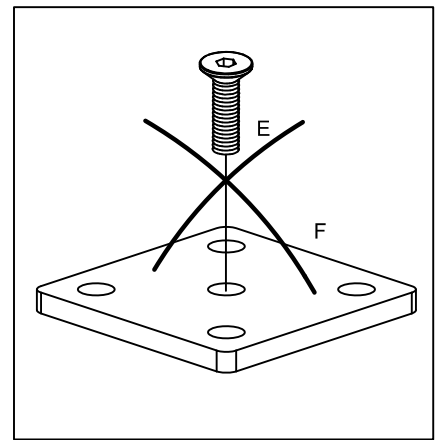
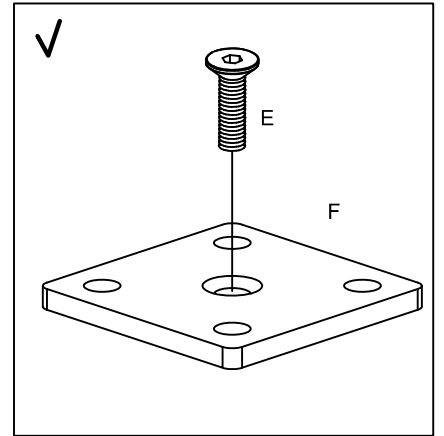
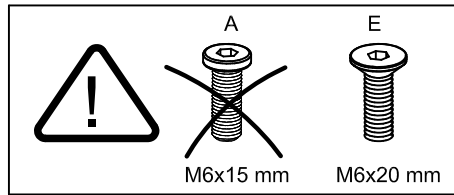
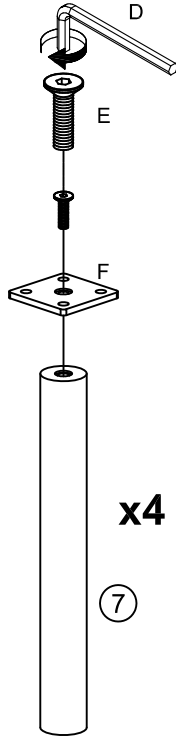
			✓
①	1	450x300x15	
②	1	450x300x15	
③	2	270x256x16	
④	1	270x314x16	
⑤	1	505x280x15	
⑥	1	505x280x15	
⑦	4	247xØ35	




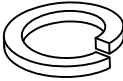

<p>A x 16</p>  <p>M6x15 mm</p>	<p>B x 16</p>  <p>Ø6 mm</p>	<p>D x 1</p>  <p>4 mm</p>	<p>E x 4</p>  <p>M6x20 mm</p>	<p>F x 4</p>  <p>60x60x3 mm</p>
<p>G x 16</p>  <p>Ø15x12 mm</p>	<p>H x 16</p>  <p>Ø6x43 mm</p>	<p>J x 1</p>  <p>75x15x25 mm</p>	<p>K x 2</p>  <p>Ø3.5x16 mm</p>	<p>L x 16</p>  <p>Ø8x30 mm</p>
<p>M x 8</p>  <p>Ø20 mm</p>				

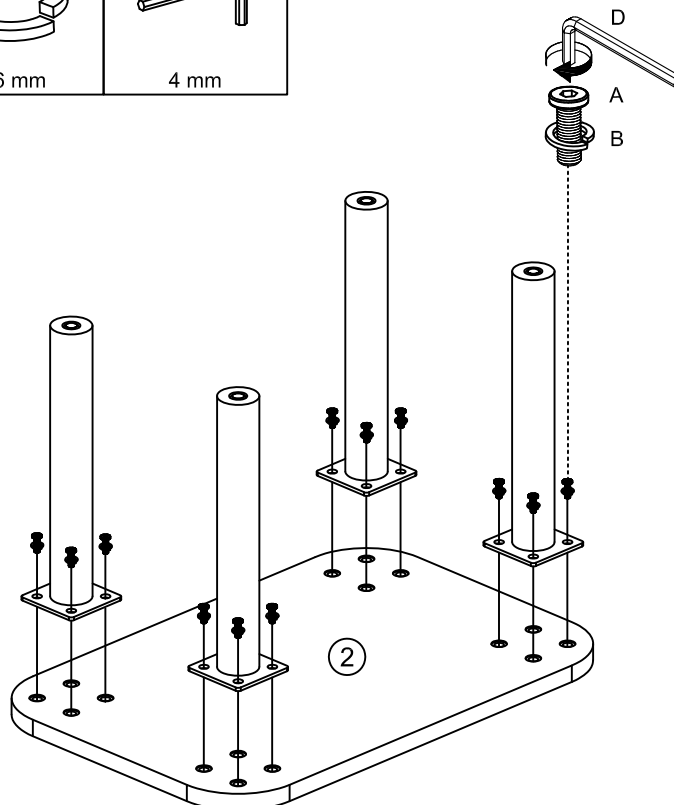
# 1

D x 1  4 mm	E x 4  M6x20 mm	F x 4  60x60x3 mm
--	--	--

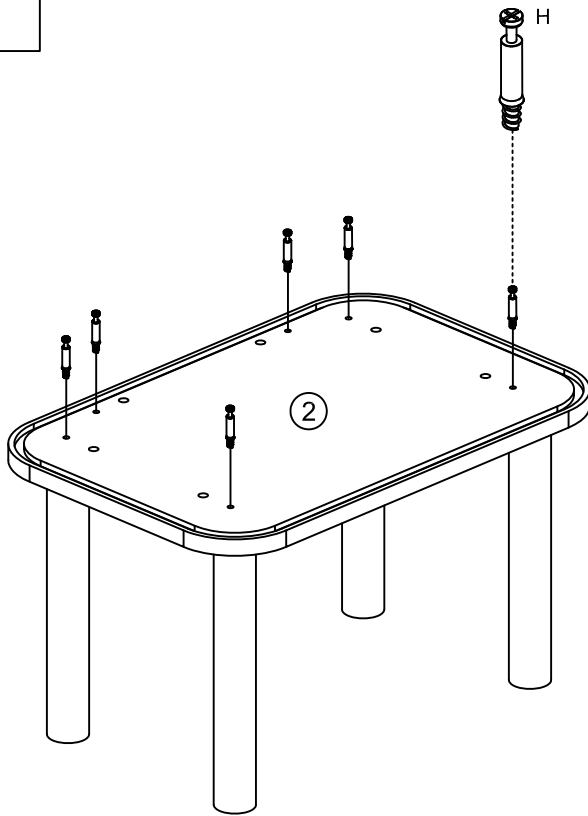
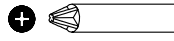
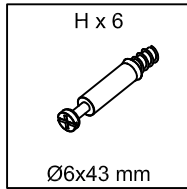


# 2

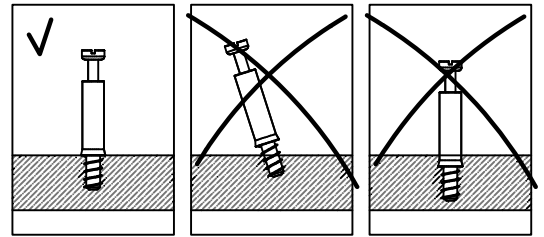
A x 16  M6x15 mm	B x 16  Ø6 mm	D x 1  4 mm
---	--	--



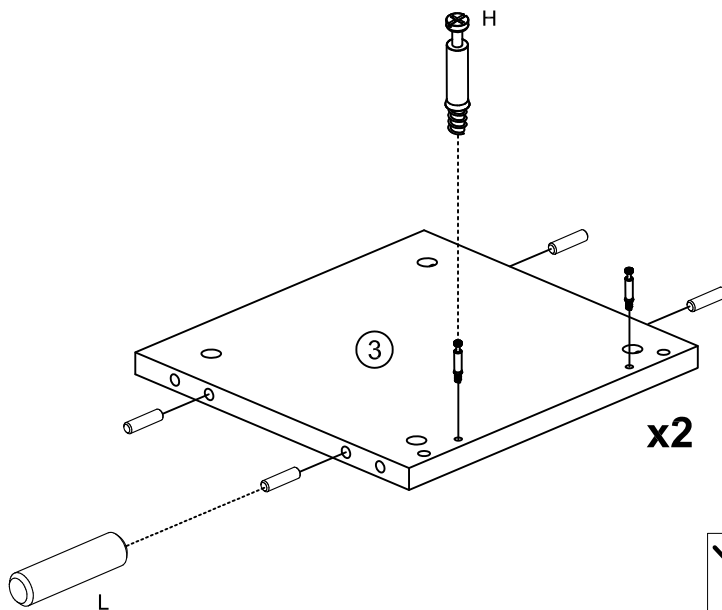
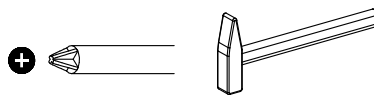
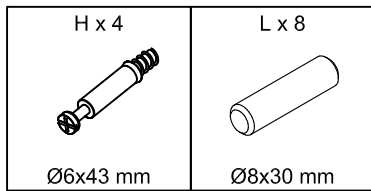
# 3



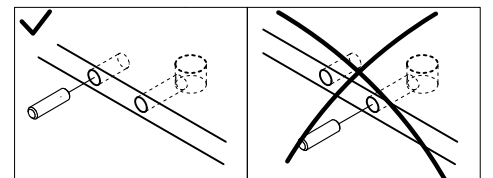
H



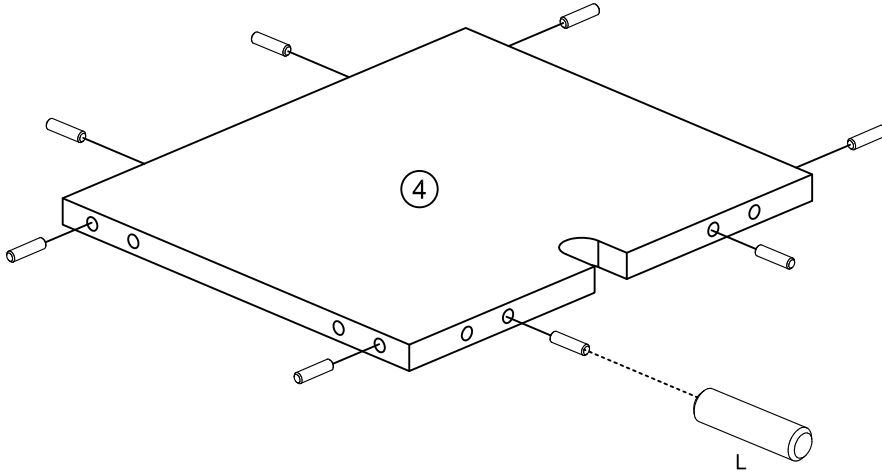
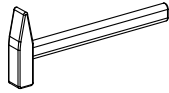
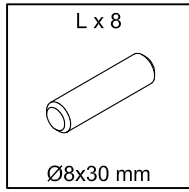
# 4



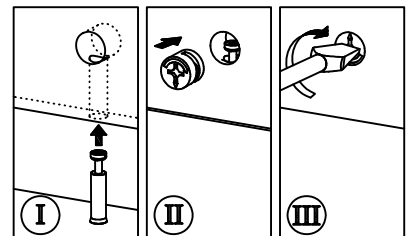
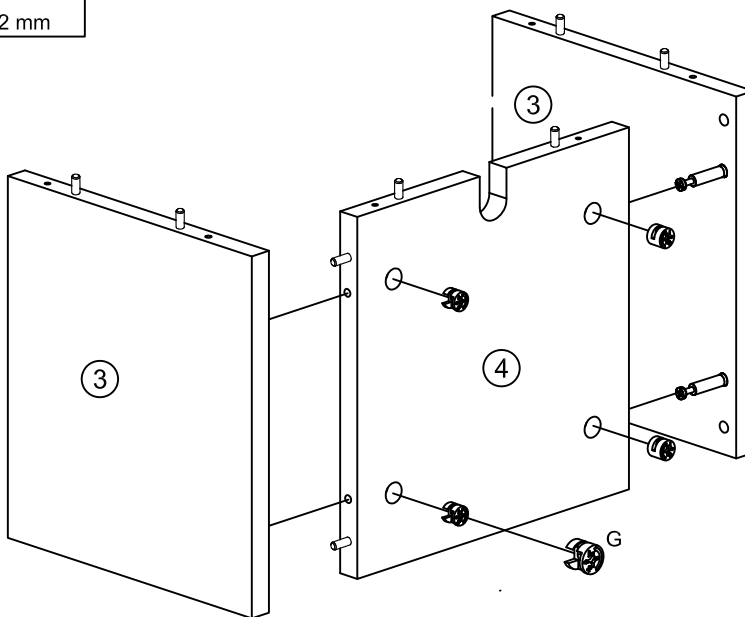
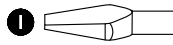
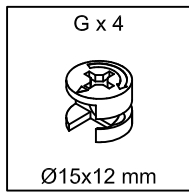
H



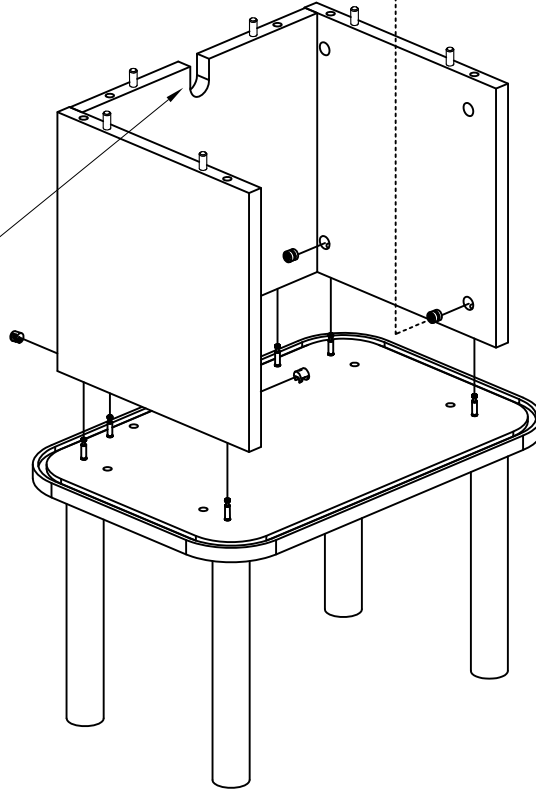
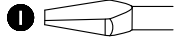
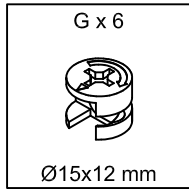
# 5



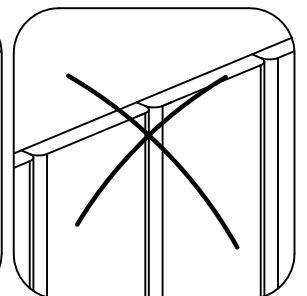
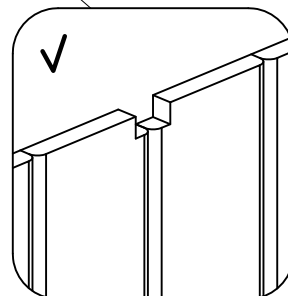
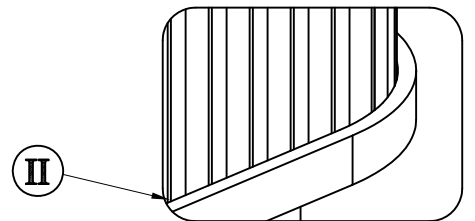
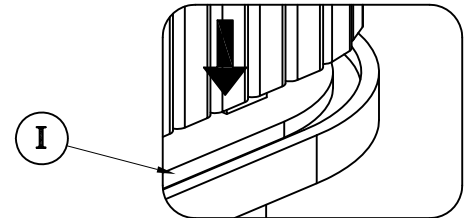
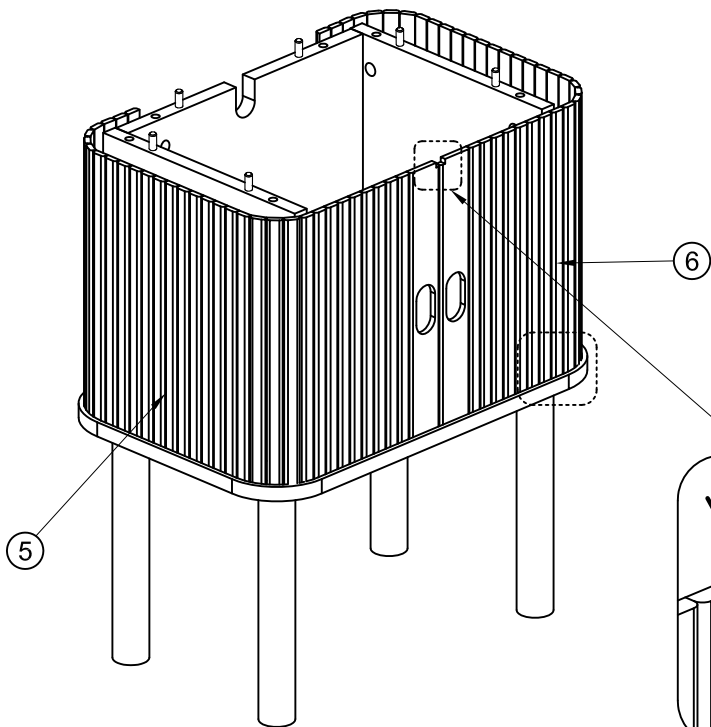
# 6



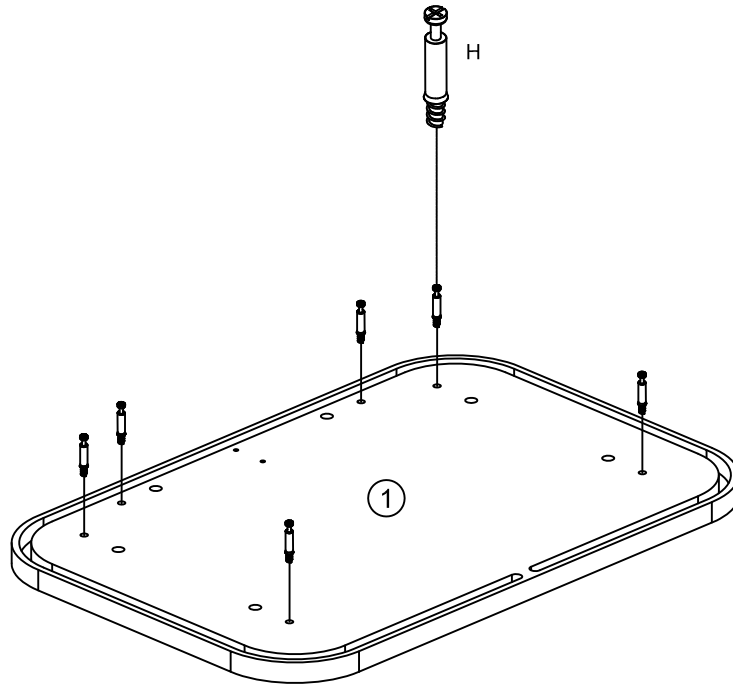
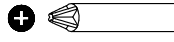
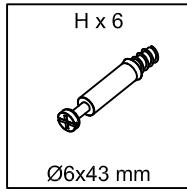
# 7



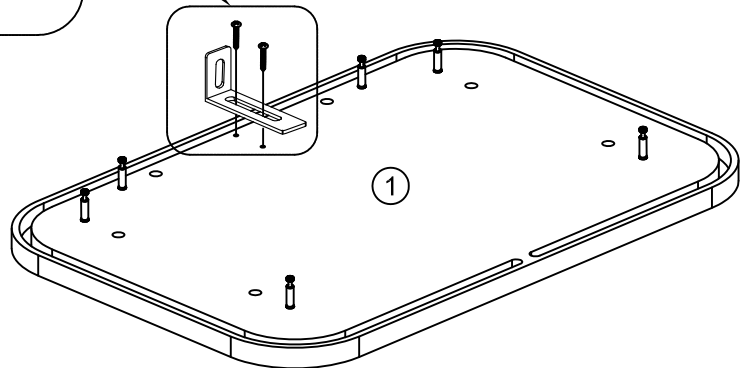
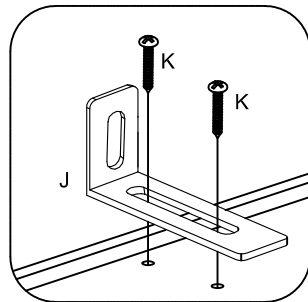
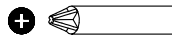
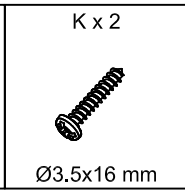
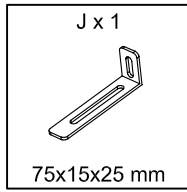
# 8



# 9

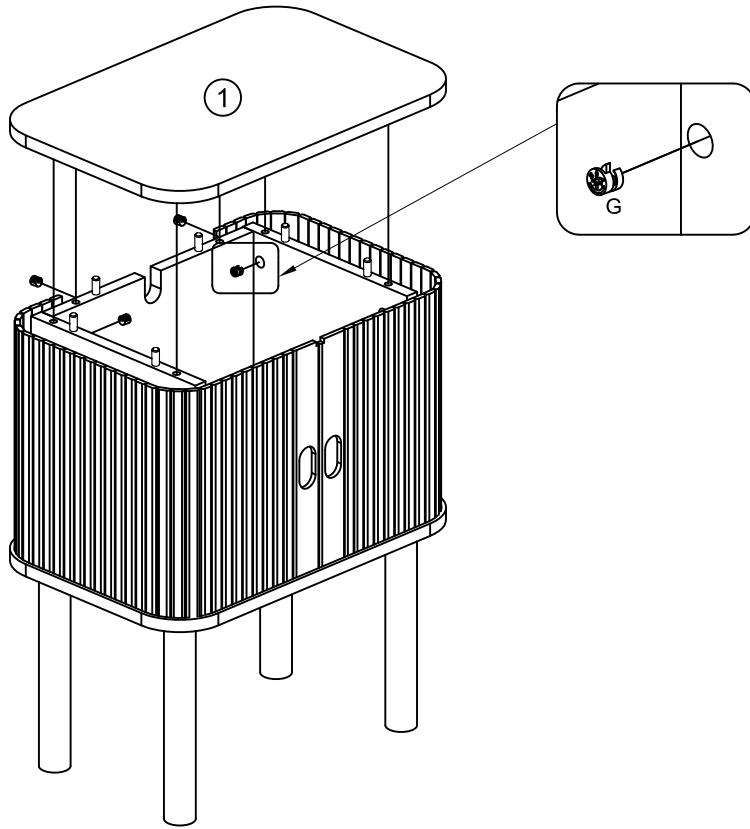
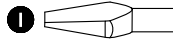
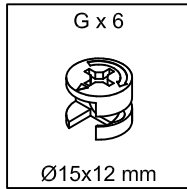


# 10

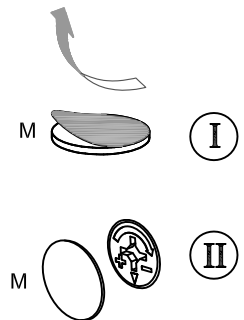
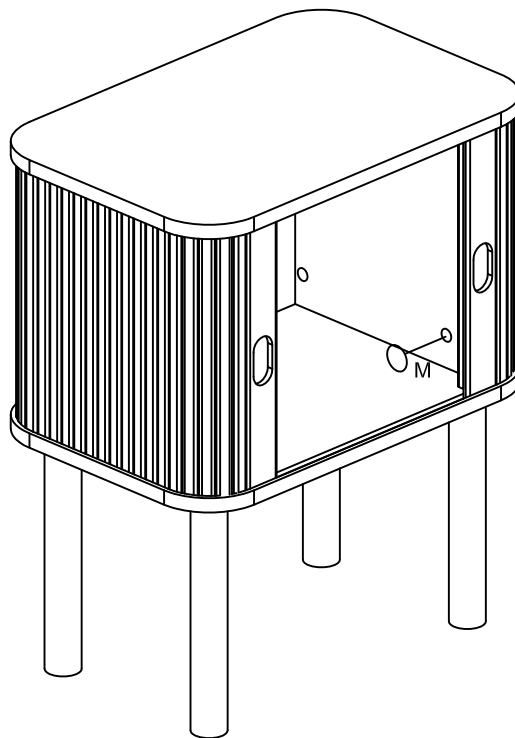
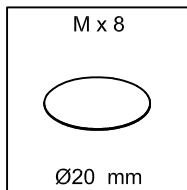




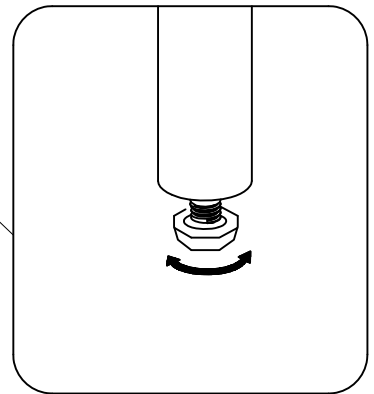
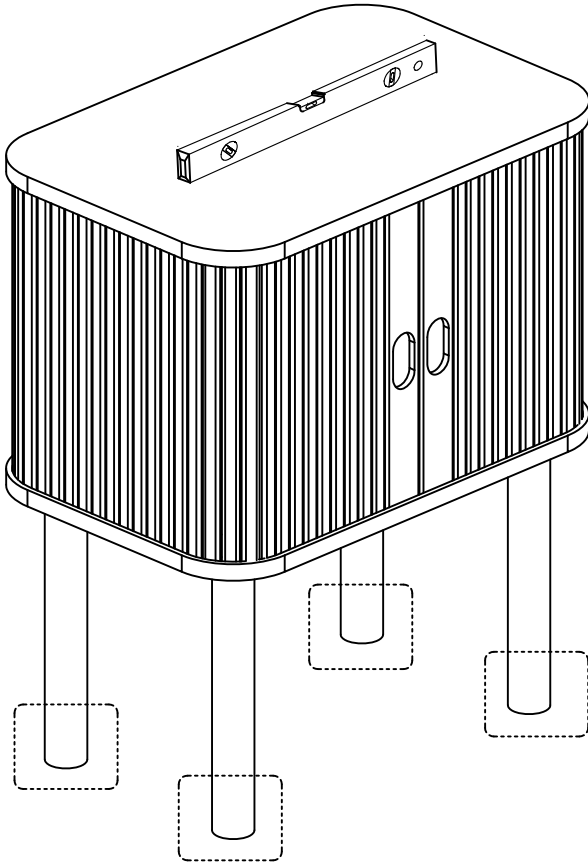
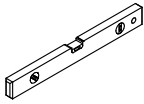
# 11



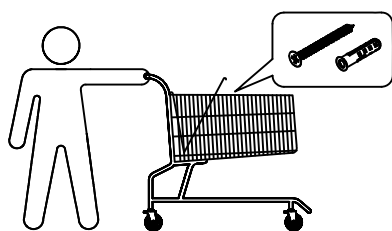
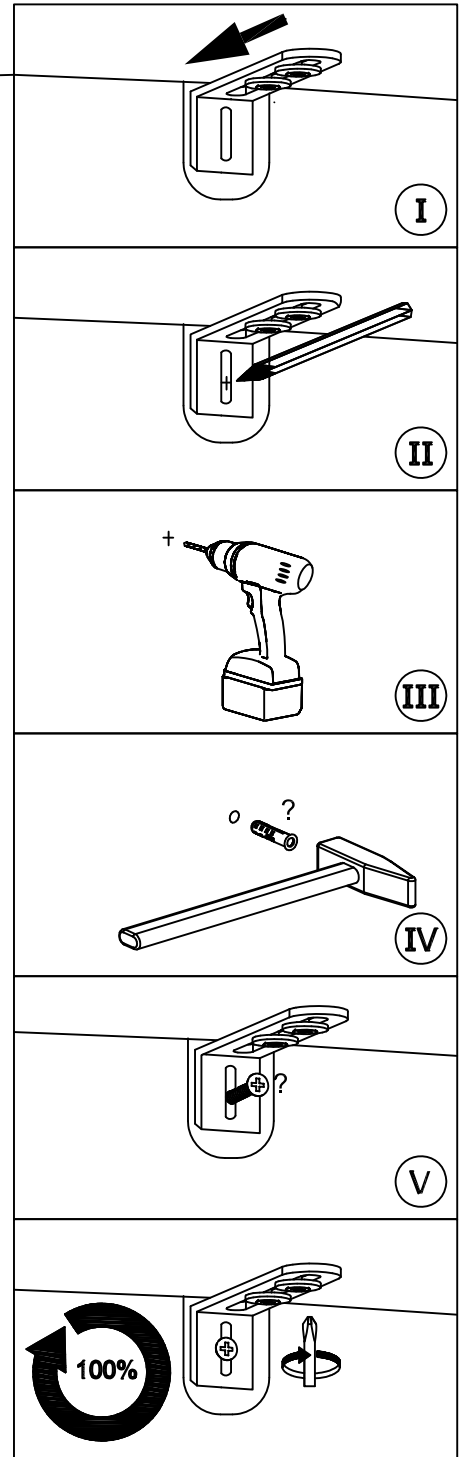
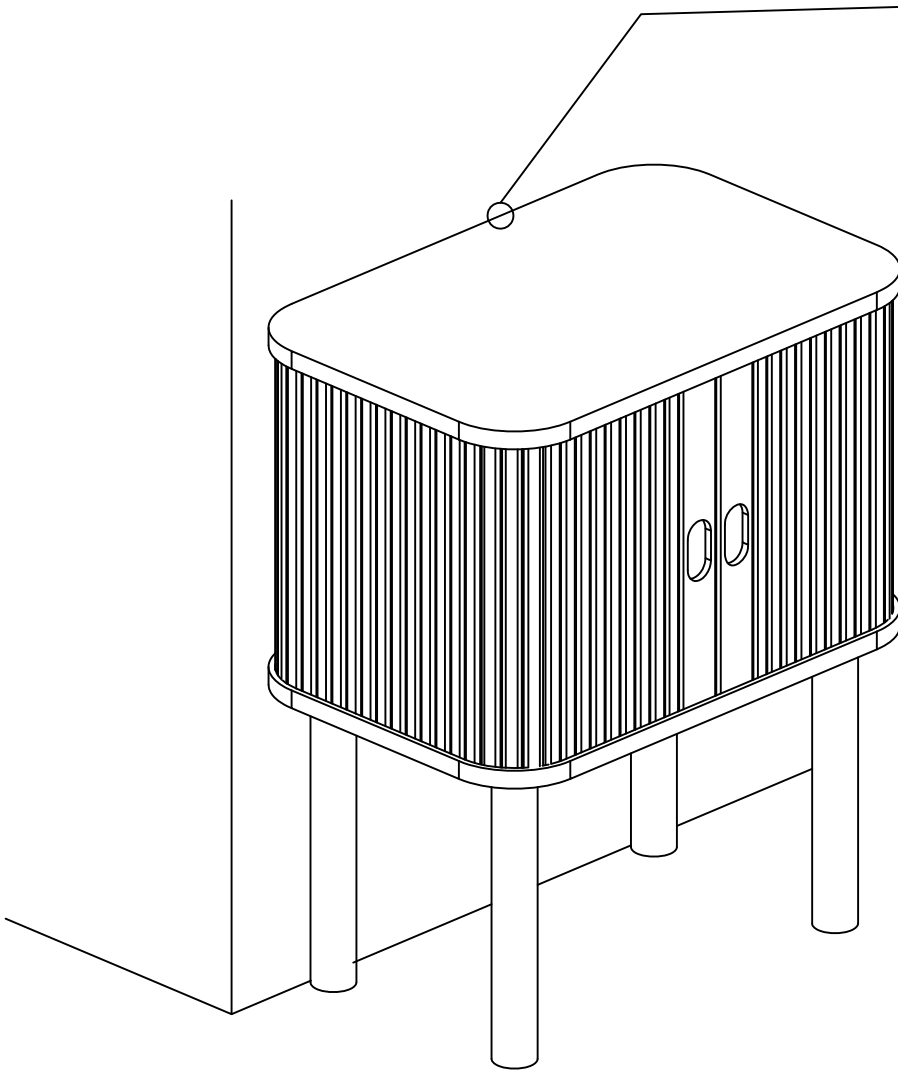
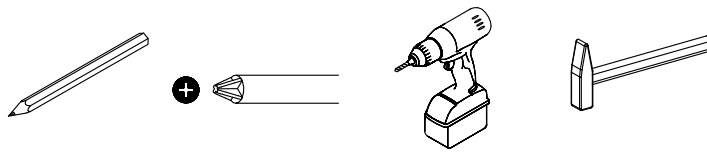
# 12



13



# 14



15

