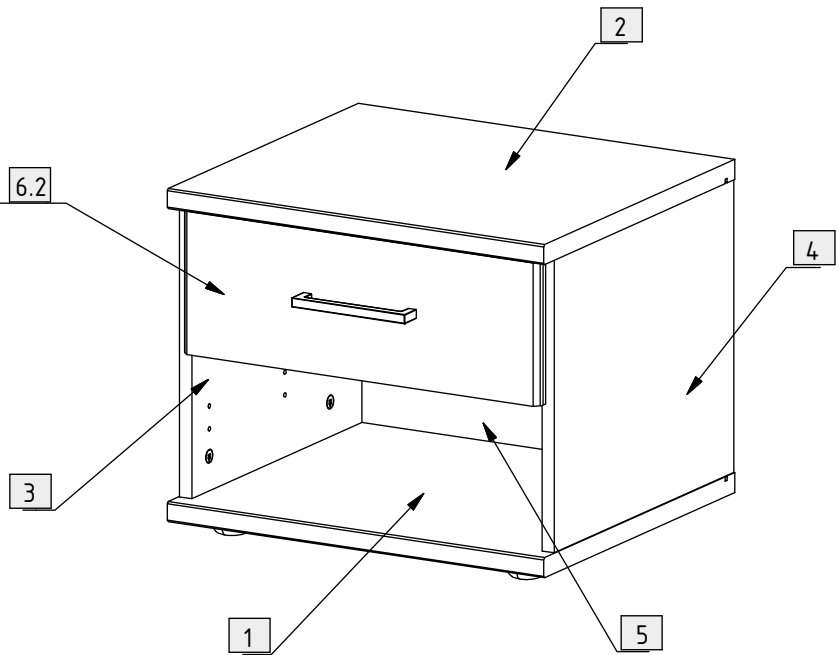
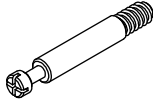



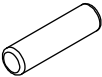

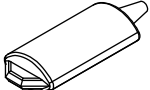
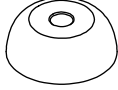
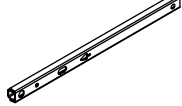
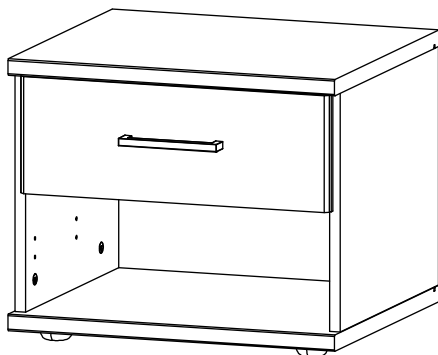


6 + 6.1 + 6.2

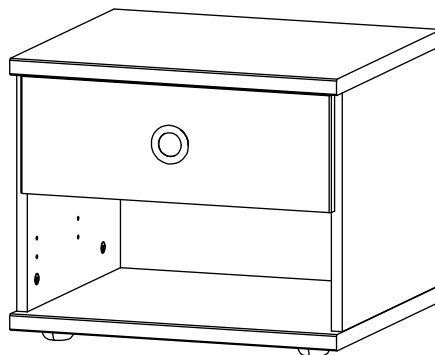


111	8		305	4		6 x 9 mm
120	8		352	4		4 x 20 mm
190	4		408	2		M4 x 9 mm
204	1		737	4		
215	2					

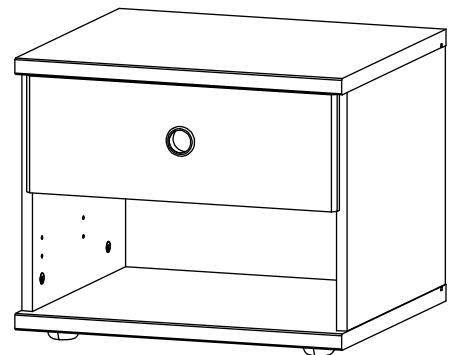
Variante A

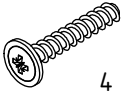
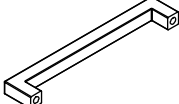


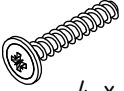

Variante B




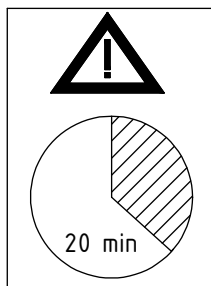
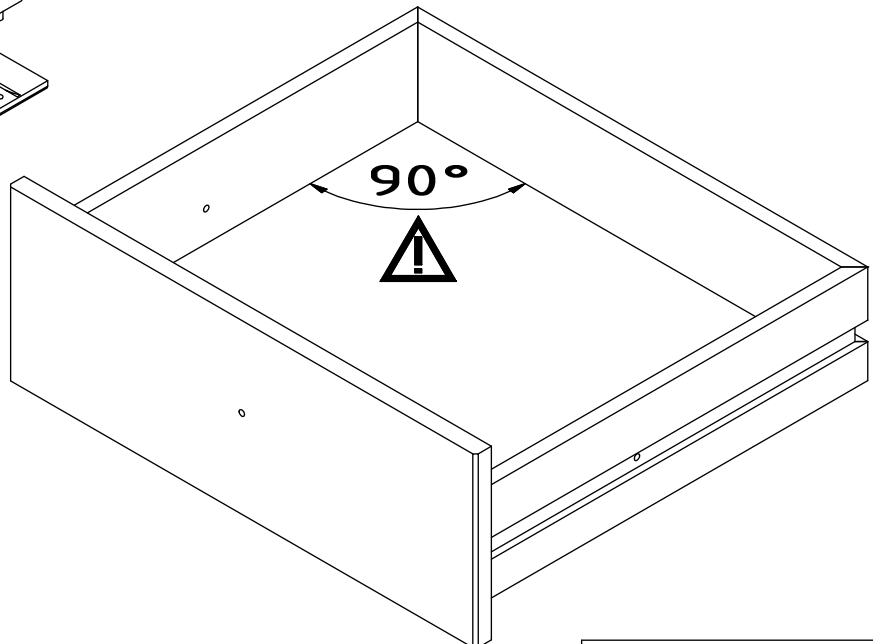
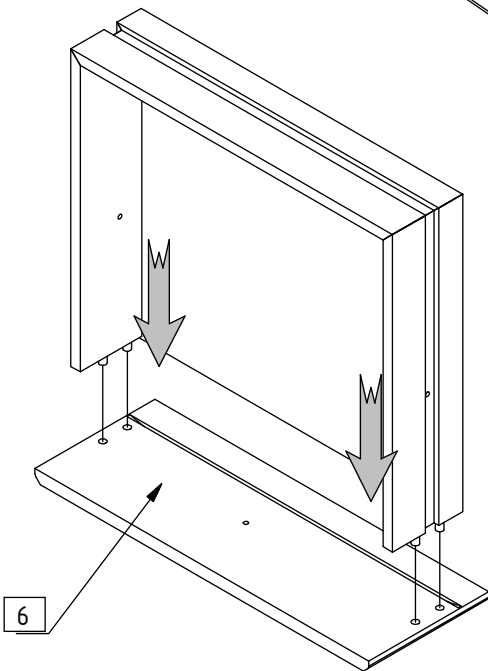
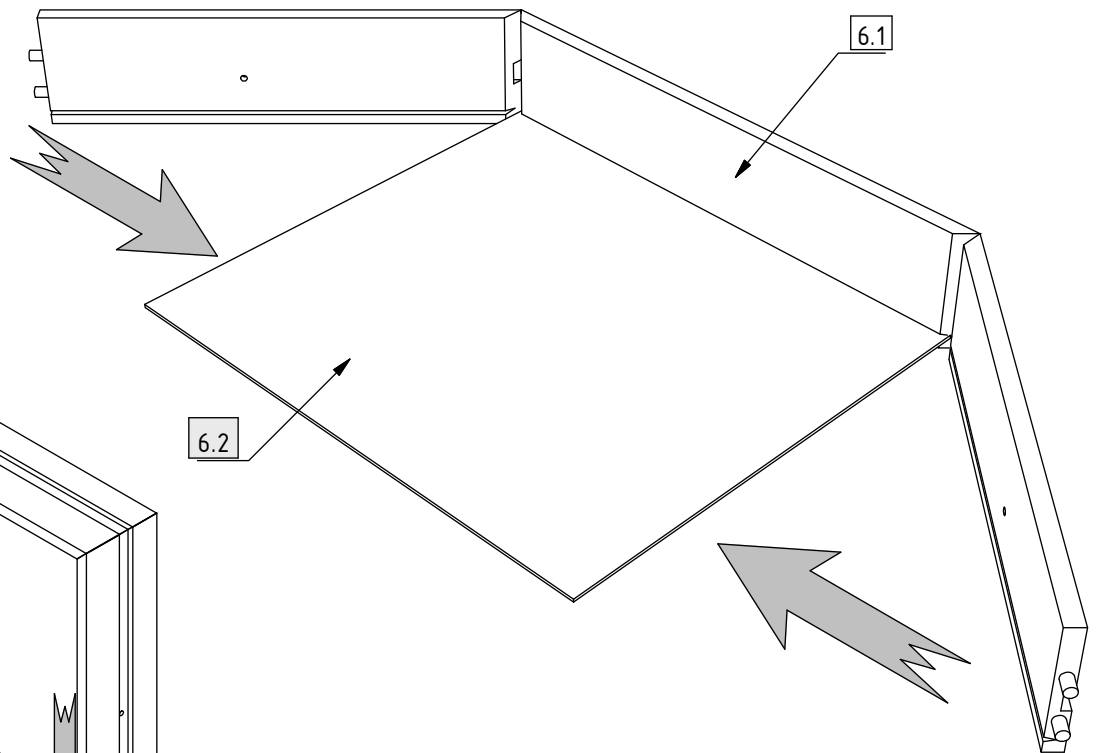
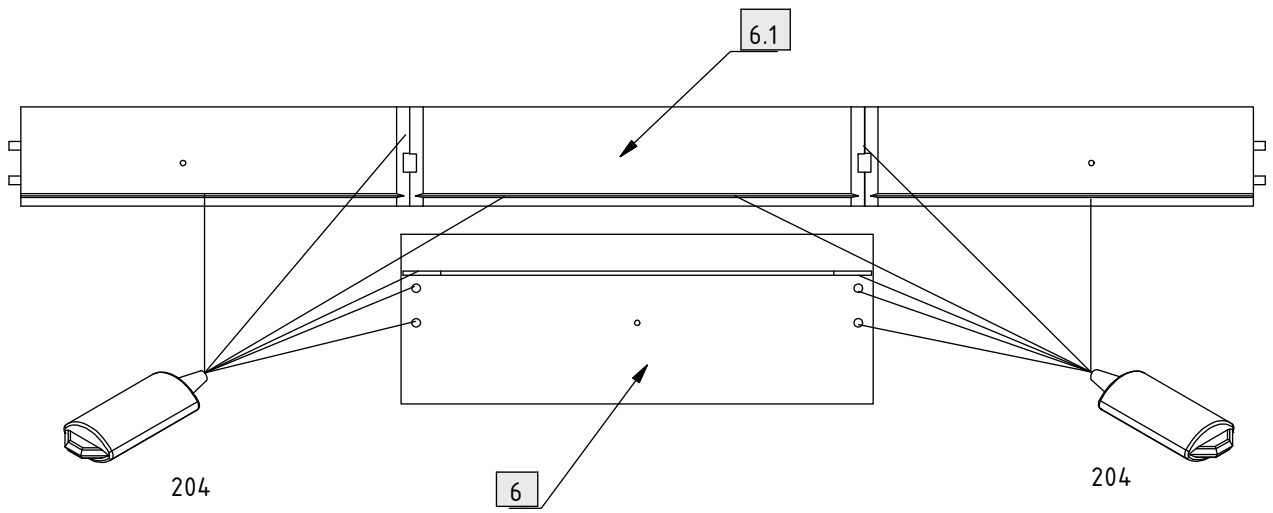
Variante C



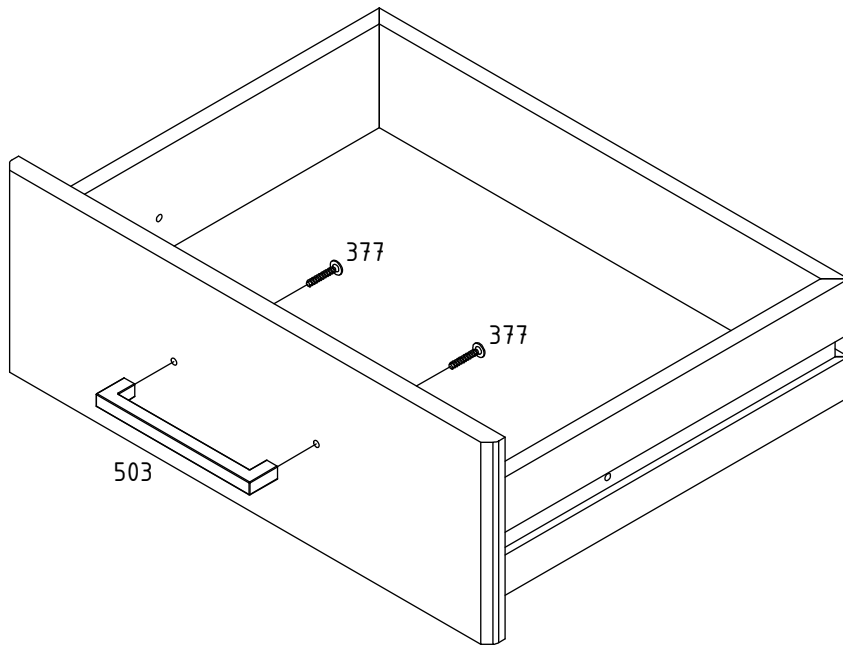
377	2		4 x 25 mm
503	1		

377	1		4 x 25 mm
509	1		

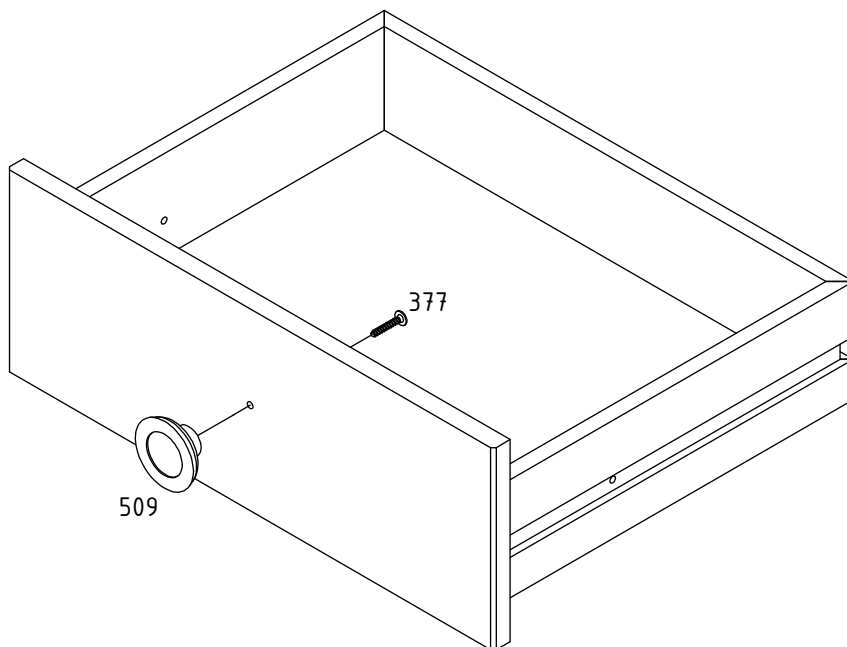
511	1		
-----	---	---	--



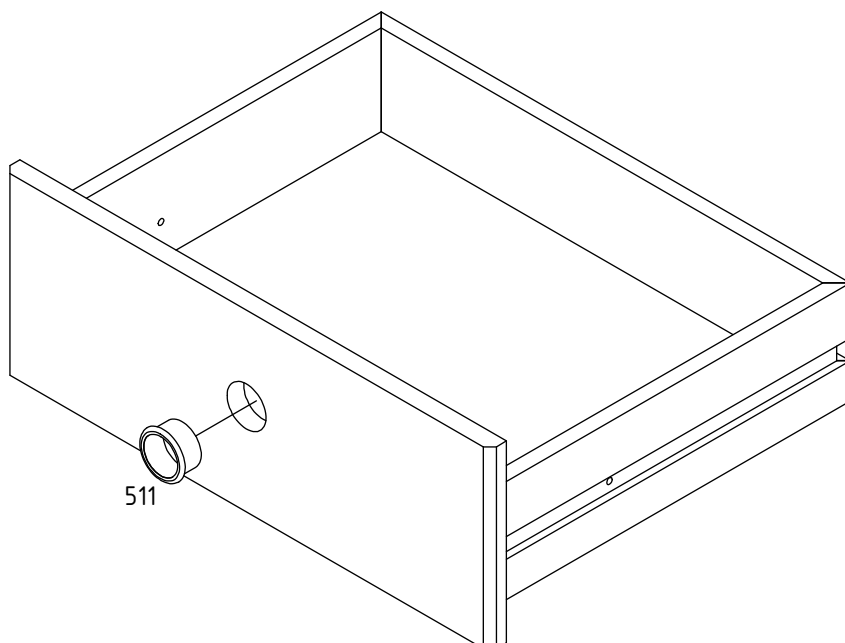
Variante A

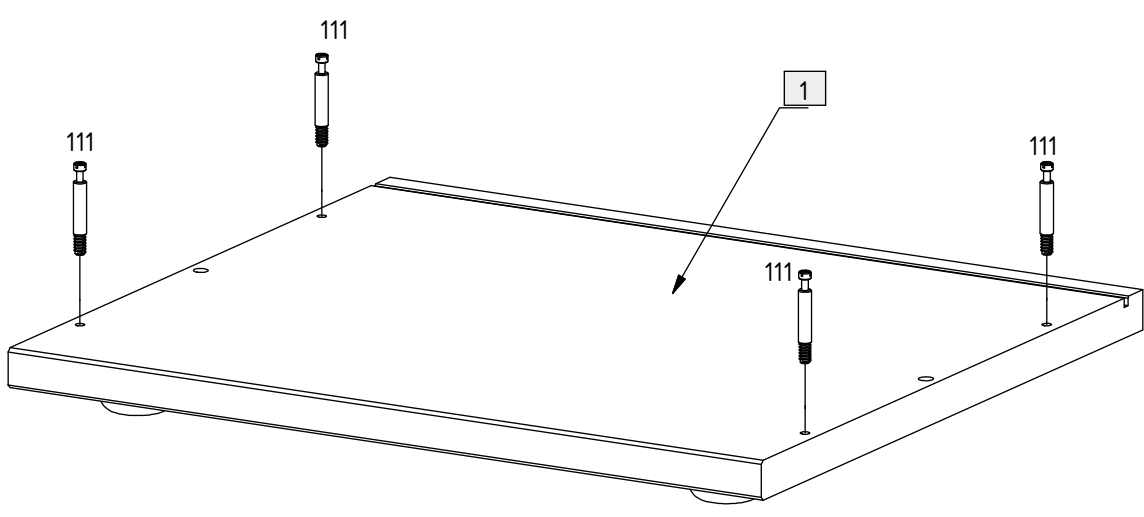
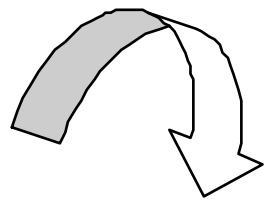
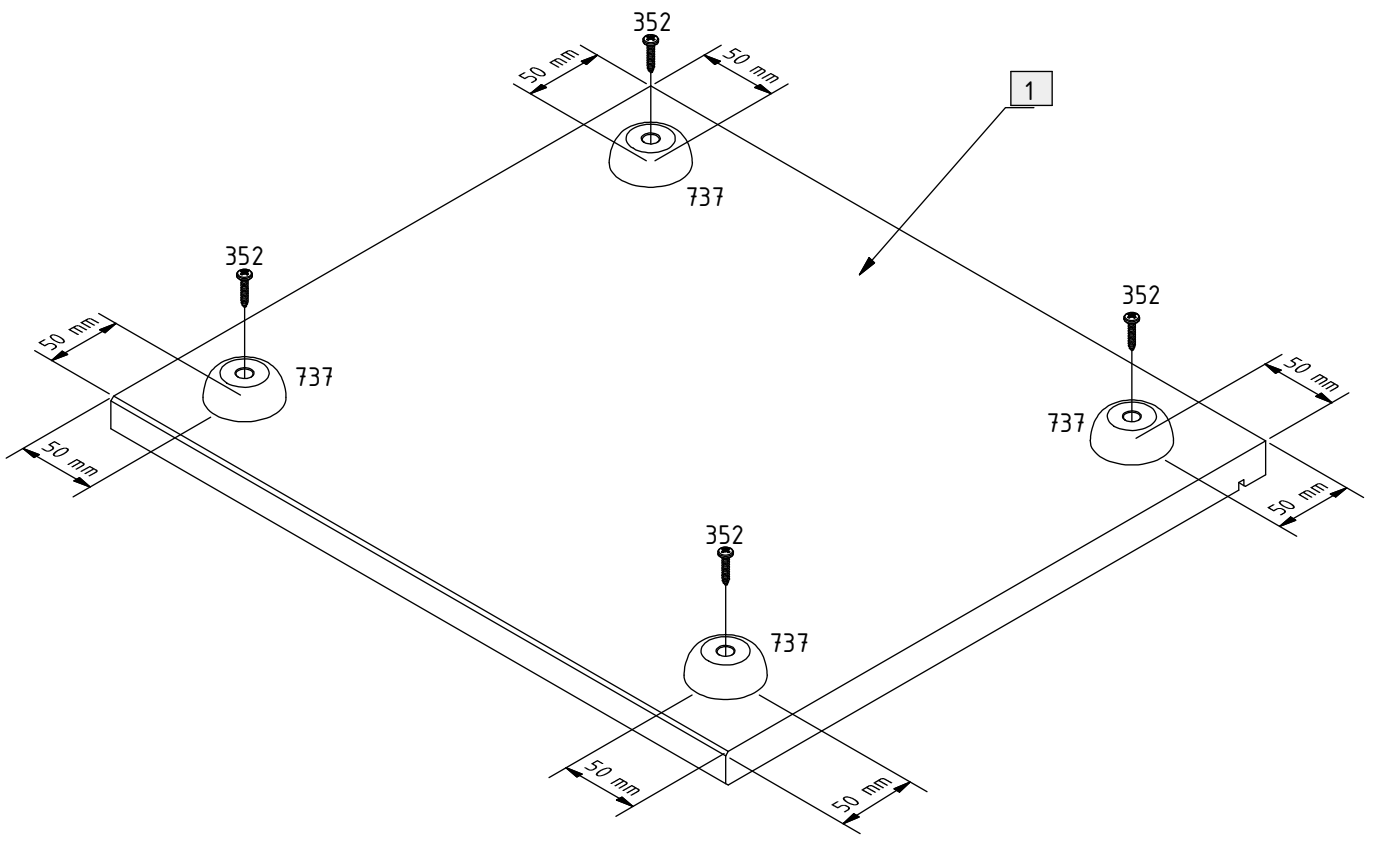


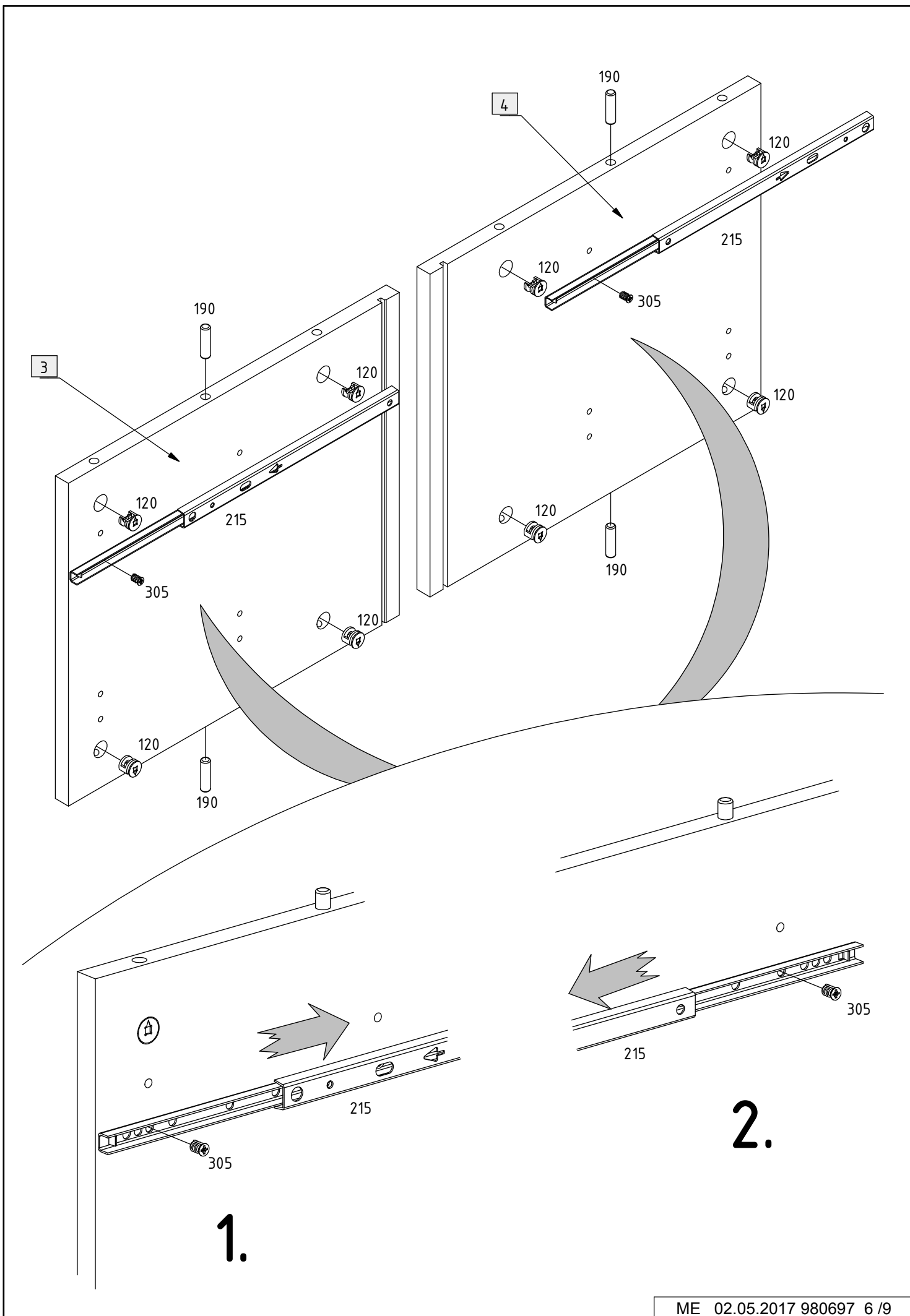
Variante B



Variante C

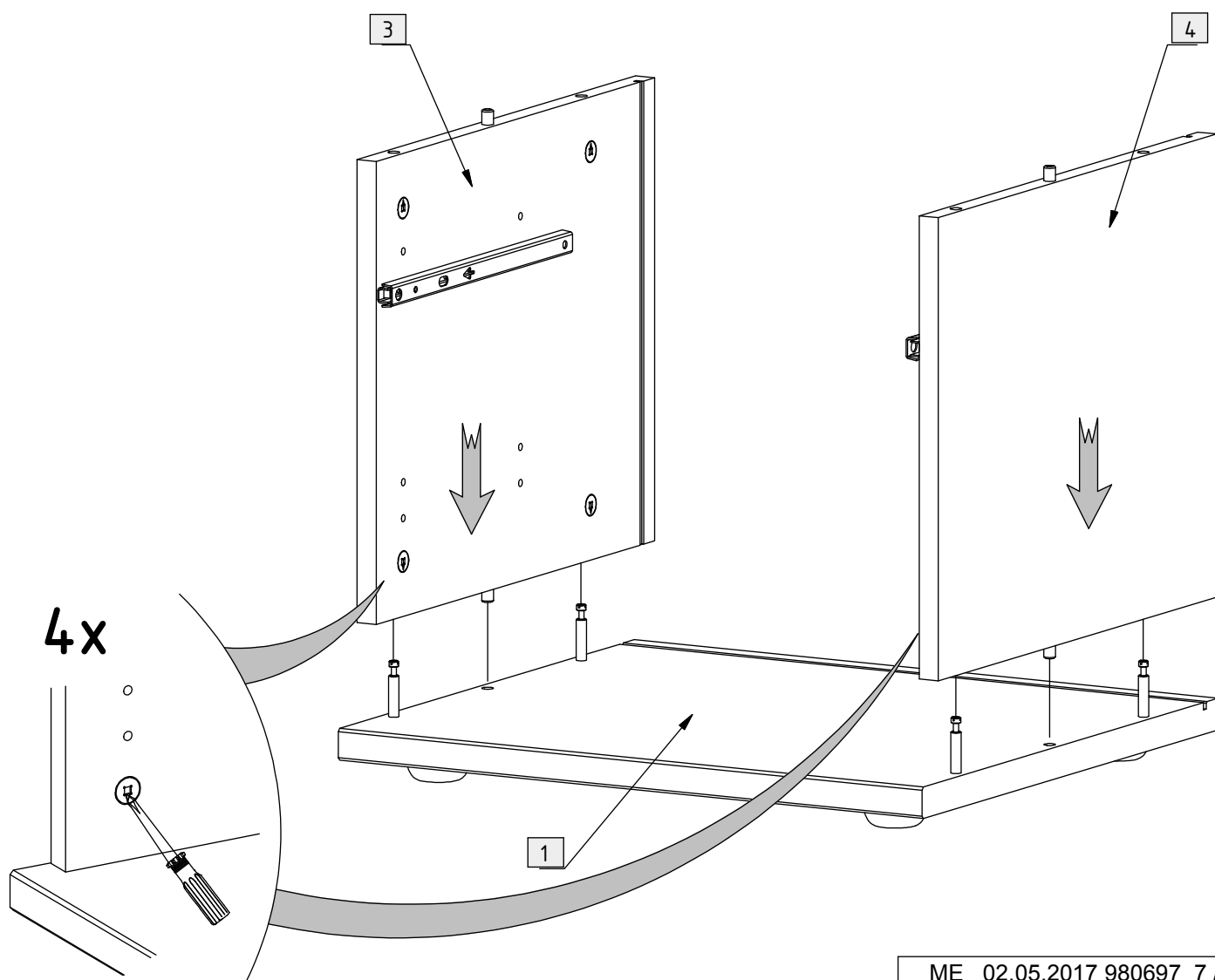
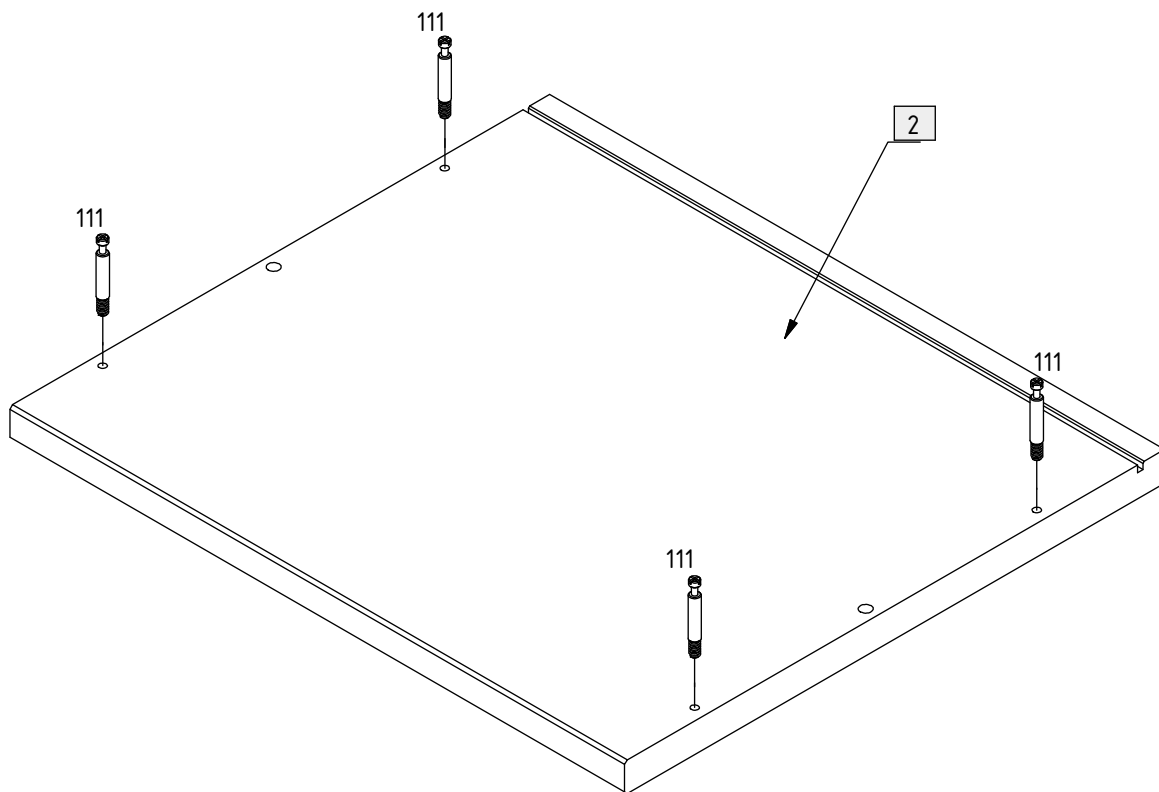


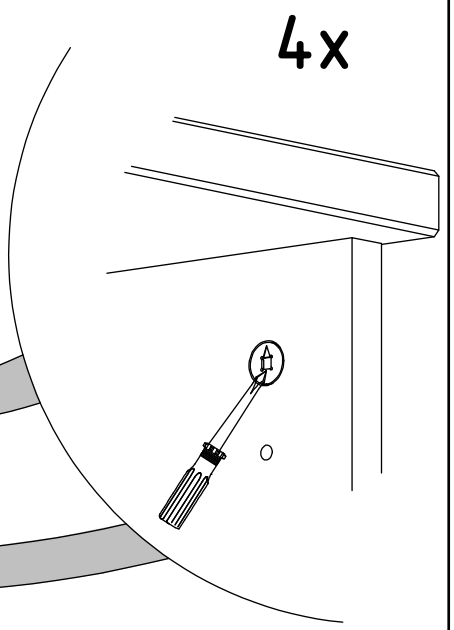
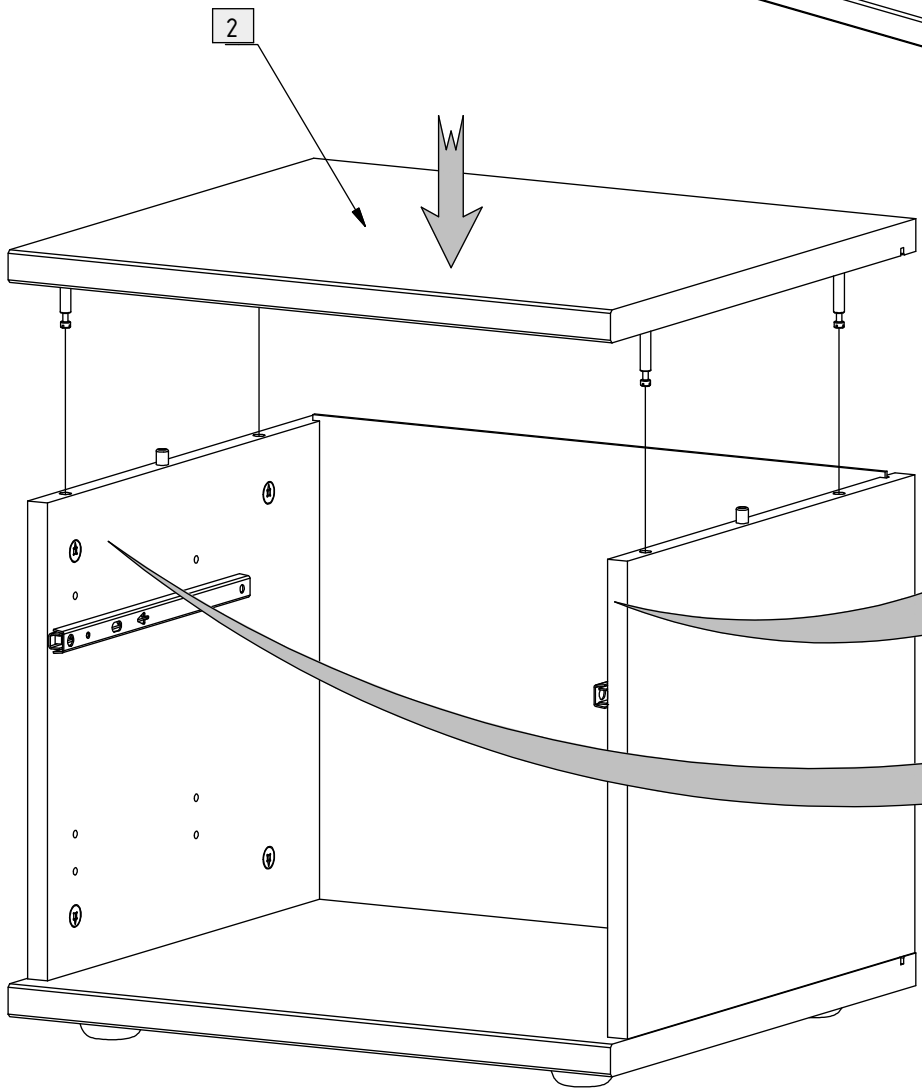
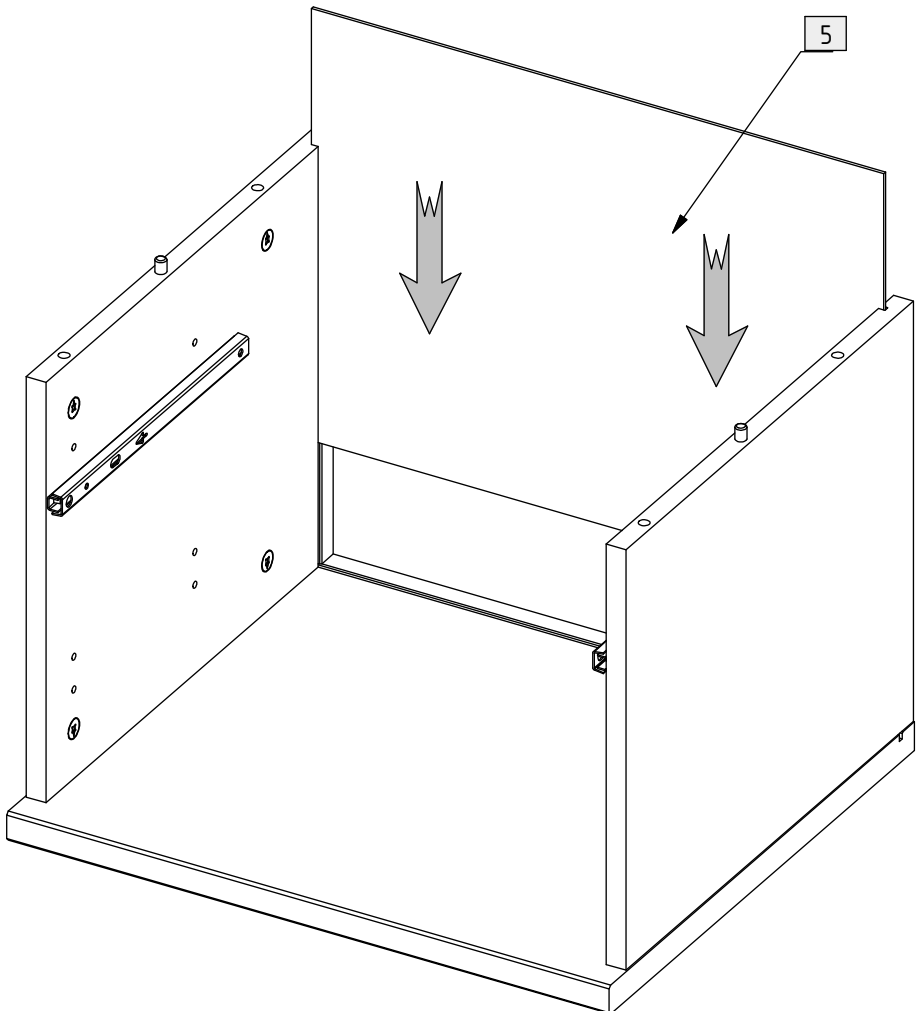




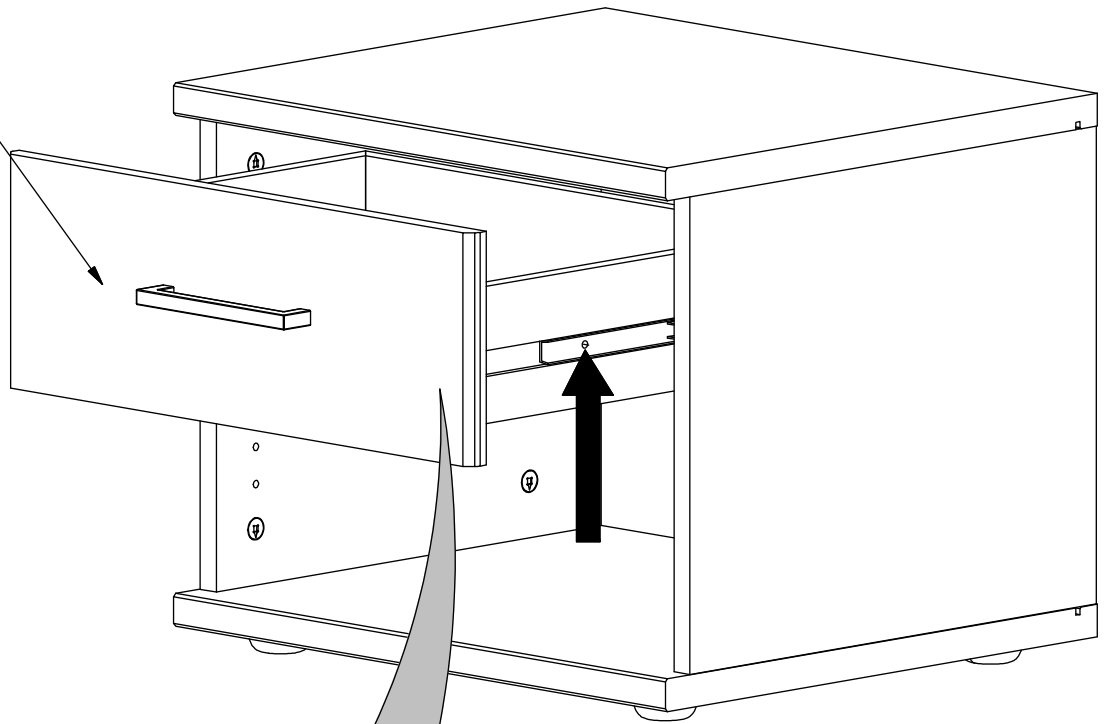
2.

1.





6



2x

