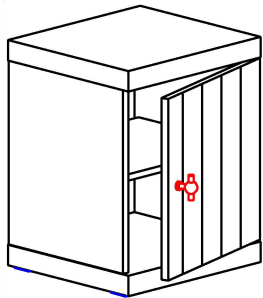
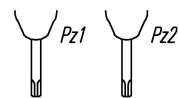
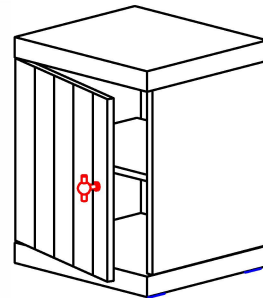


v.R



v.L



- | | | | | | | | | | | | | |
|--------------------------------|-------------------------------|---------------------------|-------------------------------|---------------------------|-----------------------------|--------------------|--------------------|--------------------|--------------------|-----------------------------|--------------------|--------------------|
| A

#7,8x40
x16 | B

L=34/51
x8 | C

#15
x8 | D

#35/h=0
x2 | E

H=0
x2 | F

#4x16
x4 | G

x4 | H

x4 | I

x1 | J

x1 | K

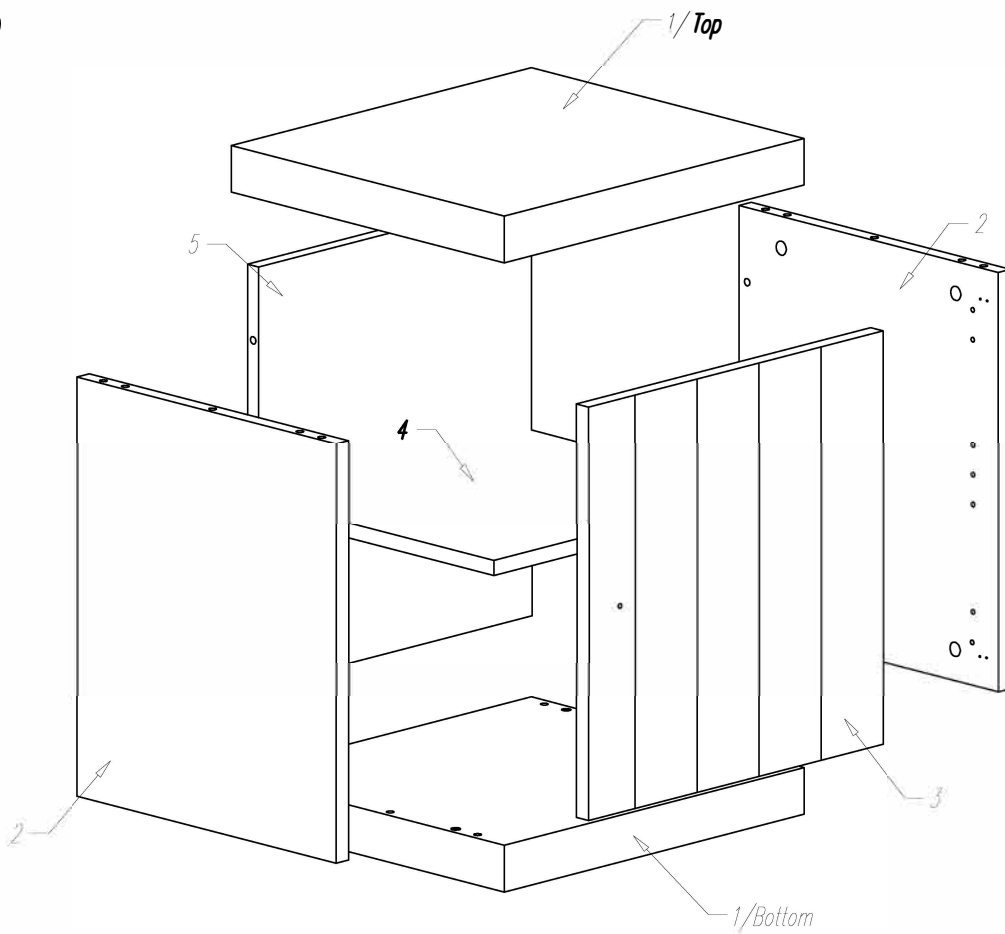
#3x12
x2 | L

x1 | M

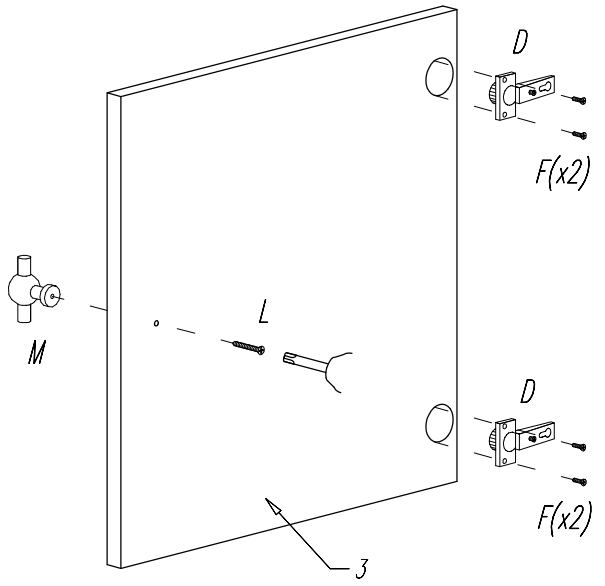
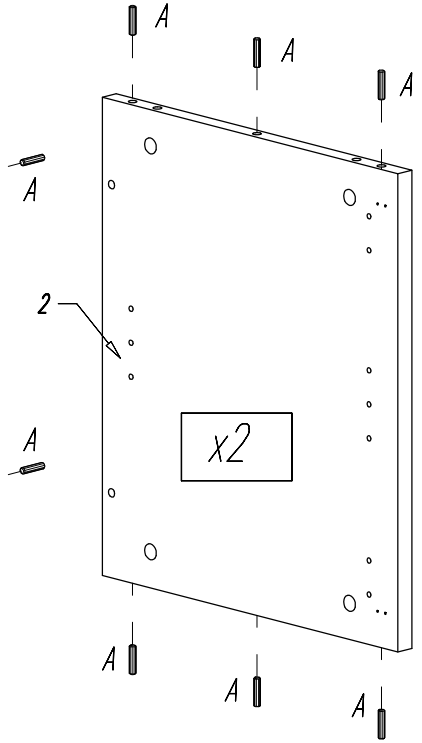
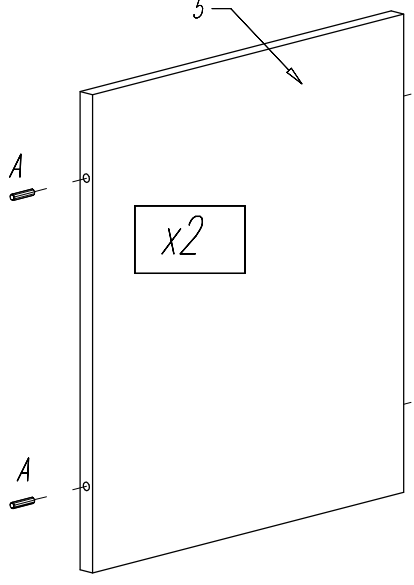
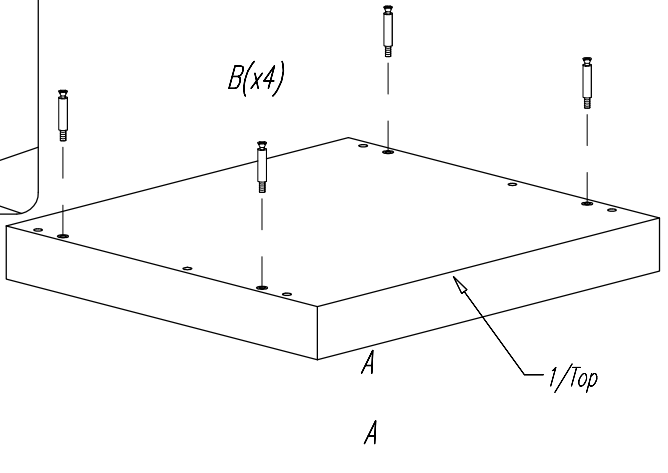
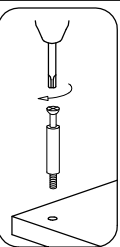
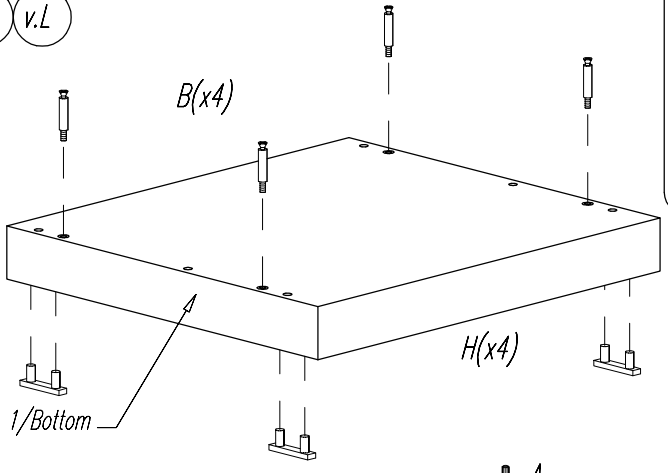
x1 |
|--------------------------------|-------------------------------|---------------------------|-------------------------------|---------------------------|-----------------------------|--------------------|--------------------|--------------------|--------------------|-----------------------------|--------------------|--------------------|

ROBIN-NIGHT

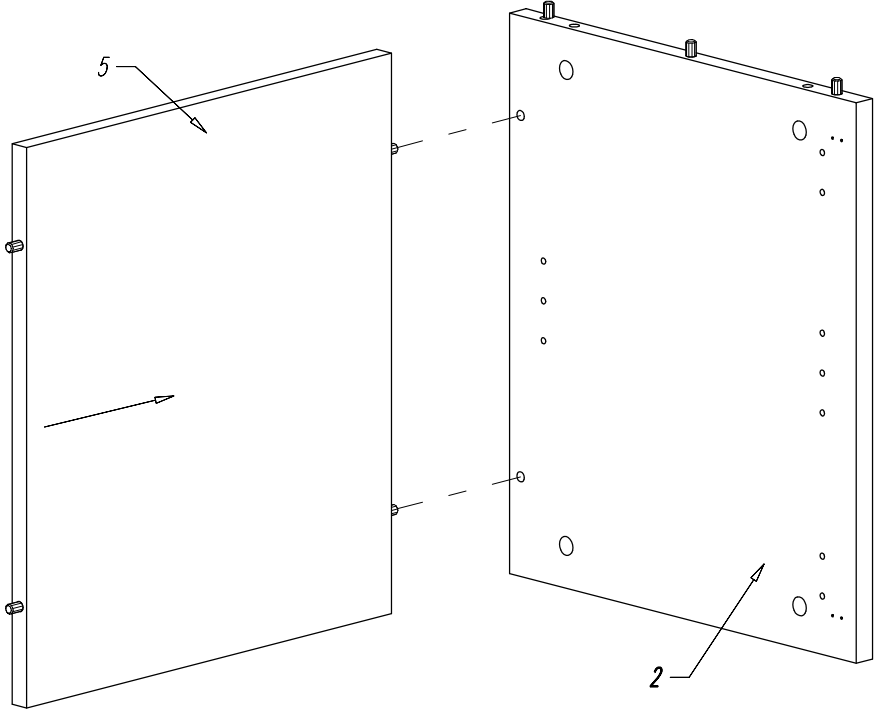
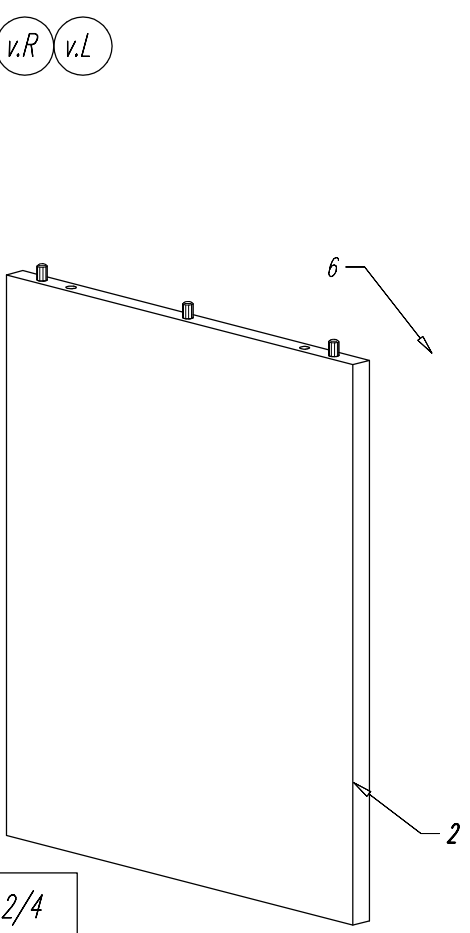
v.R v.L

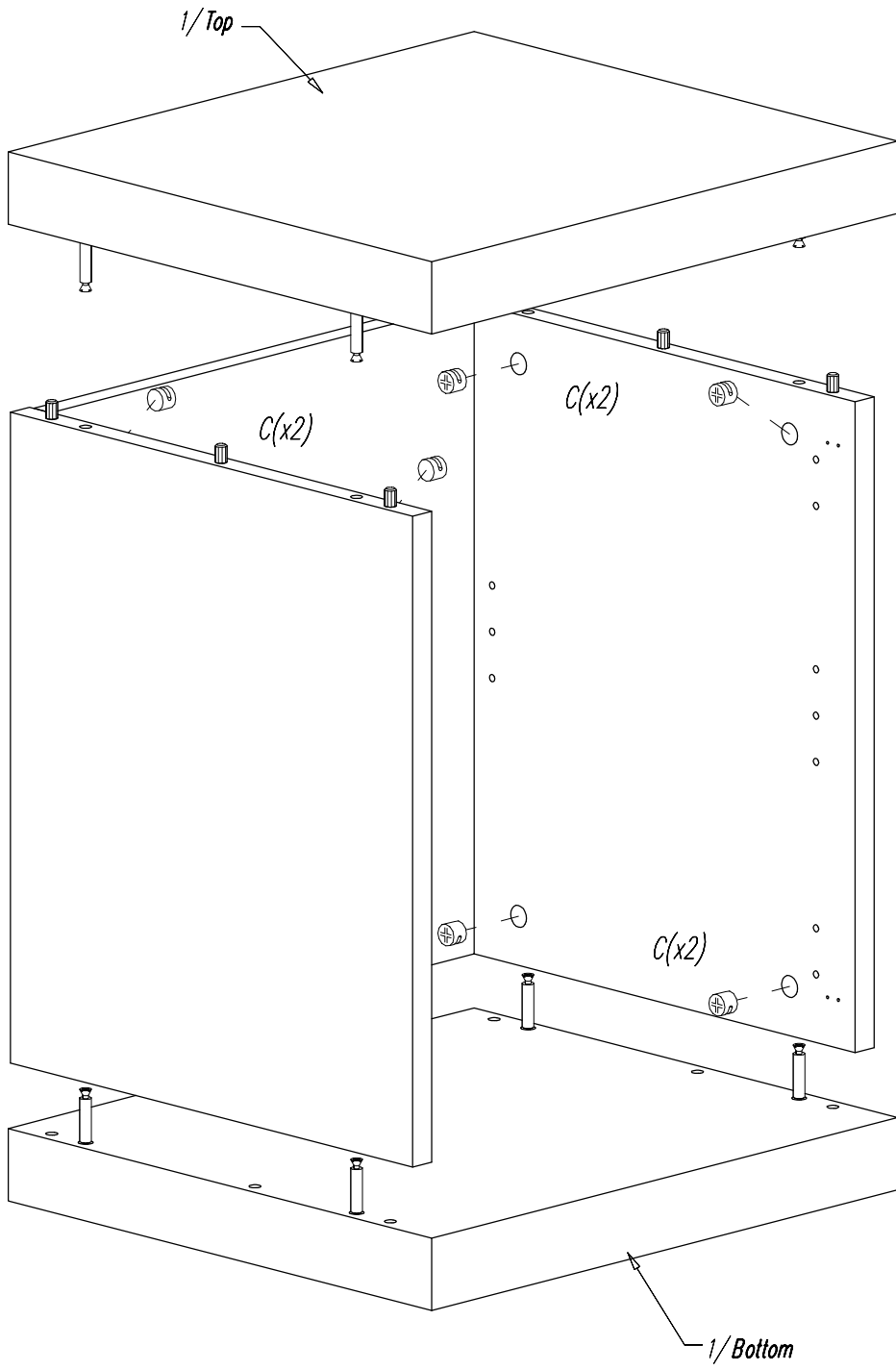
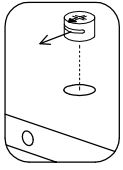


v.R v.L

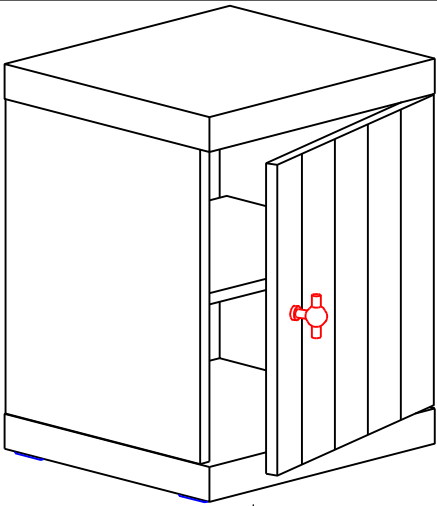


v.R v.L





v.R



v.L

