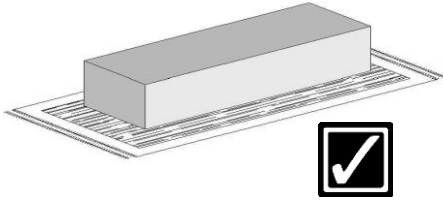


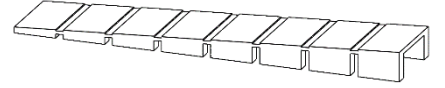
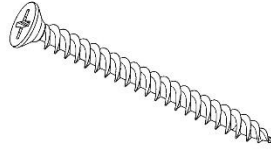
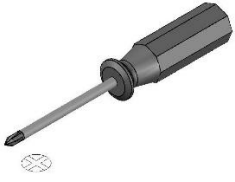
Lynn VA



Lamulux
THE POWER OF INNOVATION



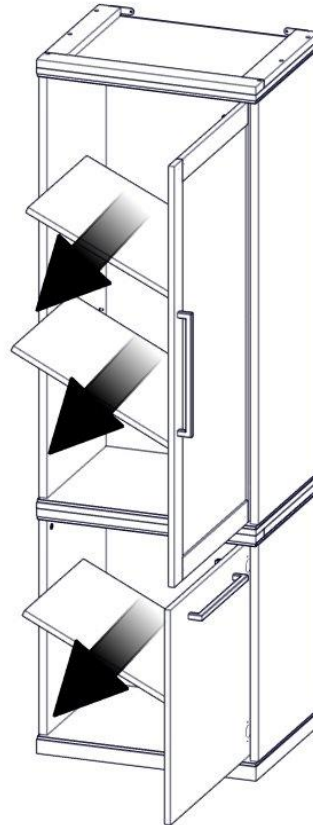
A



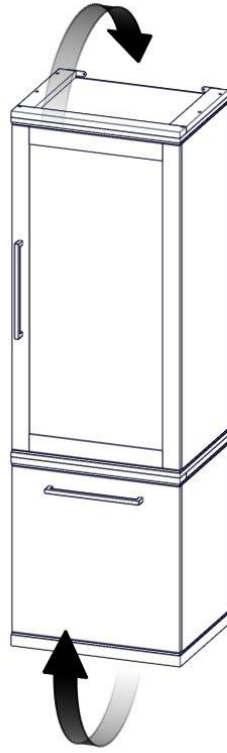
4x30 = 8x

2x

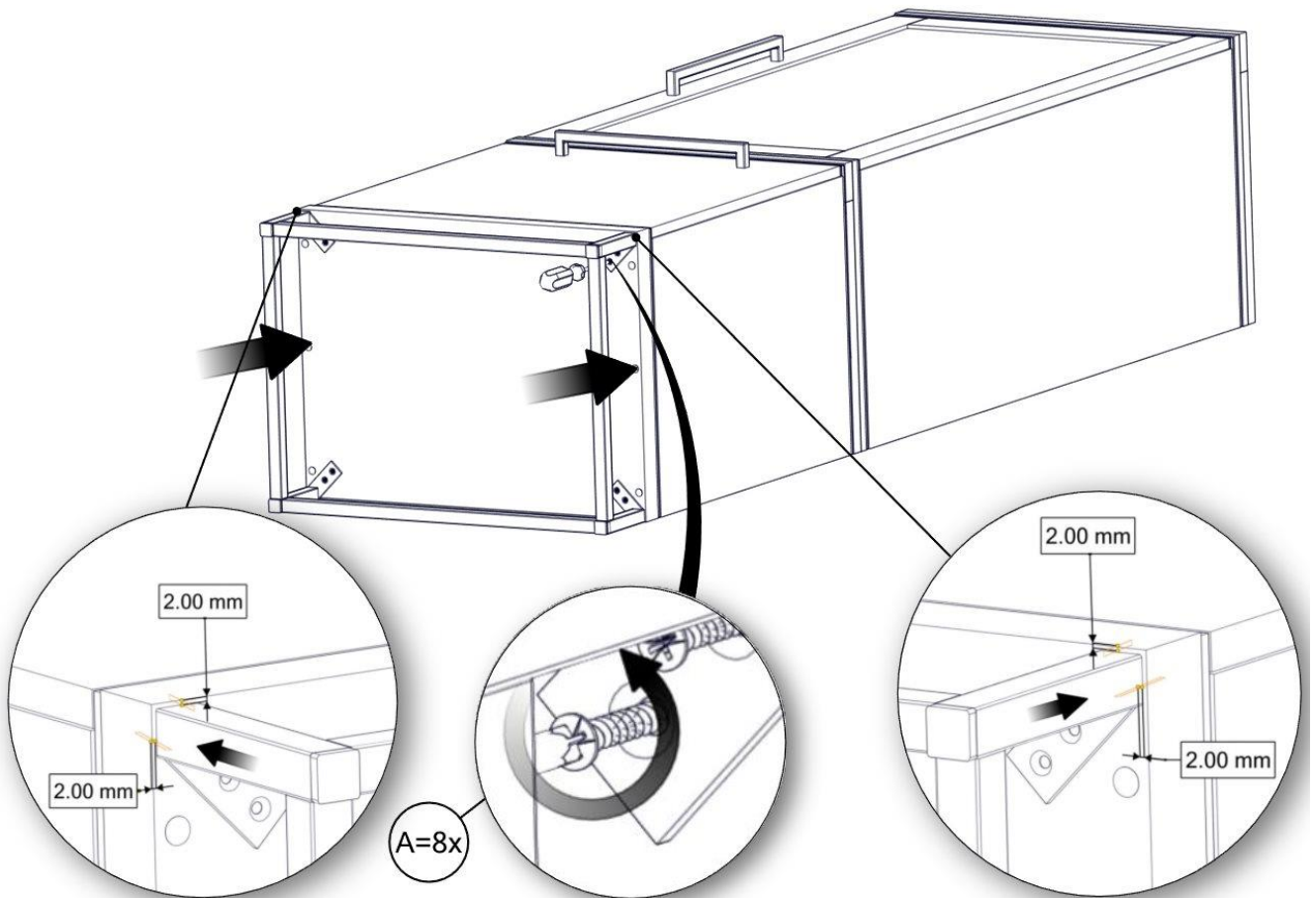
1.



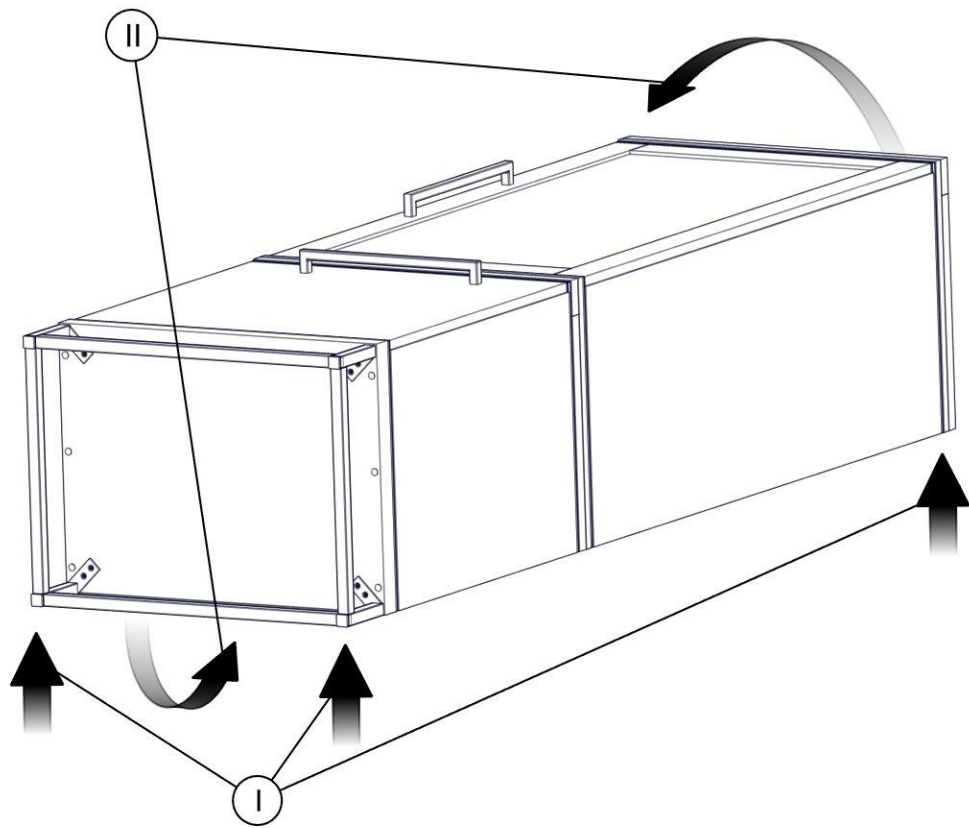
2.



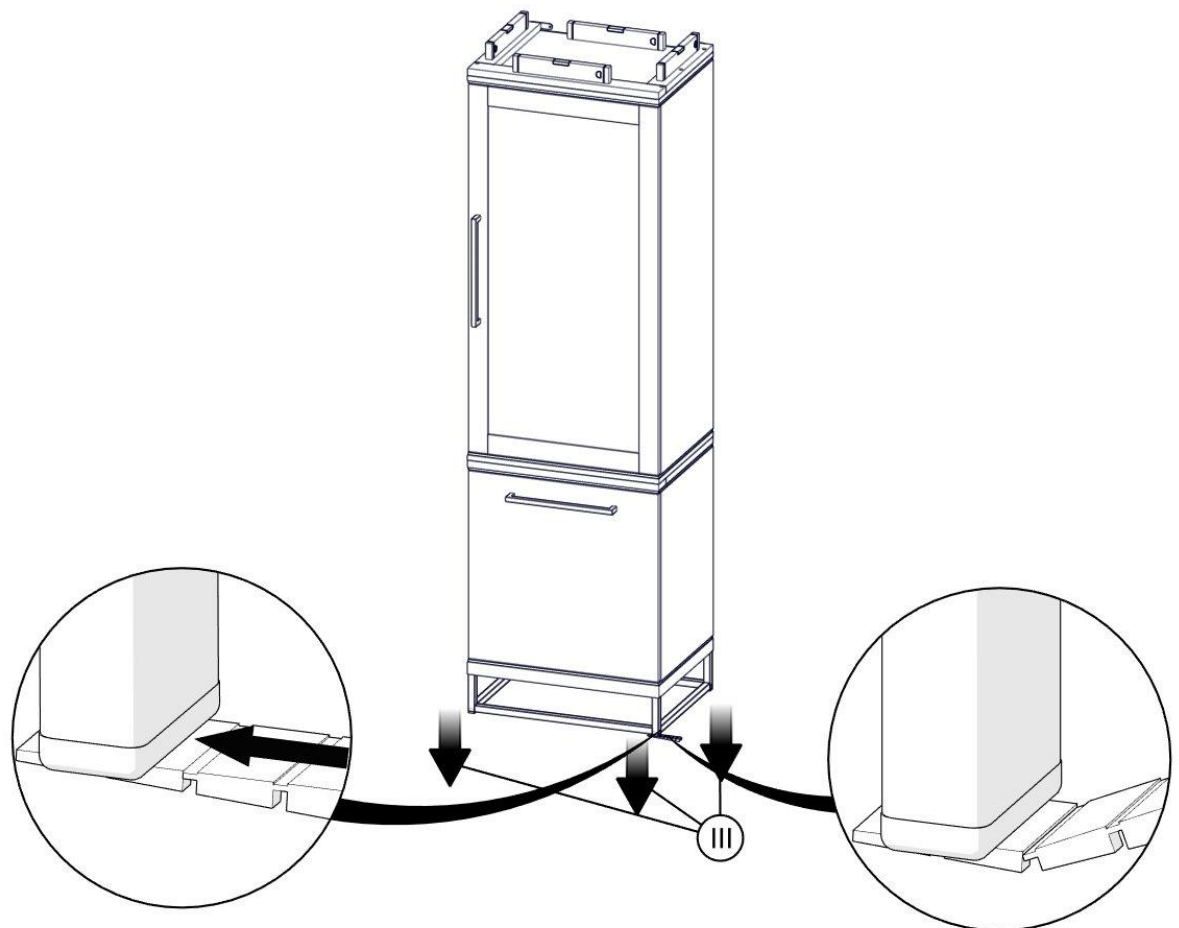
3.



4.



5.



6.

