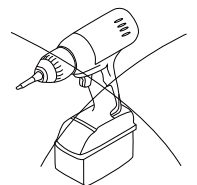
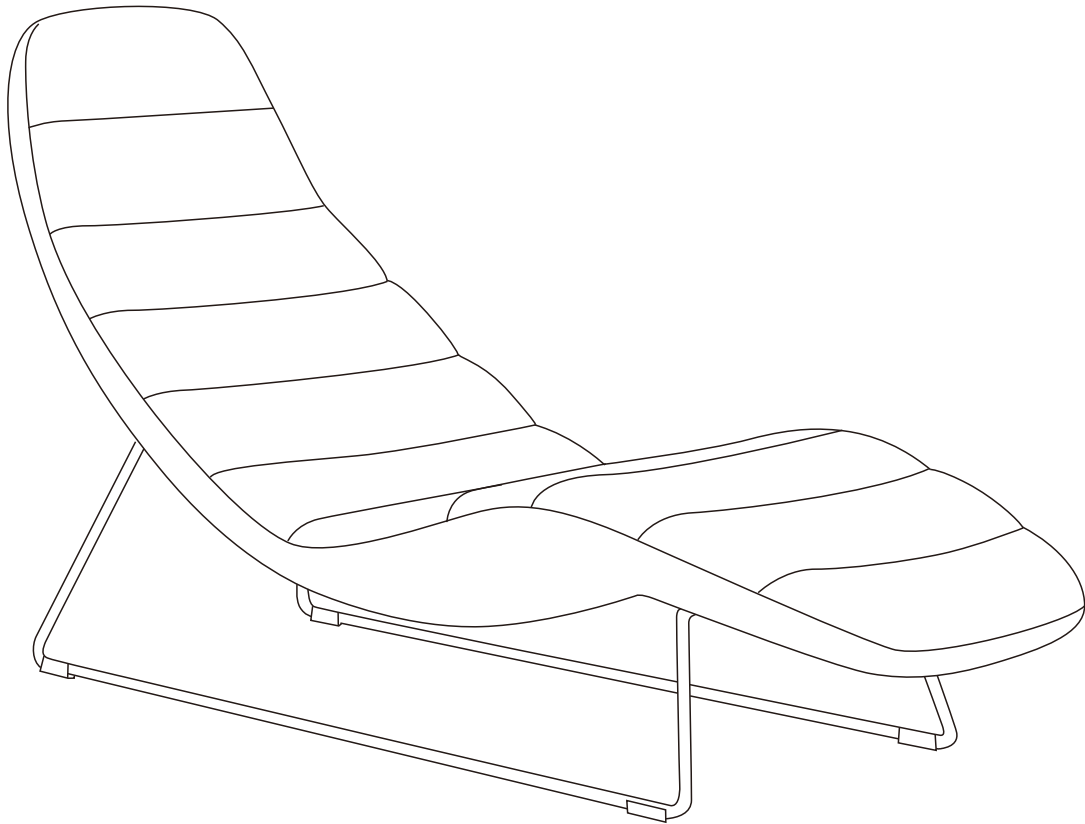
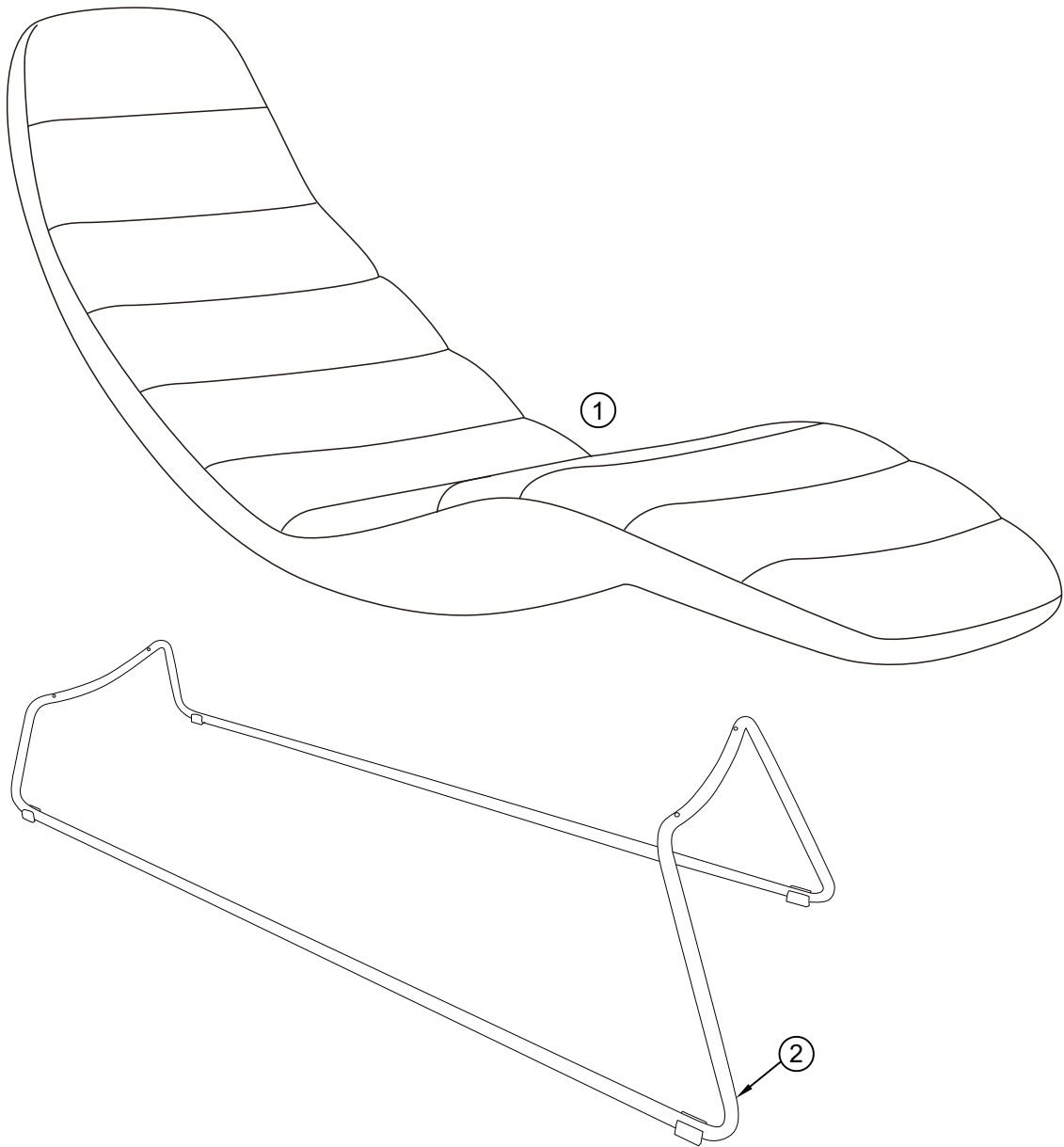
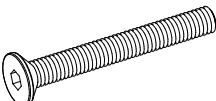
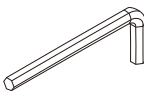


CHAPLIN

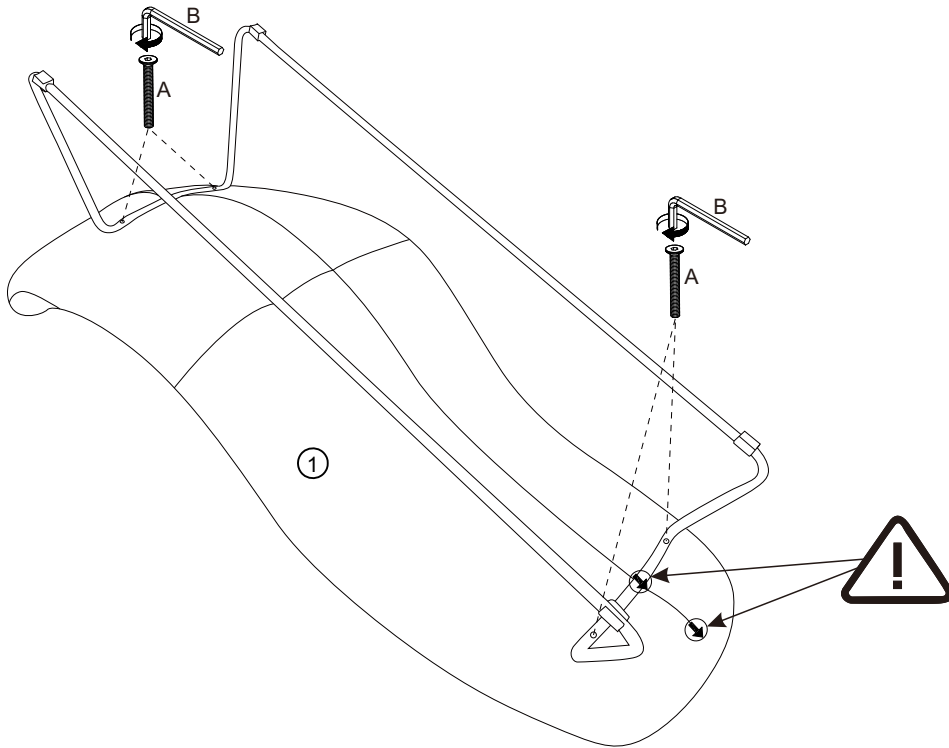
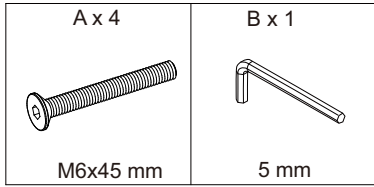


			✓
①	1	1550x630x720	
②	1	1265x495x335	



A x 1	B x 1
	
M6x45 mm	5 mm

1



2

