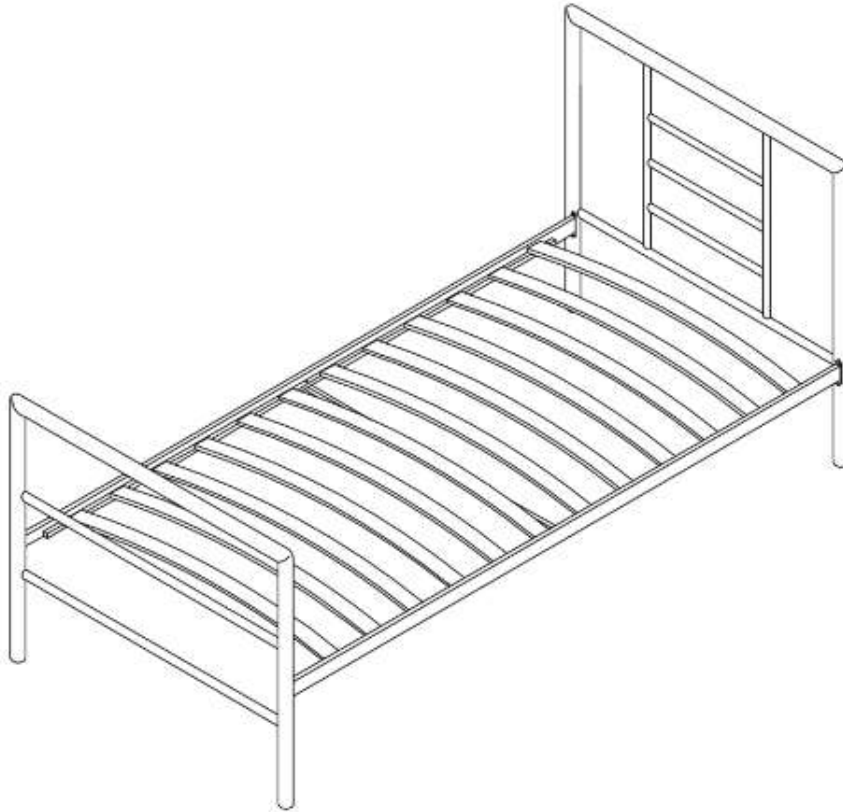


ASSEMBLY INSTRUCTIONS

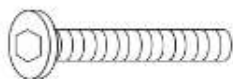


[A]× 8 PCS



M6×20

[B]×2PCS



M6×45

[C]×2PCS



M6

[D]×1PCS



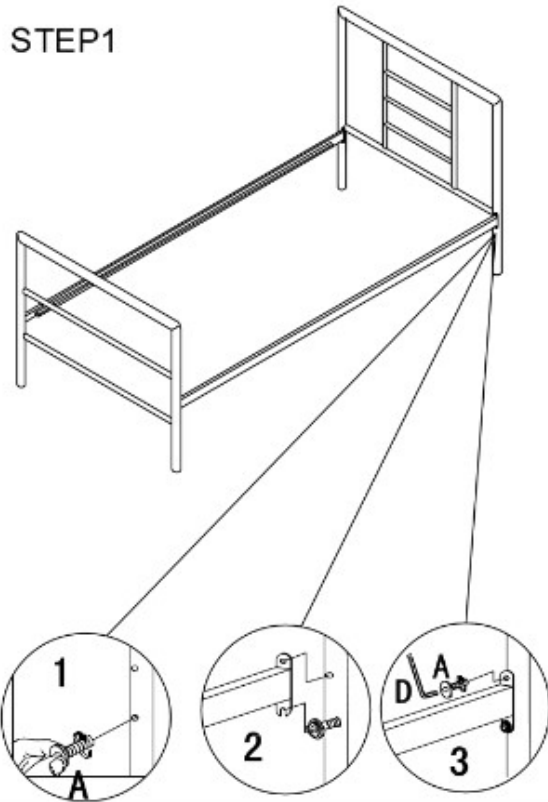
[E]×1PCS



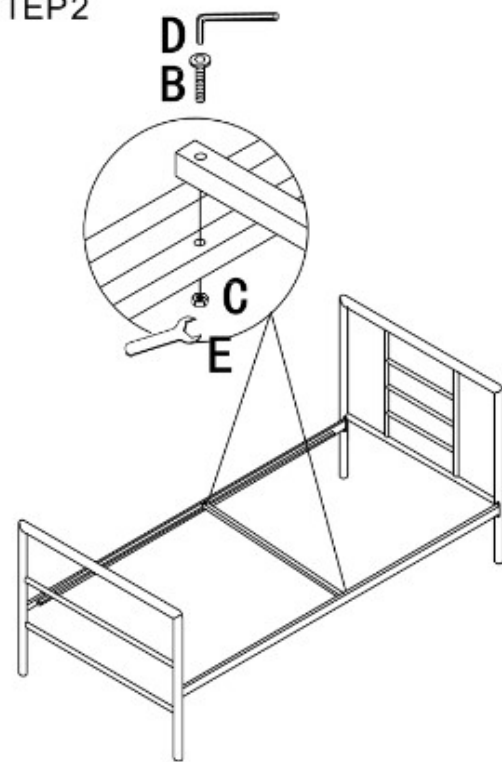
[F]×24PCS



STEP1



STEP2



STEP3

