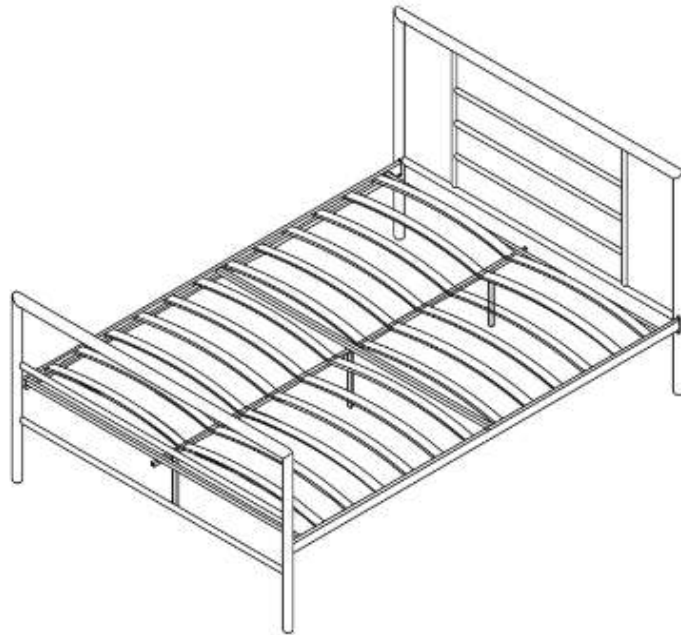
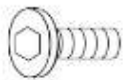


# ASSEMBLY INSTRUCTIONS

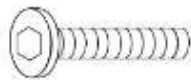


[A] × 8 PCS



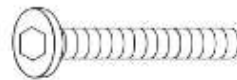
M6 × 20

[B] × 6 PCS



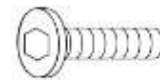
M6 × 45

[C] × 3 PCS



M6 × 55

[D] × 5 PCS



M6 × 35

[E] × 14 PCS



M6

[F] × 1 PCS



[G] × 1 PCS



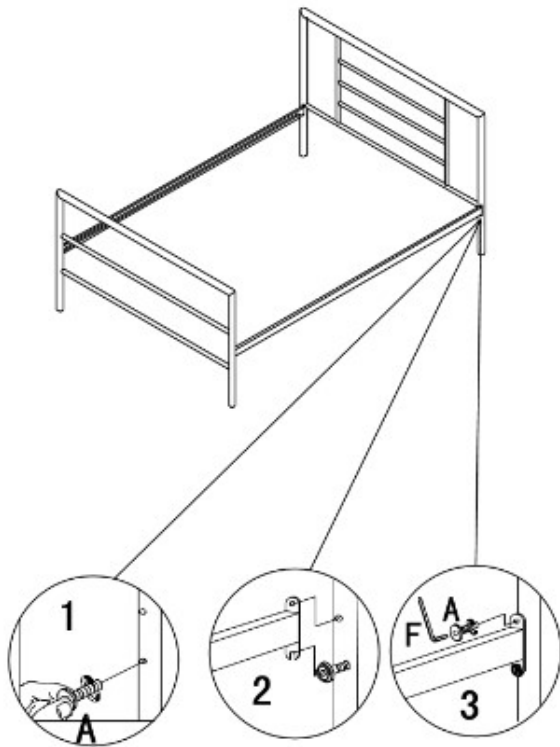
[H] × 24 PCS



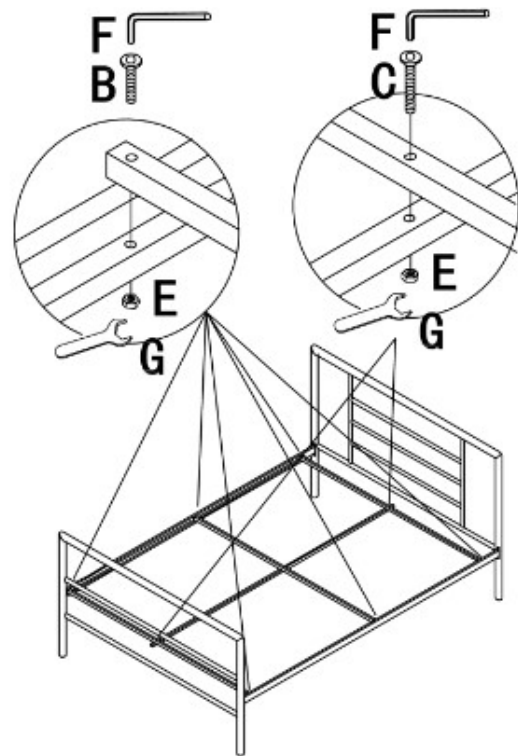
[I] × 12 PCS



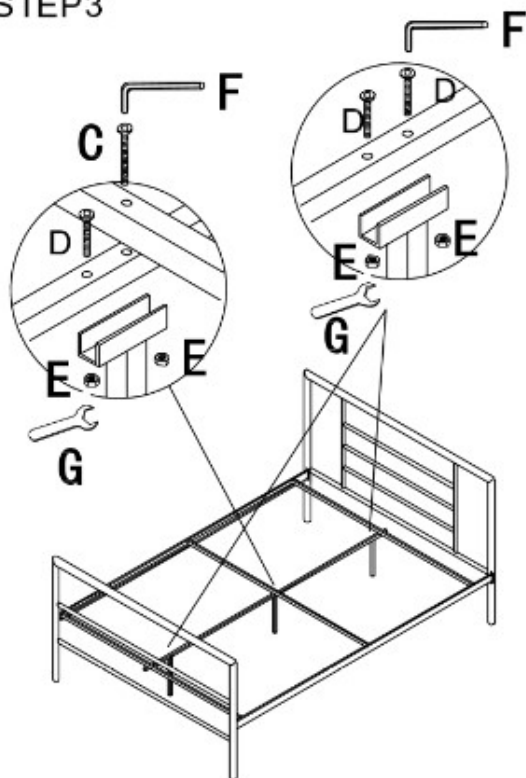
STEP 1



STEP 2



STEP 3



STEP 4

