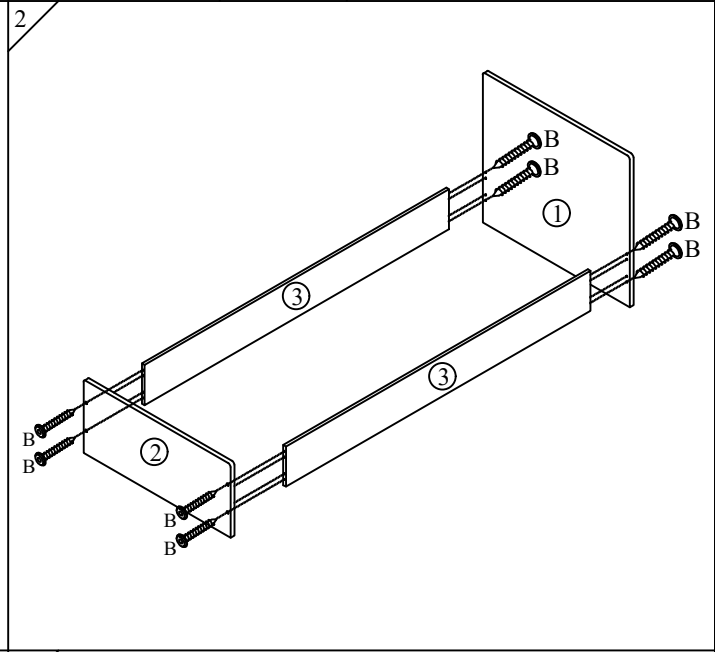
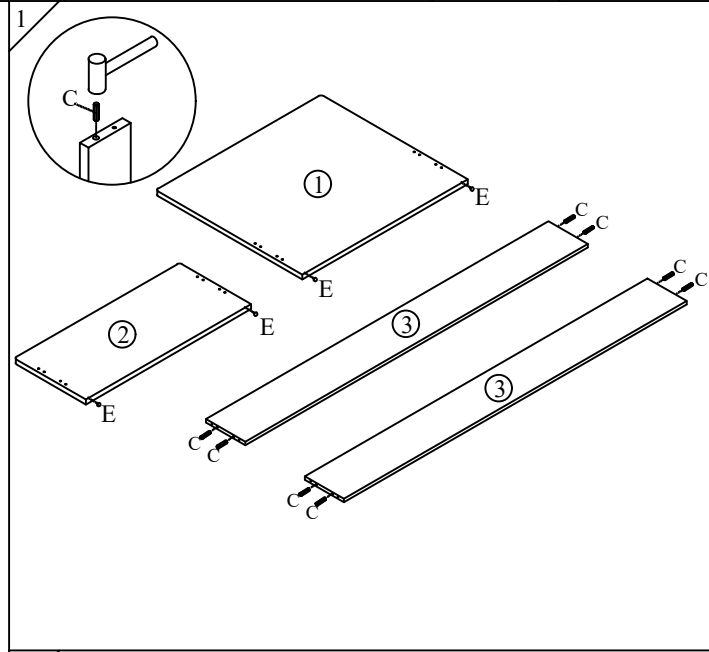
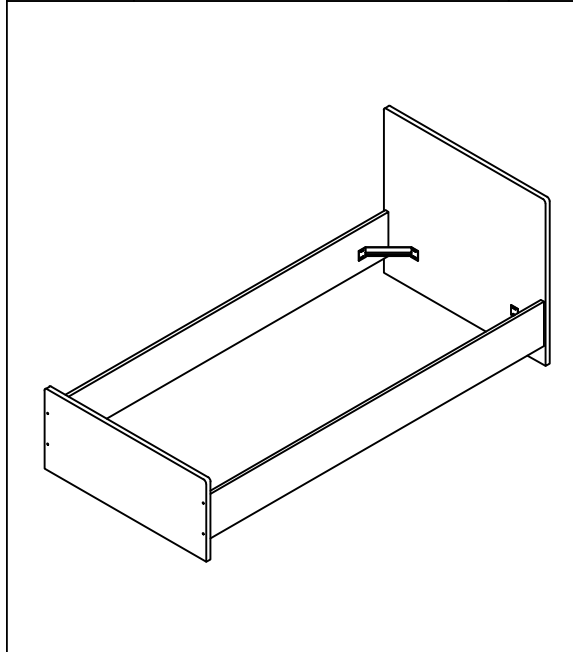


Model	DN BED 3653-3	Issue Date	12 - 11 - 2022	Draw By	YN NG	Approved By / Date	
Form No	P13-RD-05-Rev01	Revision	BED 1.0	Checked By	YN NG	Sheet	01 / 01
Description	Assembly Instructions						



A	ALLEN KEY	1
B	M6 x 50mm JCBW SCREW	8
C	WOOD DOWEL 8 x 30mm	8
D	M4 x 16mm CSK SCREW	16
E	PVC NAIL	4
F	BRACKET 1.0	4
G	Ø15mm HOLE PLUG	8

