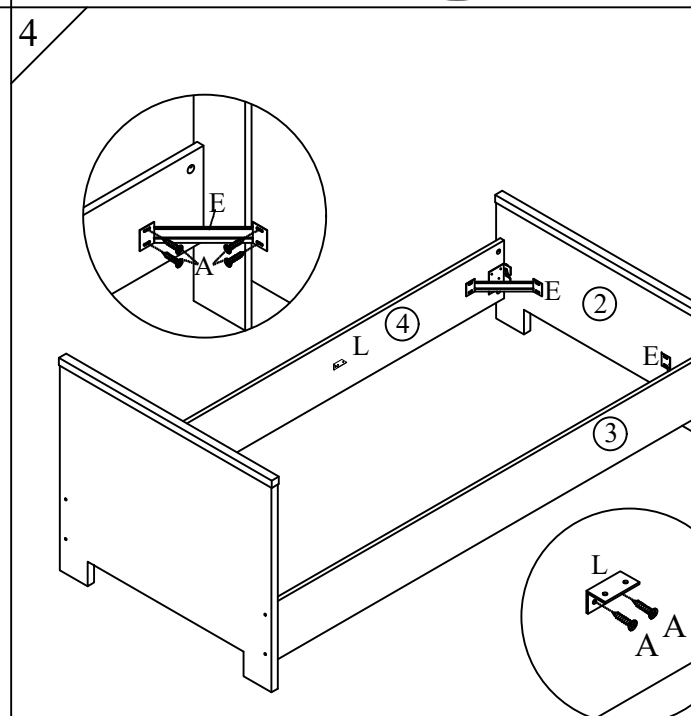
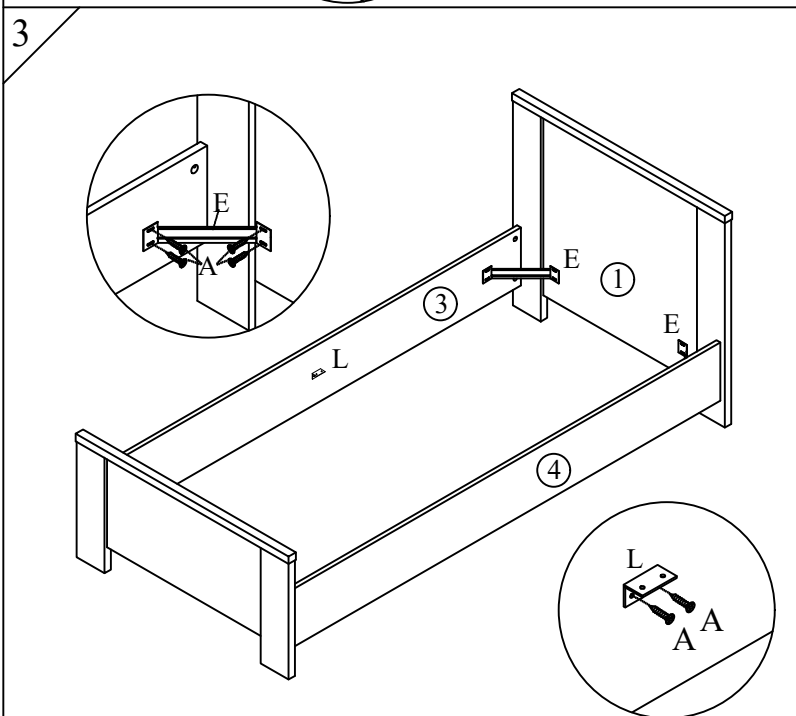
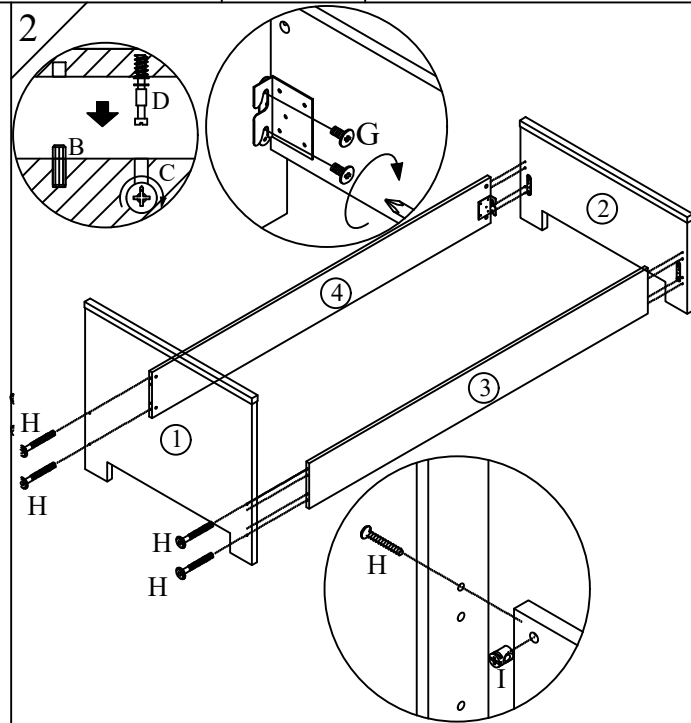
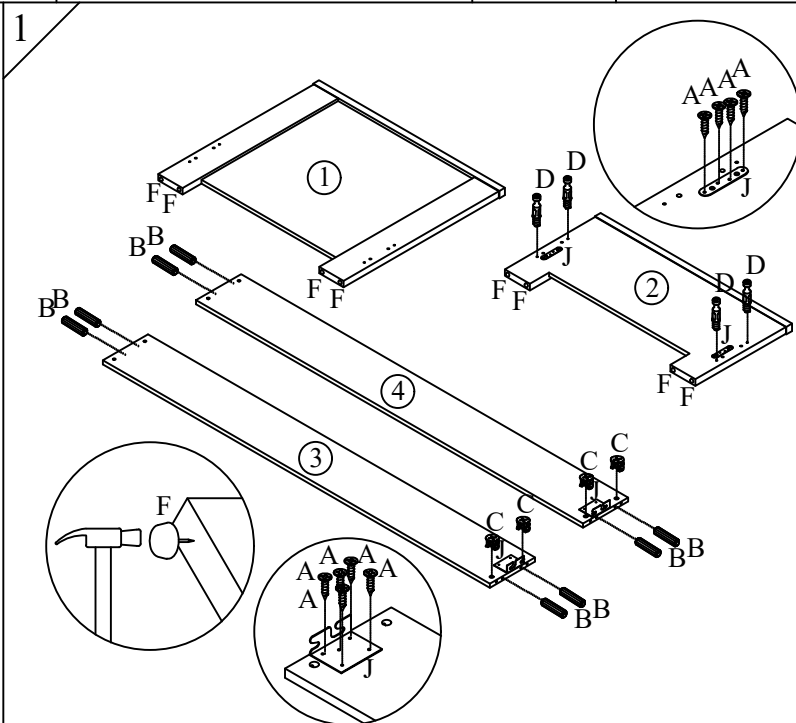
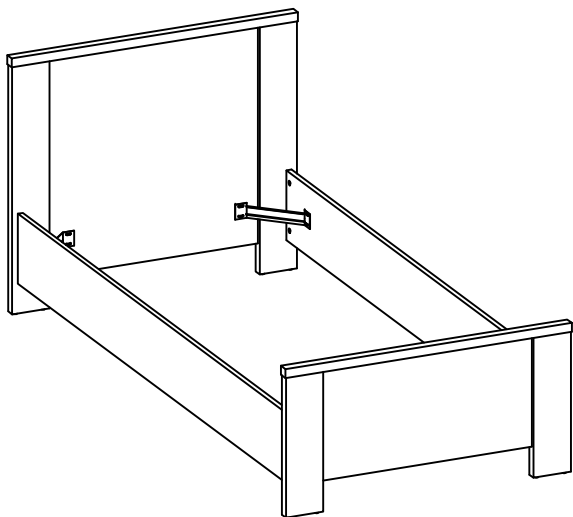


Model	DN BED 3659 - 1	Issue Date	19 - 6 - 2023	Draw By	QIAN	Approved By / Date	
Form No	P13-RD-05-Rev01	Revision	BED 1.0	Checked By	YN NG	Sheet	01 / 01
Description	Assembly Instructions						



A		CSK SCREW M4 x 16 mm	38
B		WOOD DOWEL M8 x 30 mm	8
C		CAM NUT 15 mm	4
D		CAM BOLT	4
E		BRACKET 1.0	4
F		PVC NAIL 5/8"	8
G		BOLTS	4
H		JCBC SCREW M6 x 60mm	4
I		BARREL NUT M6	4
J		BED HINGES	2
K		ALLEN KEY	1
L		AC BRACKET 50 x 25 x 25 mm	2