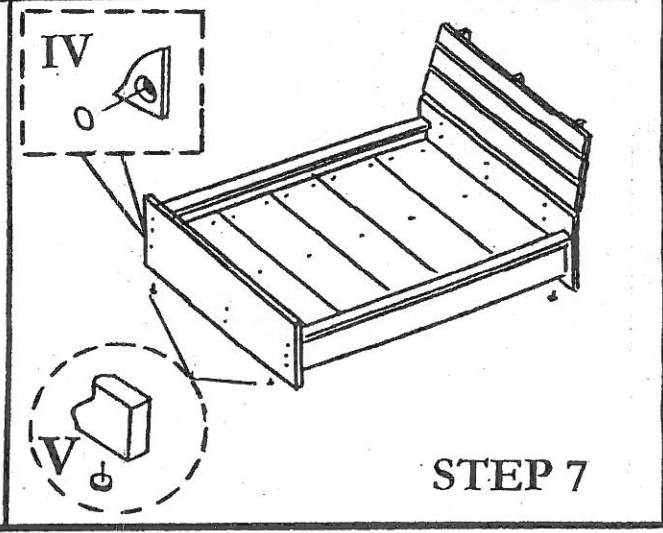
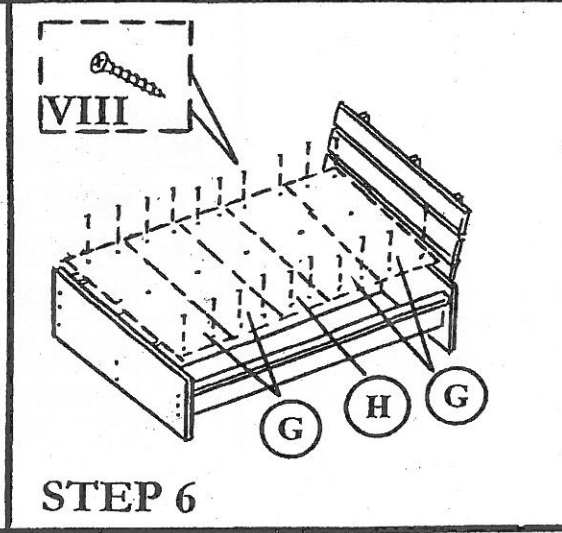
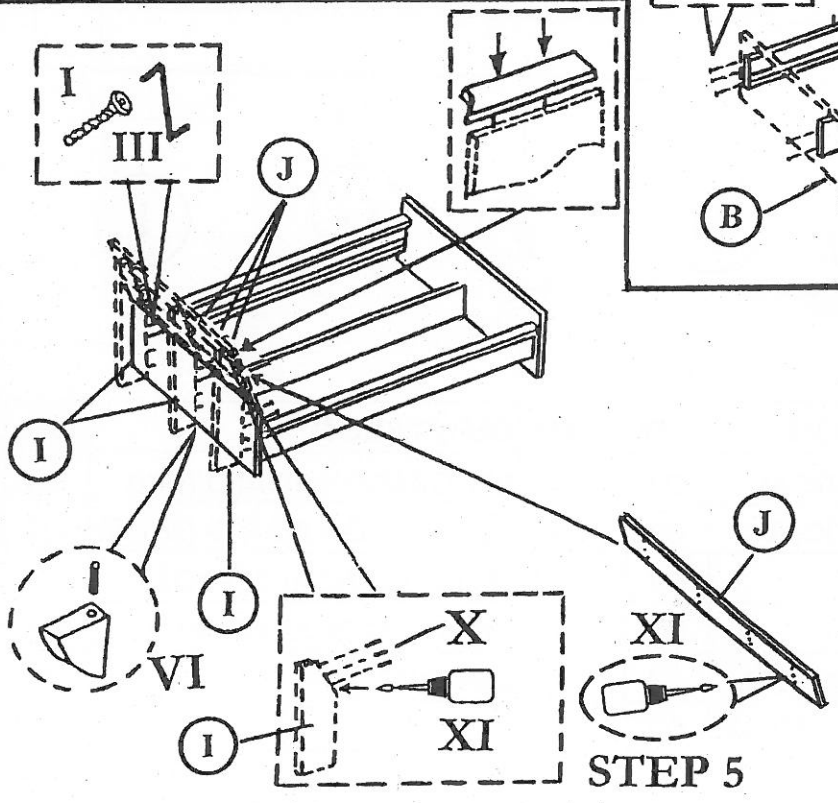
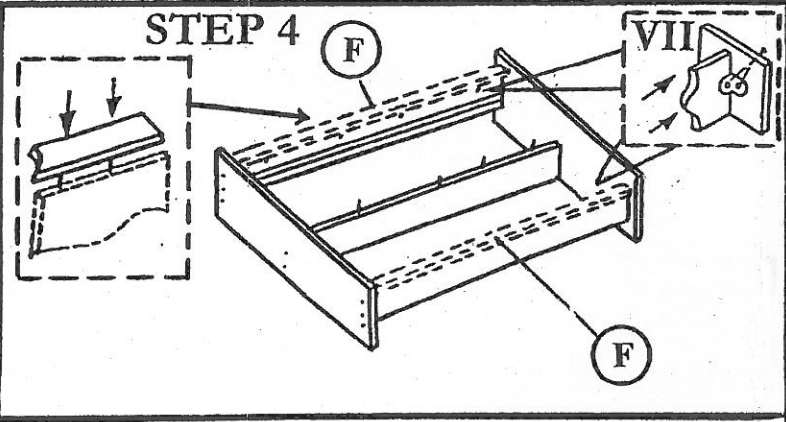
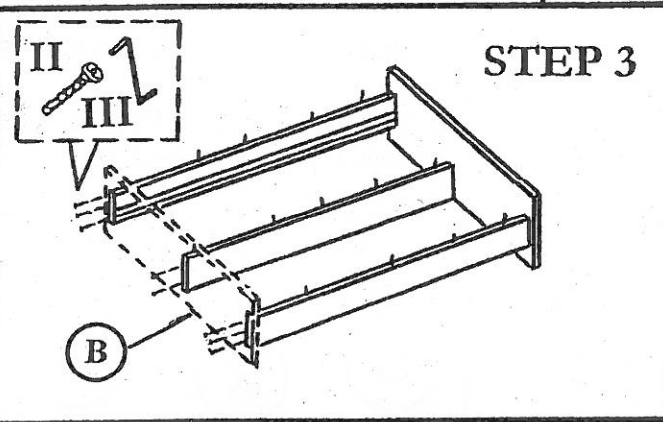
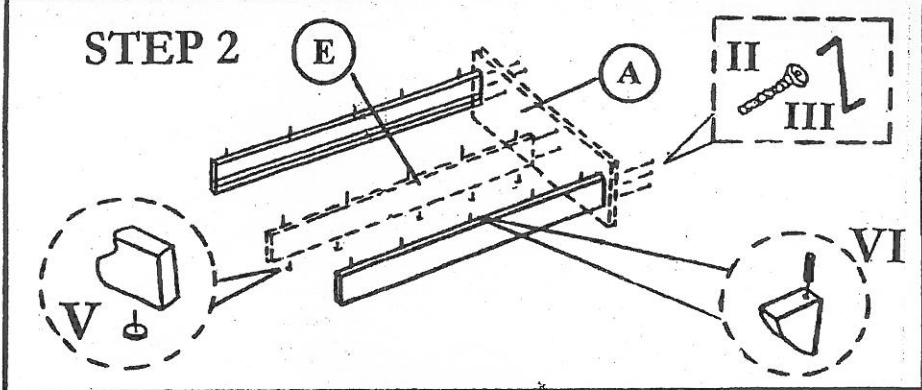
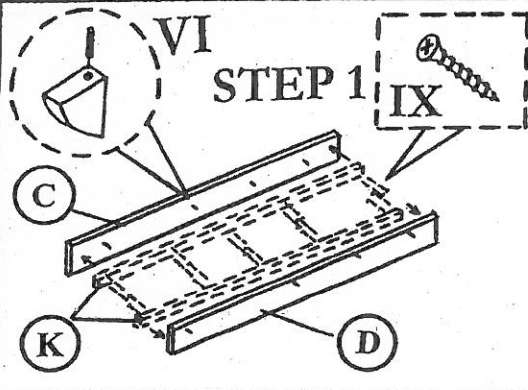


ASSEMBLY INSTRUCTION

MODEL: 24511B / SINGLE BED

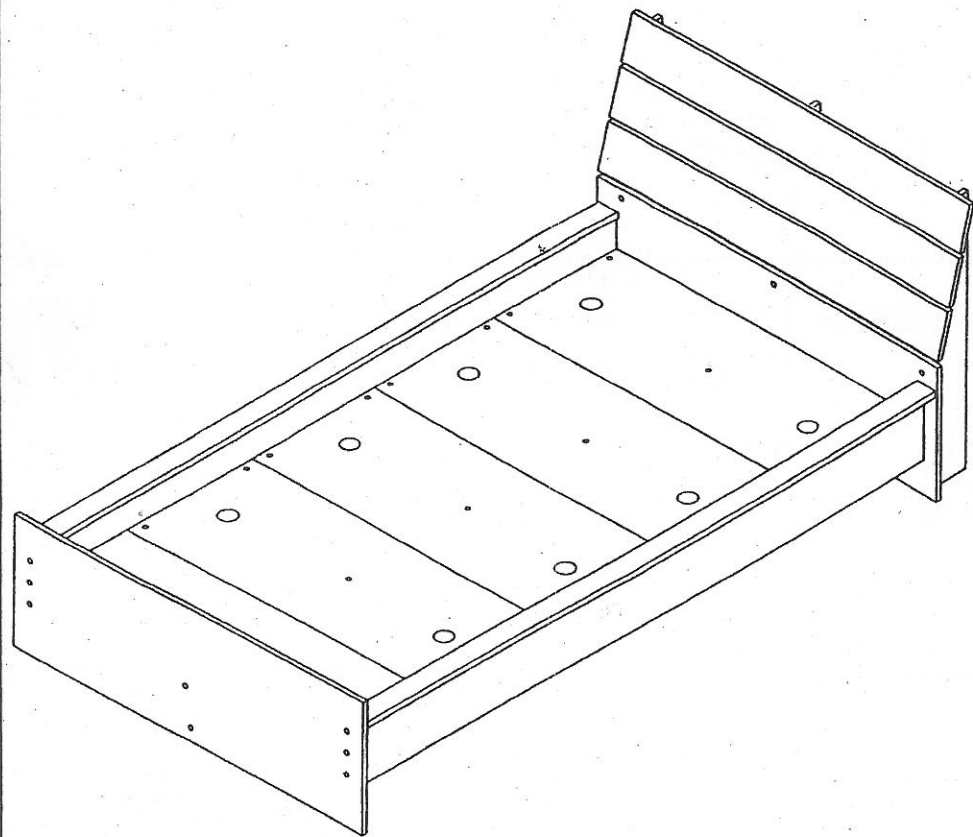
Before you begin, please follow Assembly Instruction carefully.
Then follow them step by step.

HARDWARE		LIST	
NO	DESCRIPTION		QTY
I	JCBCW SCREW M6 x 45		6pcs
II	JCBCW SCREW M6 x 60		16pcs
III	ALLEN KEY		1pc
IV	STICKER		11pcs
V	PVC NAIL WITH PIN		10pcs
VI	M8 x 30 PLASTIC DOWEL		29pcs
VII	L BRACKET & SCREW M3.5 x 12		15sets
VIII	M4 x 25 CHIPBOARD SCREW		20pcs
IX	M3.5 x 30 CHIPBOARD SCREW		20pcs
X	M8 x 30 WOOD DOWEL		18pcs
XI	GLUE		1pc



CAUTION :

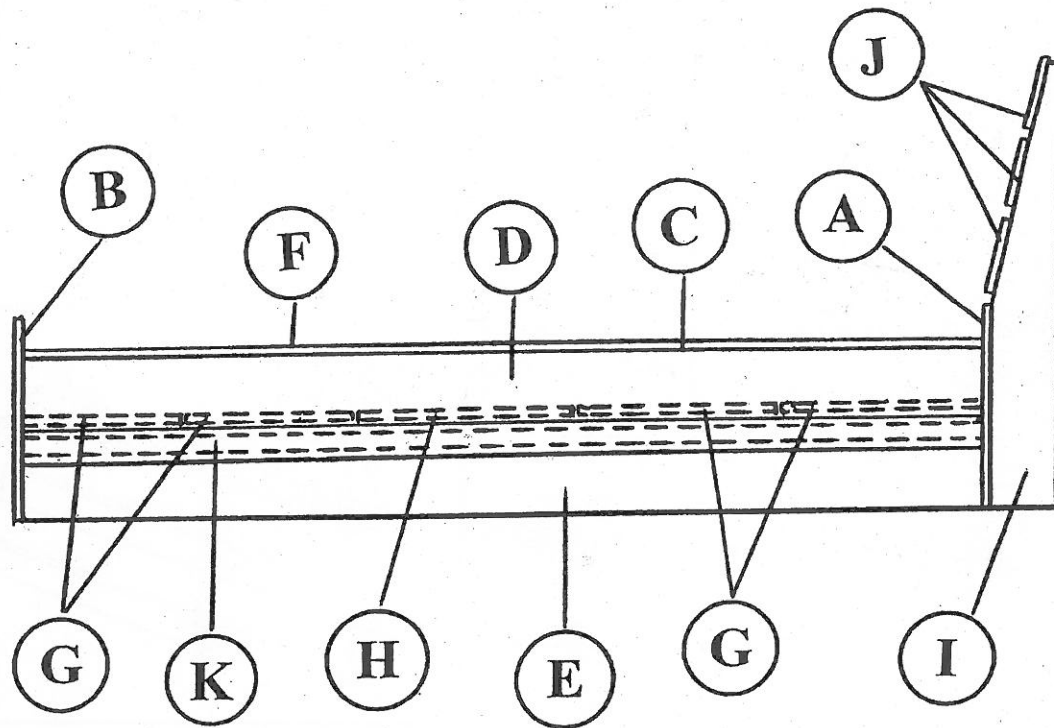
To clean use soft, dry cloth. Do not use detergent or chemicals.
 Avoid contact with water and direct sunlight.
 To be assembled on a soft,dry, clean and smooth surface.



COMPLETE SET

ORDERING REPAIR PARTS

In order to obtain smooth and rapid service when ordering repair parts, please give full attention to the following of PART NUMBER.



NO	DESCRIPTION	QTY
A	FRONT VERTICAL	01
B	BACK VERTICAL	01
C	LEFT SIDE	01
D	RIGHT SIDE	01
E	CENTRE VERTICAL	01
F	SIDE CENTRE SHELF	02

NO	DESCRIPTION	QTY
G	DECORATION BOARD (big)	04
H	DECORATION BOARD (small)	01
I	FRONT VERTICAL SUPPORT	03
J	FRONT VERTICAL BOARD (up)	03
K	SIDE SUPPORT	02