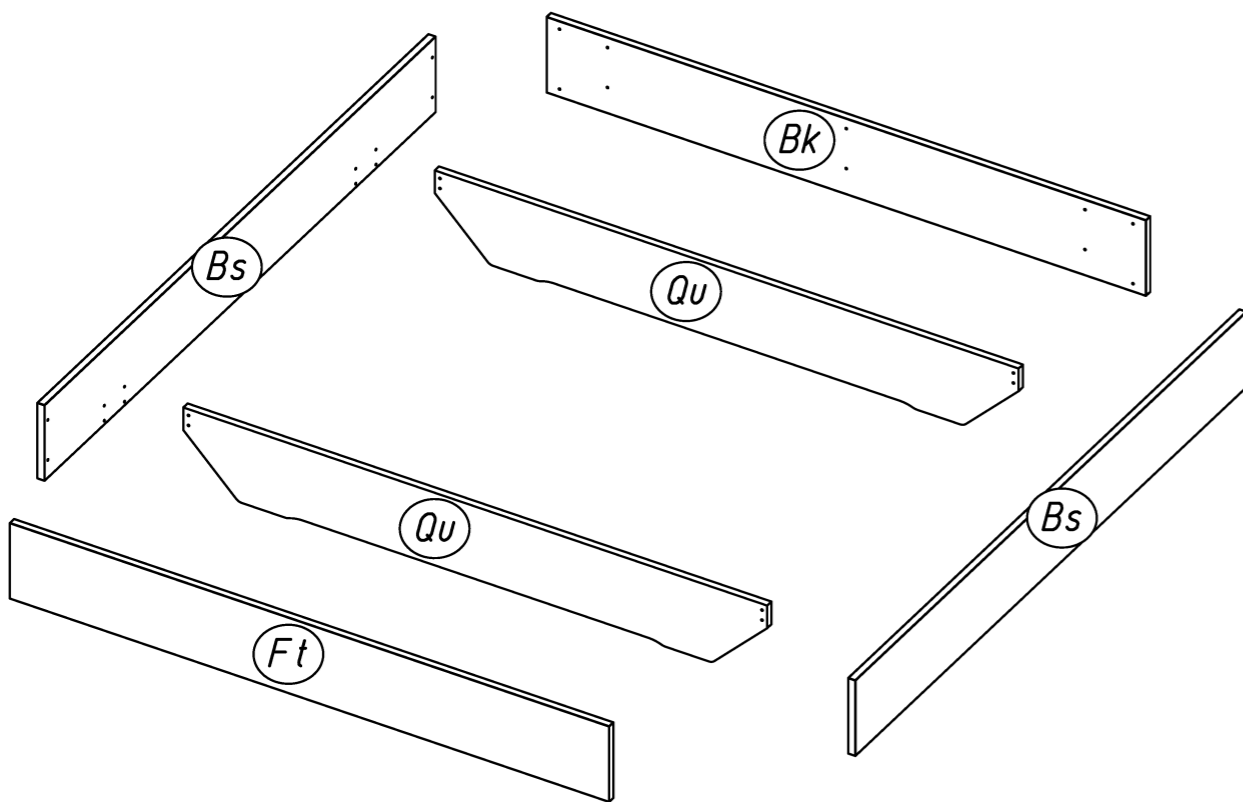
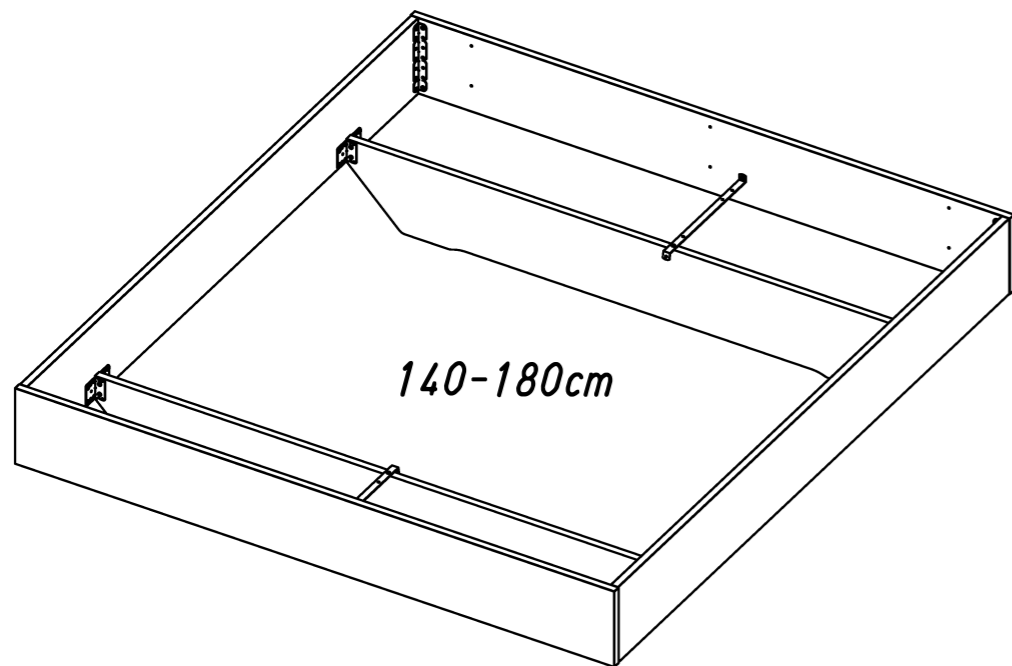
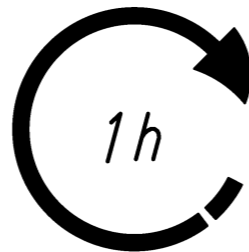
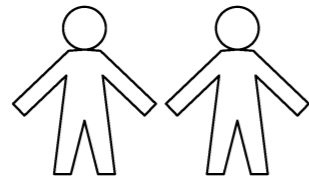
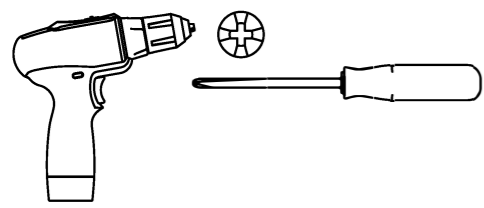


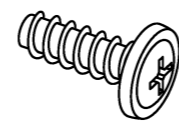
1.

M2385_01



2.

25



6,3x18

56



M4x32

176



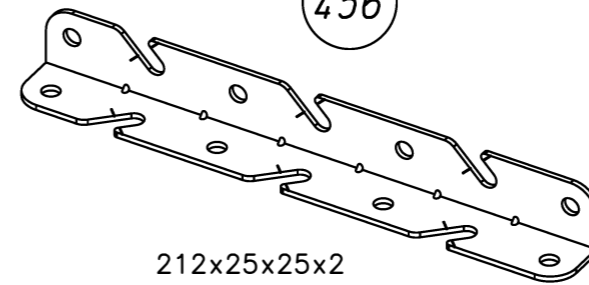
M4

202



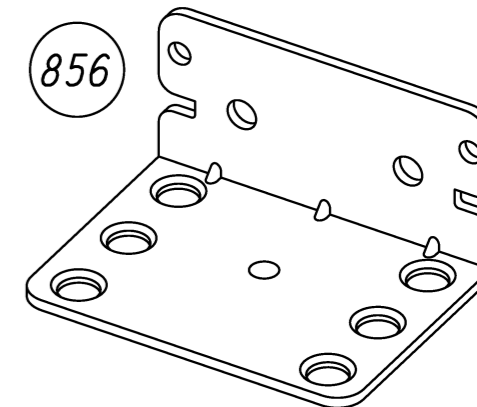
4.5x16

456

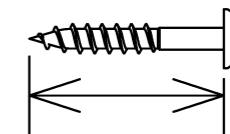
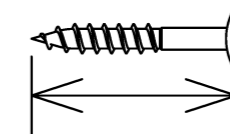
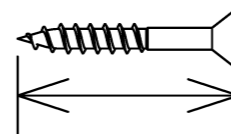
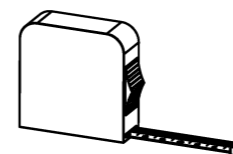
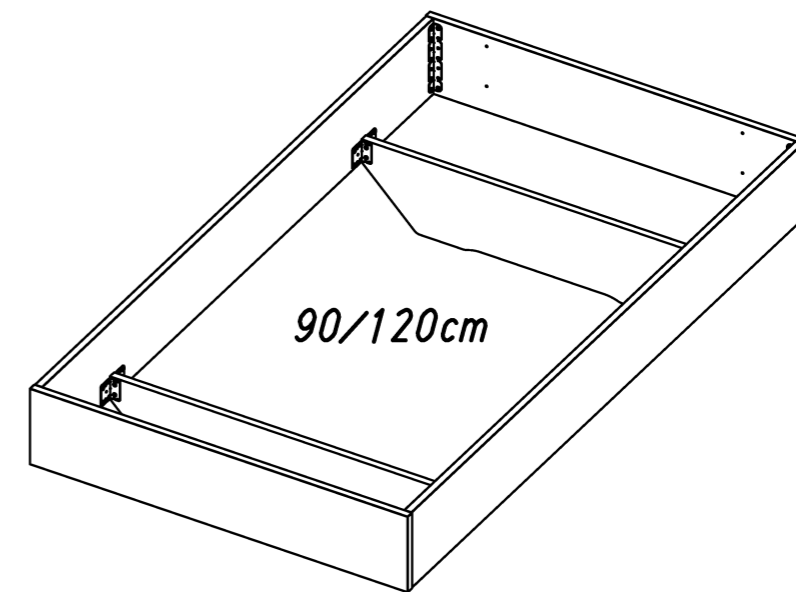


212x25x25x2

856



90/120cm

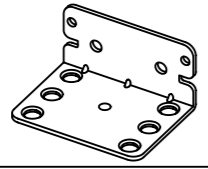


M2385

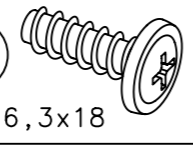
3.

1

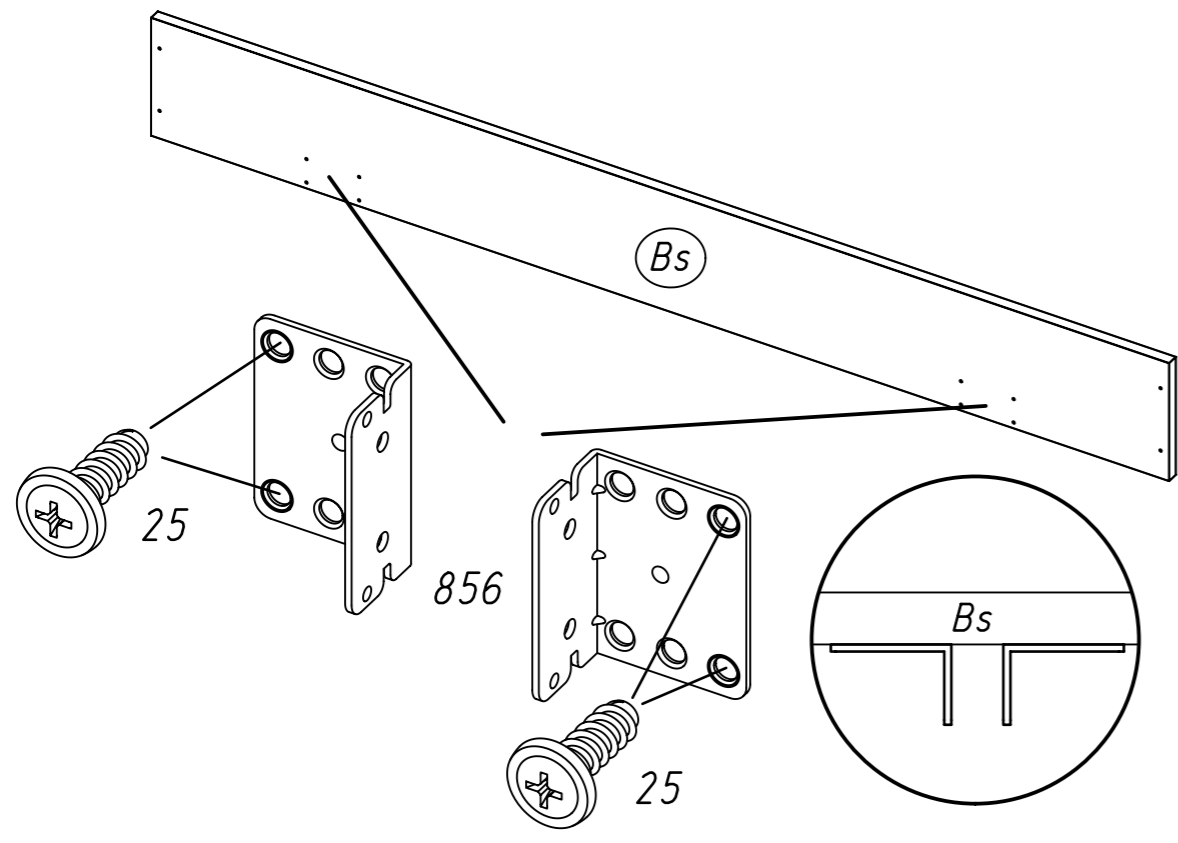
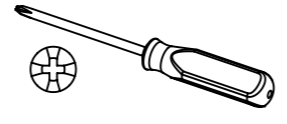
8x 856



16x 25



6,3x18

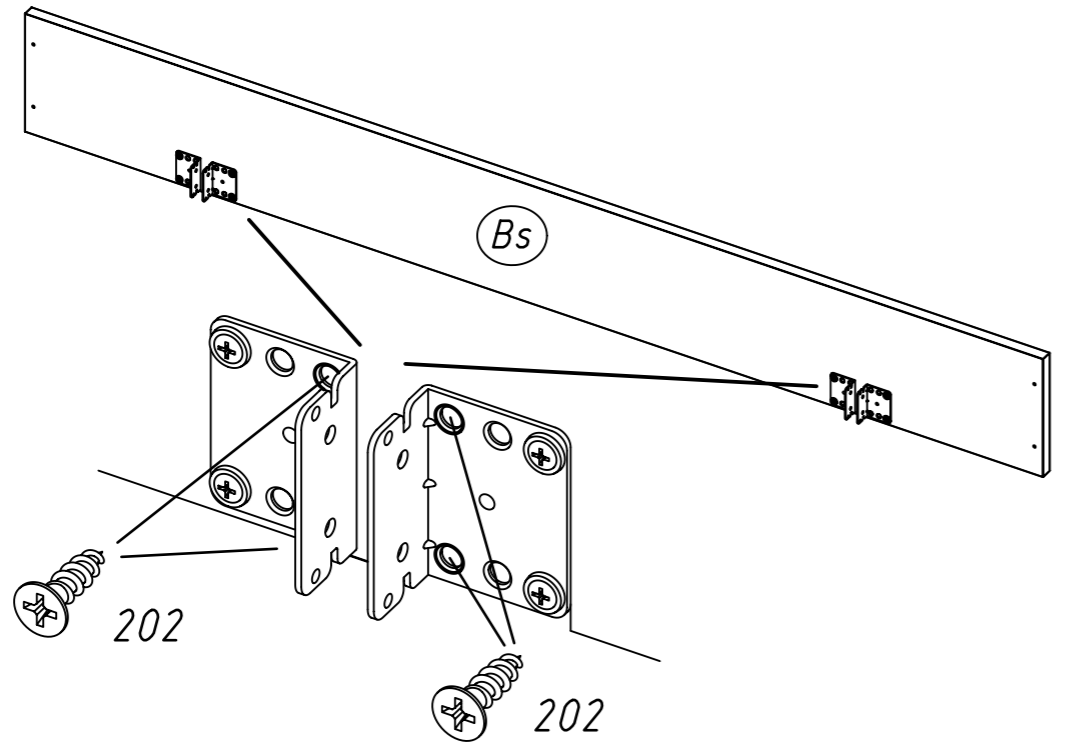
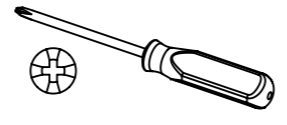


2

16x 202



4.5x16

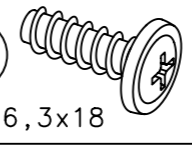


M2385

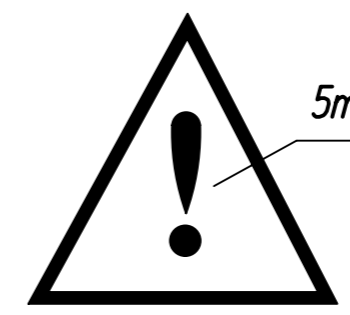
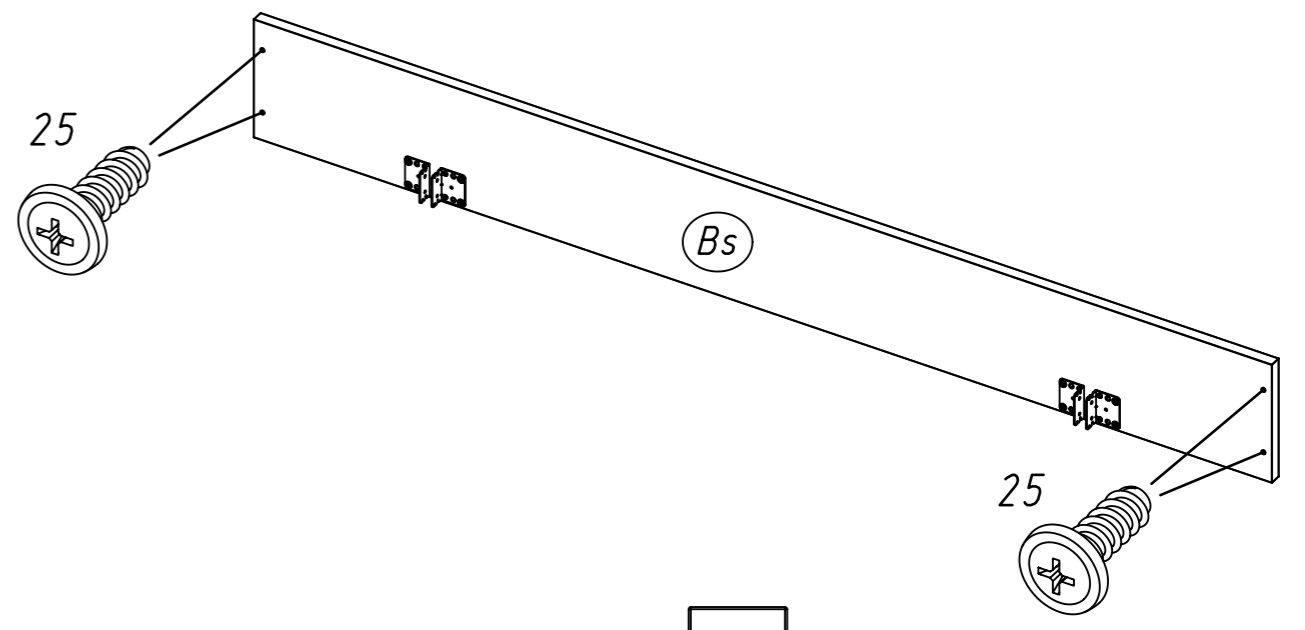
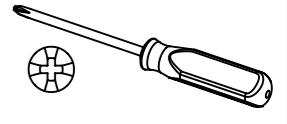
4.

3

8x 25



6,3x18

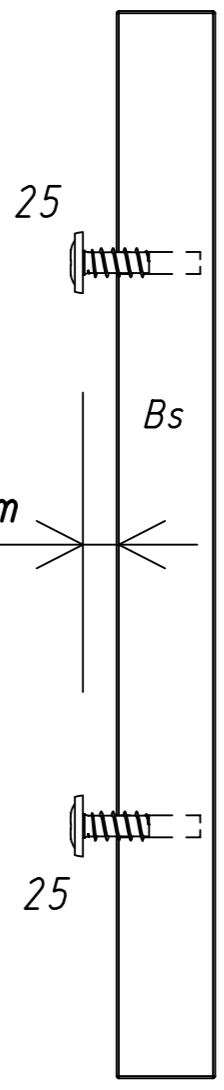


5mm

25

Bs

25

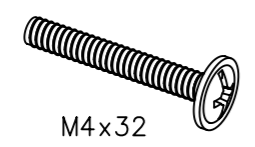


M2385

5.

4

8x 56

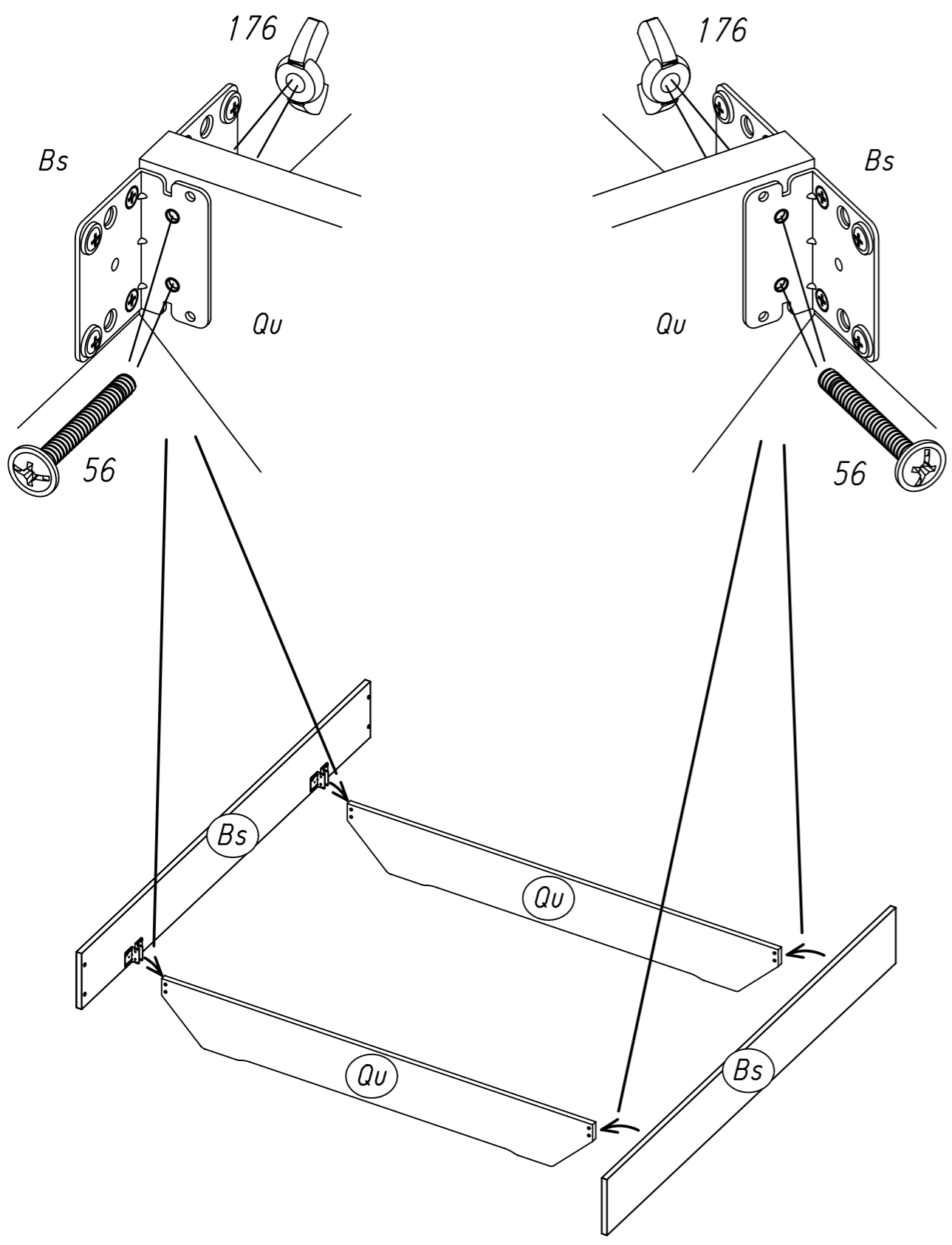
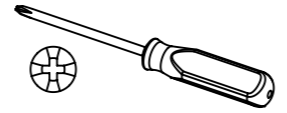


M4x32

8x 176



M4

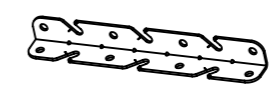


M2385

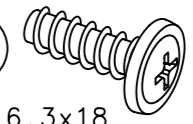
6.

5

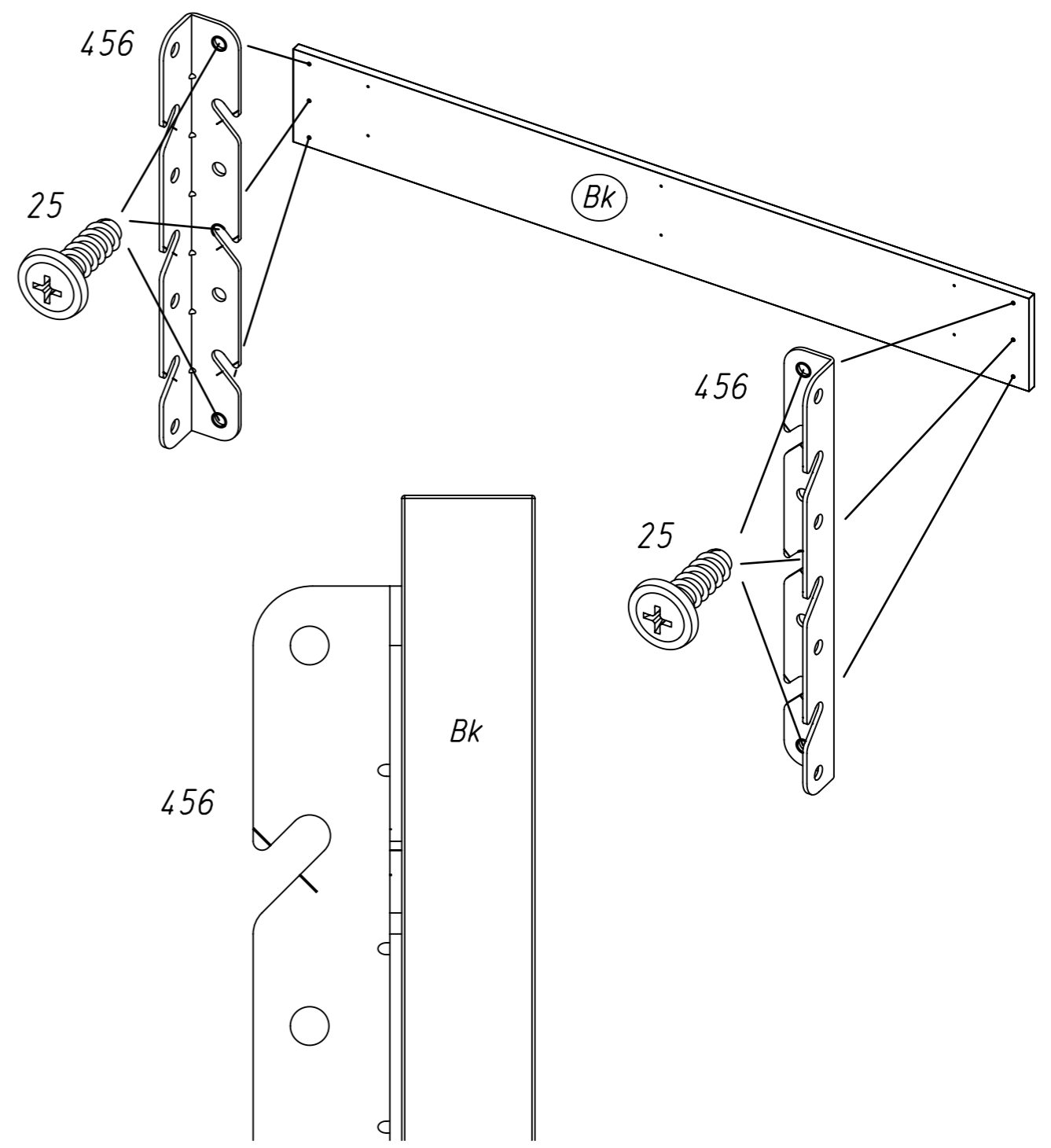
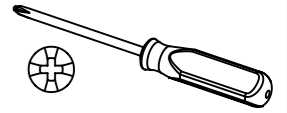
2x 456



6x 25



6,3x18



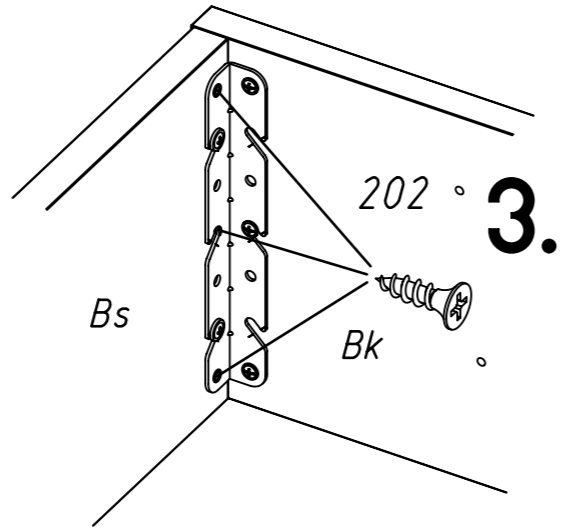
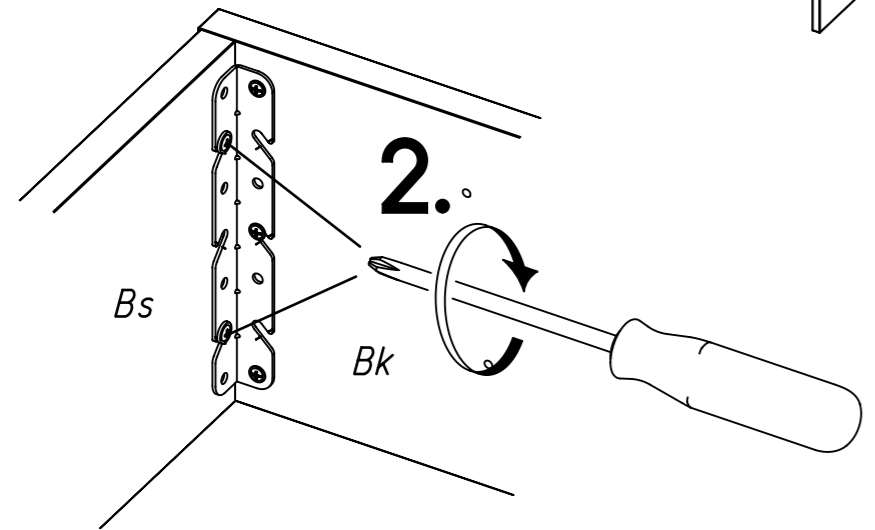
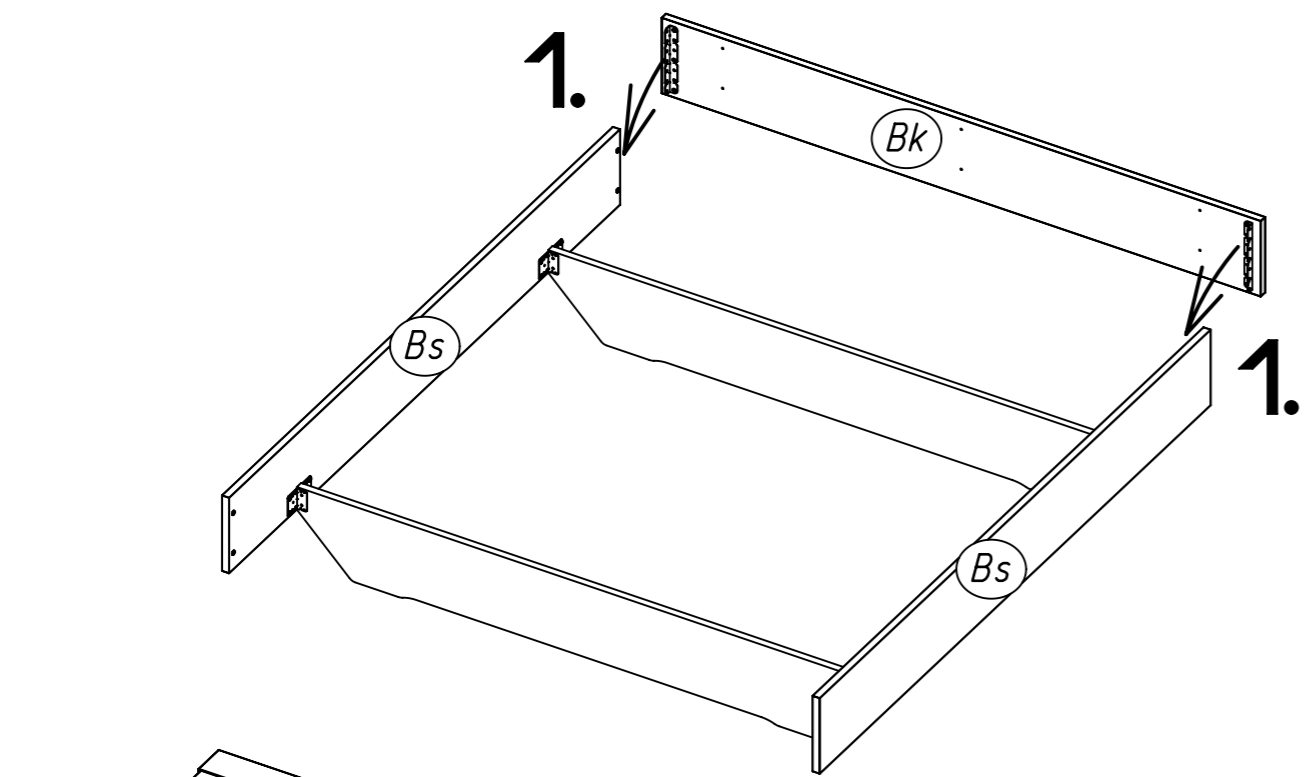
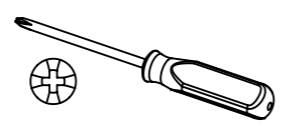
M2385

6

6x 202

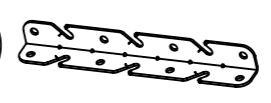


4.5x16

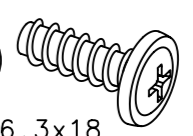


7

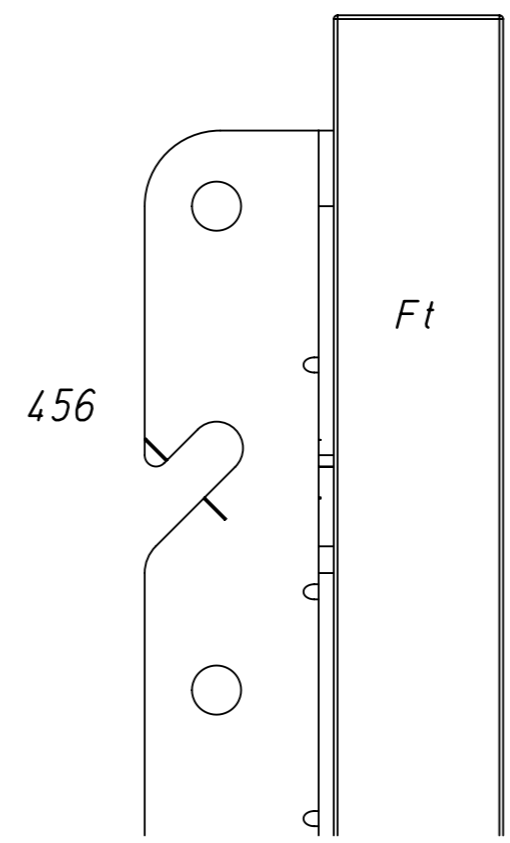
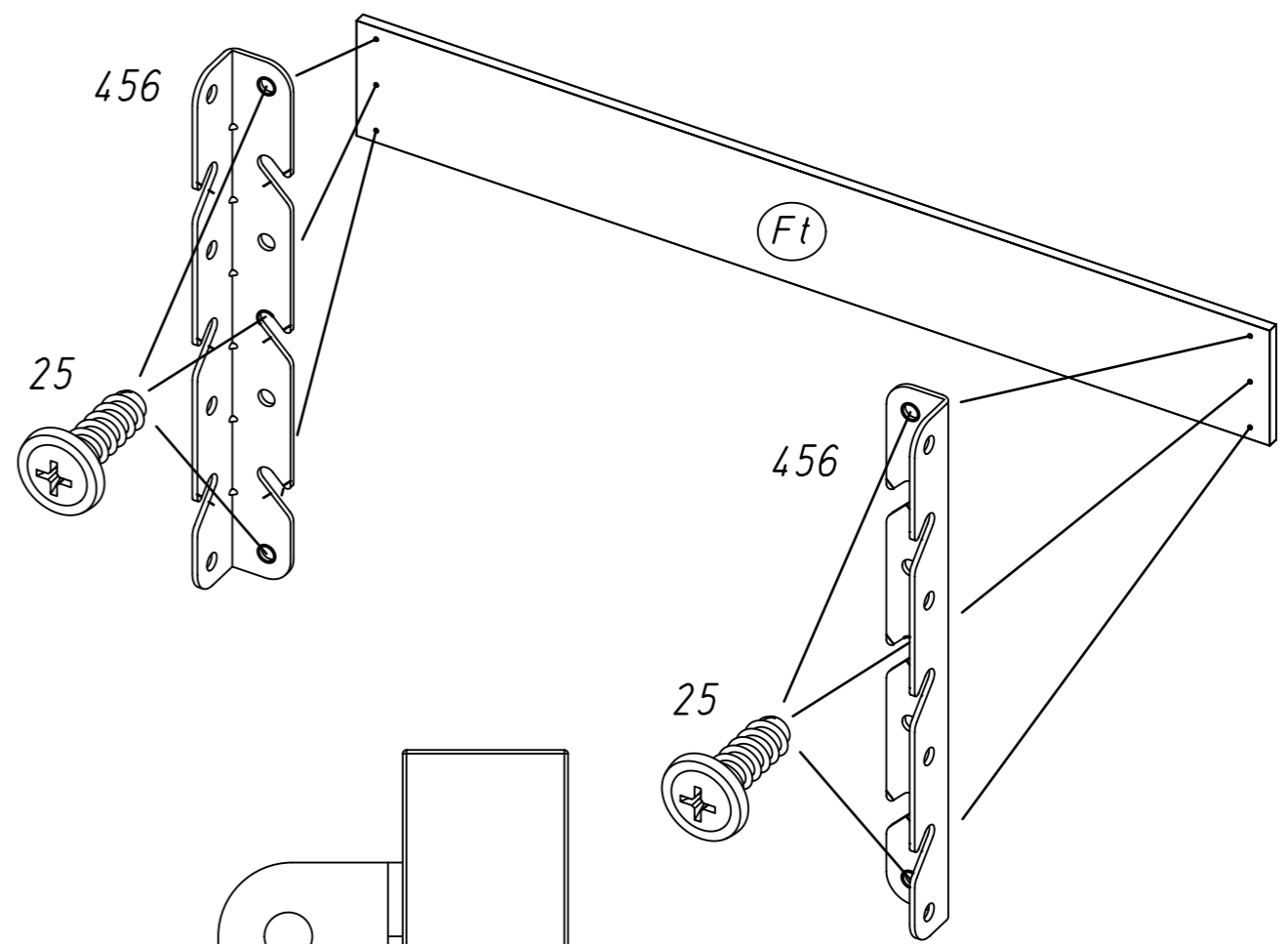
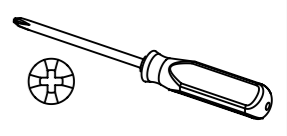
2x 456



6x 25



6,3x18

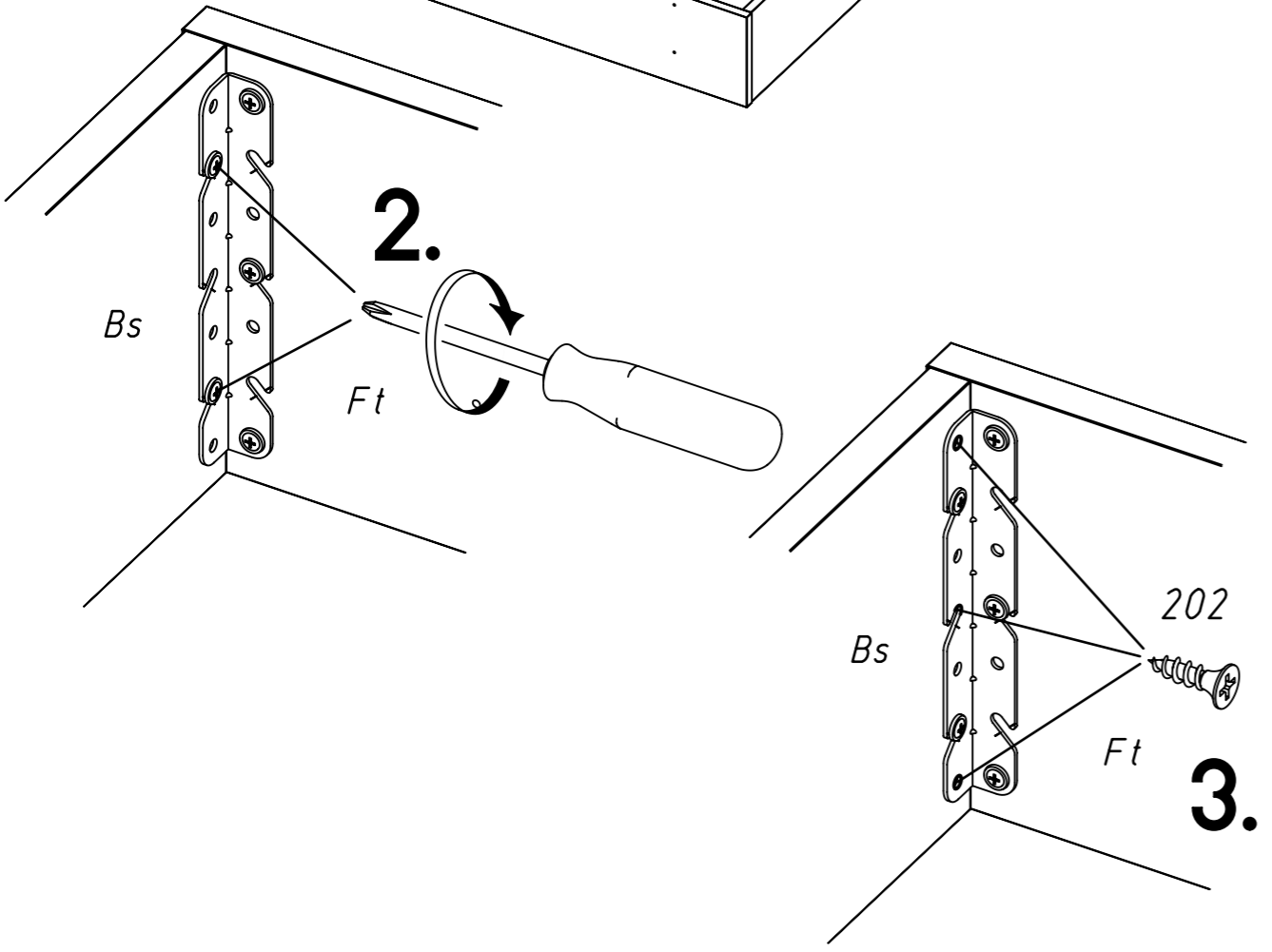
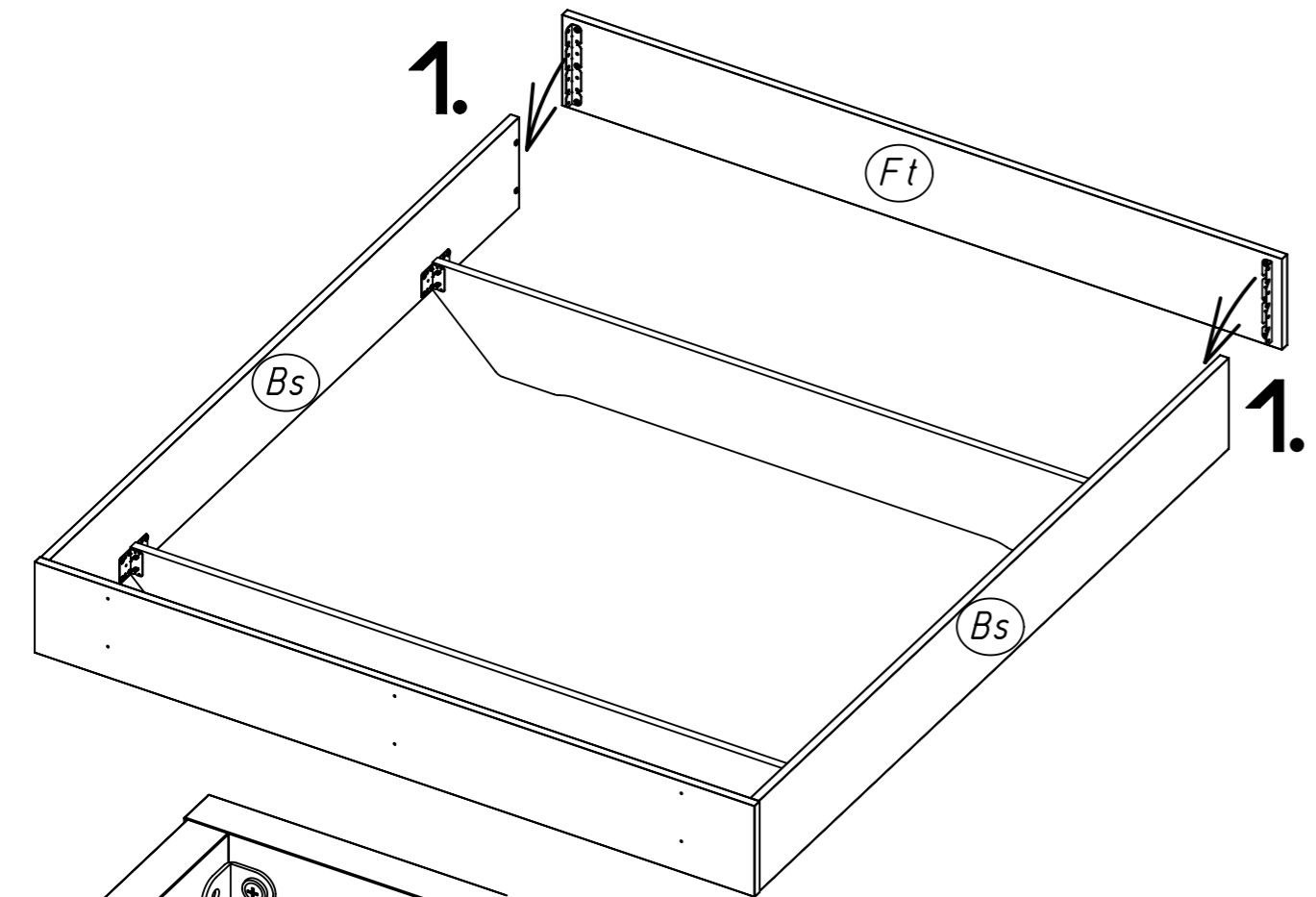
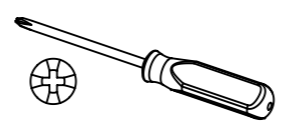


8

6x 202



4.5x16



9

