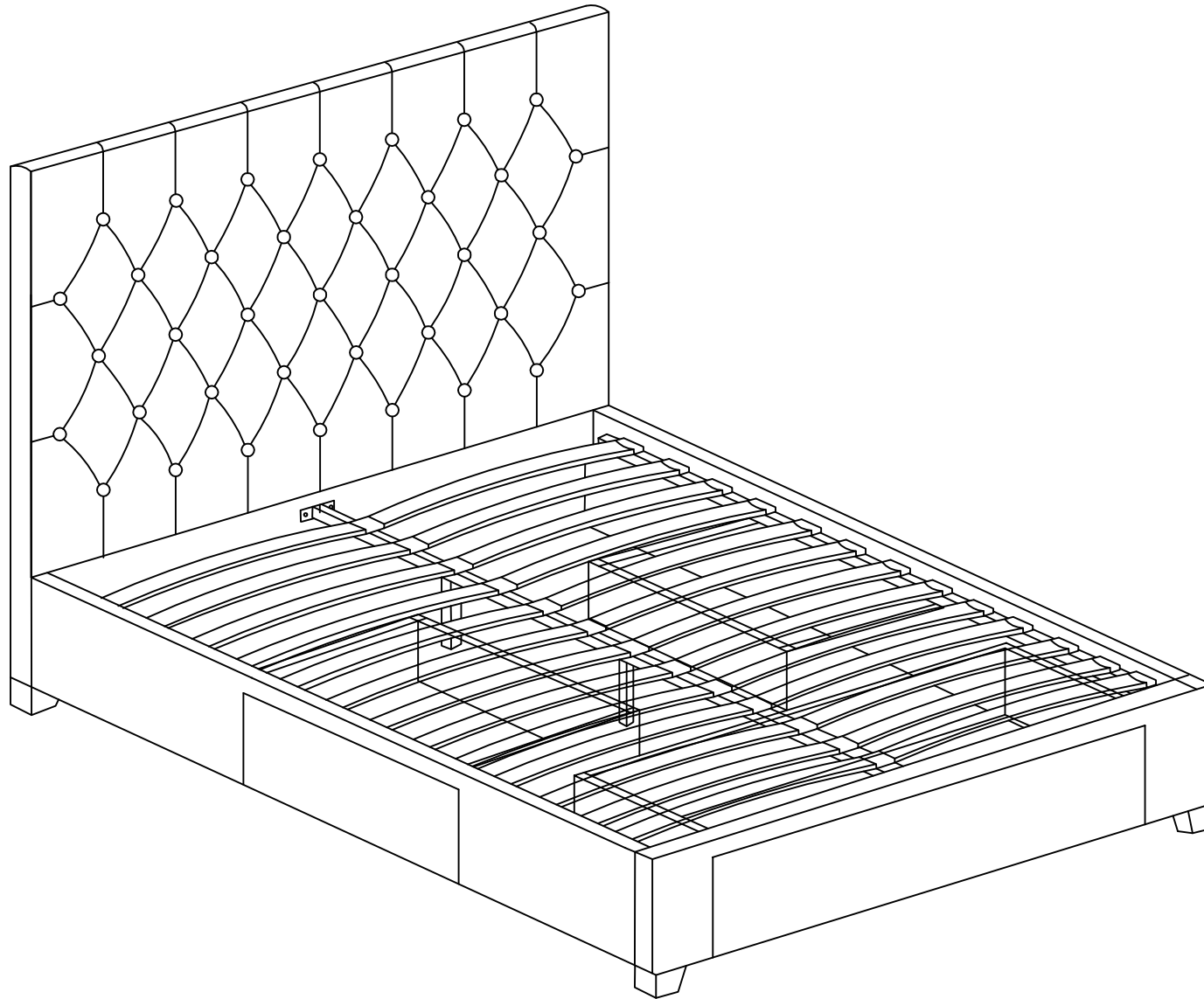
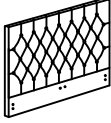

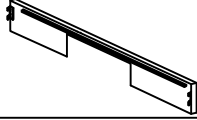




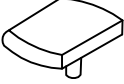

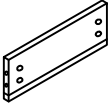
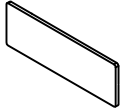
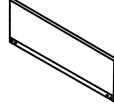
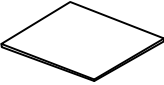

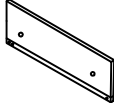


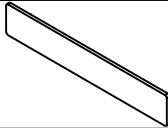
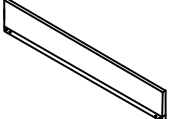
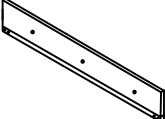
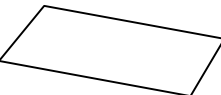


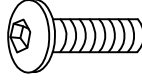
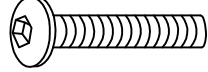
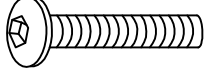



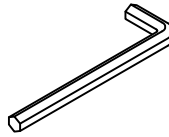
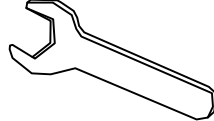



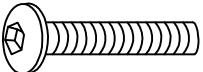

Assembly Instruction 89536-4

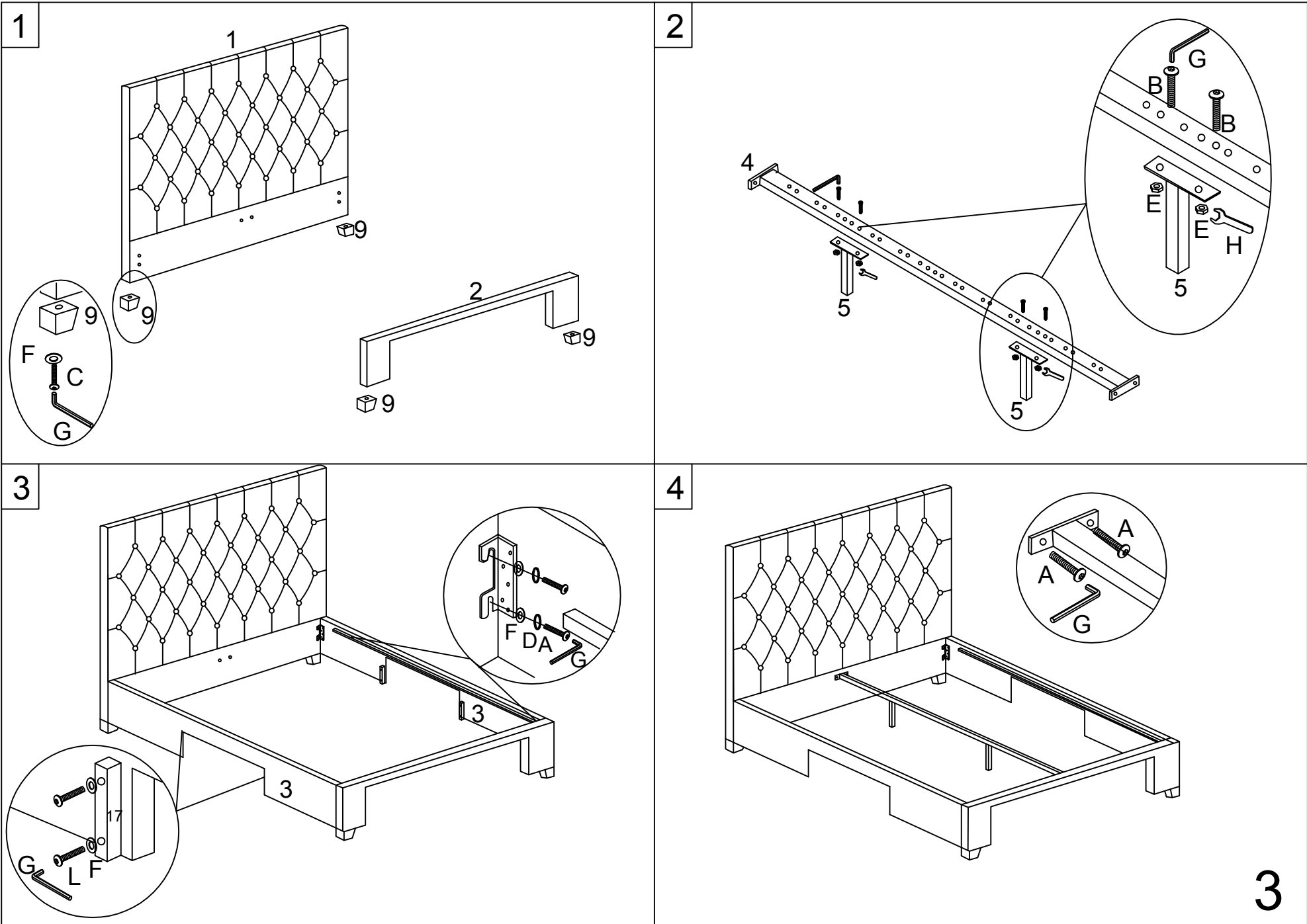


PART LIST

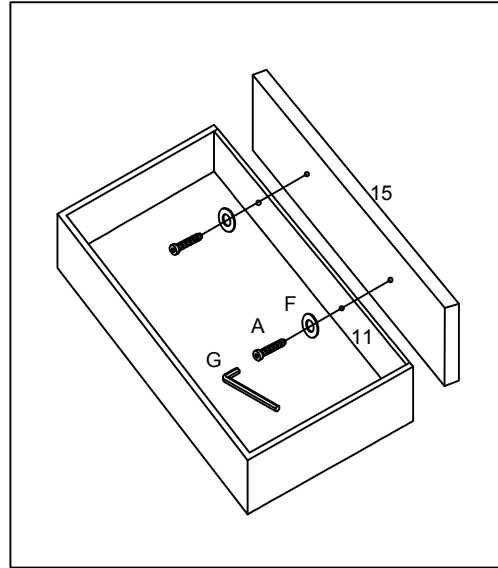
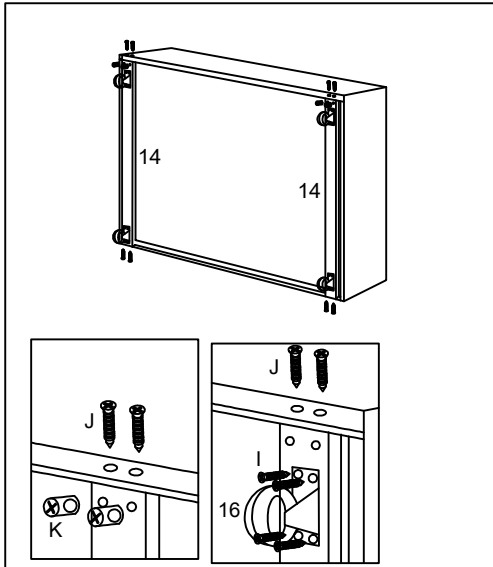
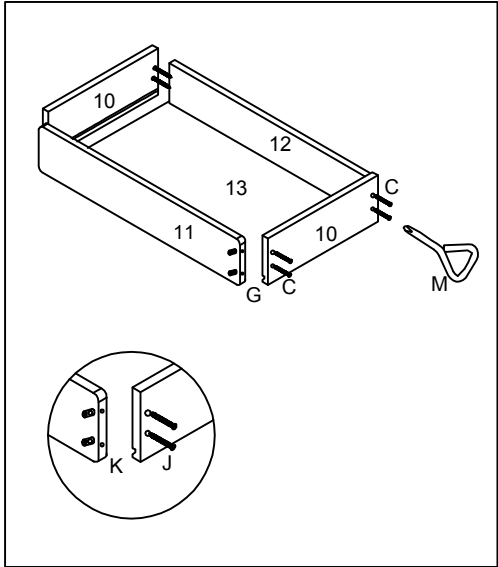
1.Headboard 1pc 	2.Footboard 1pc 	3.Side Rail*2pcs 
4.Metal Bar 1pc 	5.Support Leg *2pcs 	6.Slats*26pcs 
7.Single Plastic Cap*26pcs 	8.Double Plastic Cap*13pcs 	9.Leg*4pcs 
10. PANEL X6 	11.FRONT-PANEL X2 	12.PANEL X2 
13.BOTTOM X2 	14.BOTTOM SUPPORT X8 	15.PANEL X2 
16.WHEEL X14 	17. X4 	18. PANEL X1 
19. PANEL X1 	20.FRONT-PANEL X1 	21. BOTTOM X1 

HARDWARE LIST

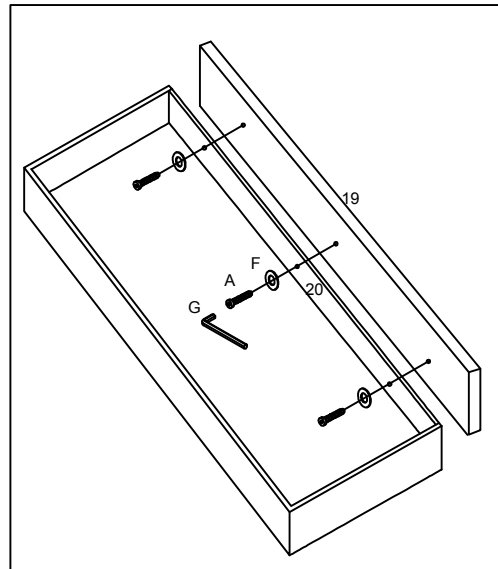
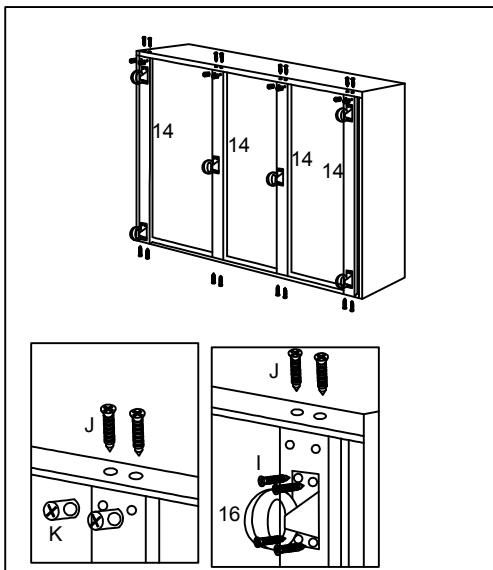
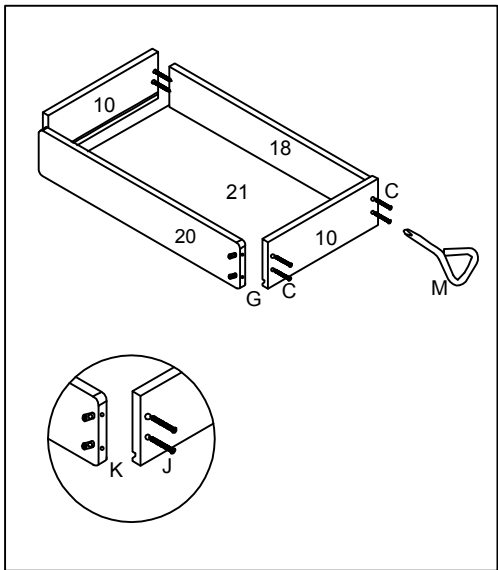
(A)Bolt M8*30mm*19pcs 	(B)Bolt M8*35mm*4pcs 	(C)Bolt M8*50mm*4pcs 
(D)Spring Washer*8pcs 	(E)Nut M8*4pcs 	(F)Flat Washer *27pcs 
(G)Allen Key M5*1pc 	(H)Spanner *1pc 	(I)TAPPING SCREW X56 M4*13mm 
(J)TAPPING SCREW X56 M4*40mm 	(K) *56pcs 	(L)Bolt M8*45mm*8pcs 
(M) X1 		



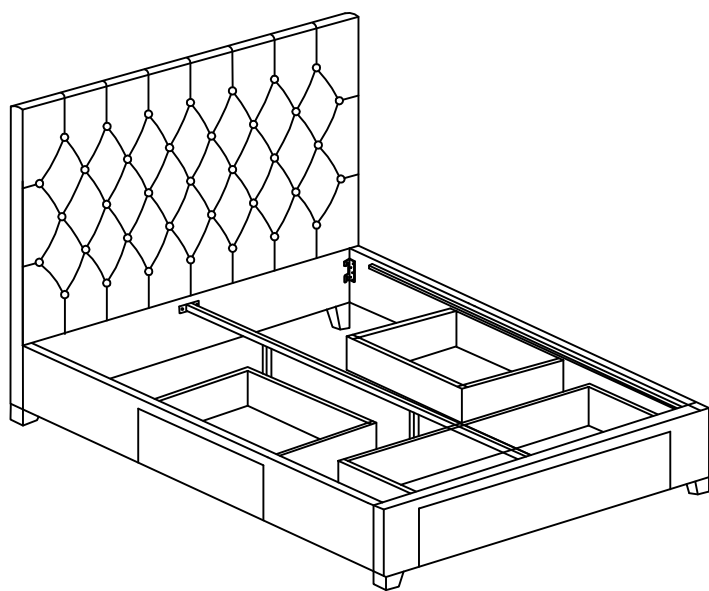
5



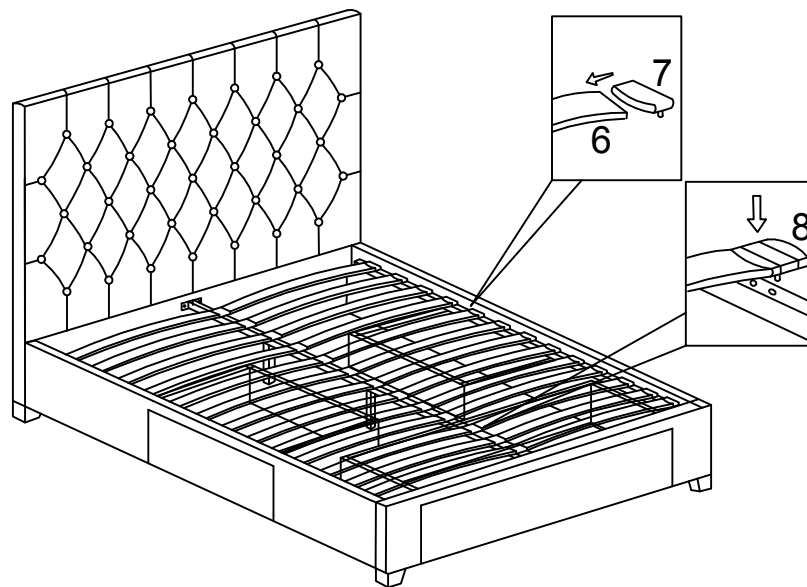
6



7



8



5