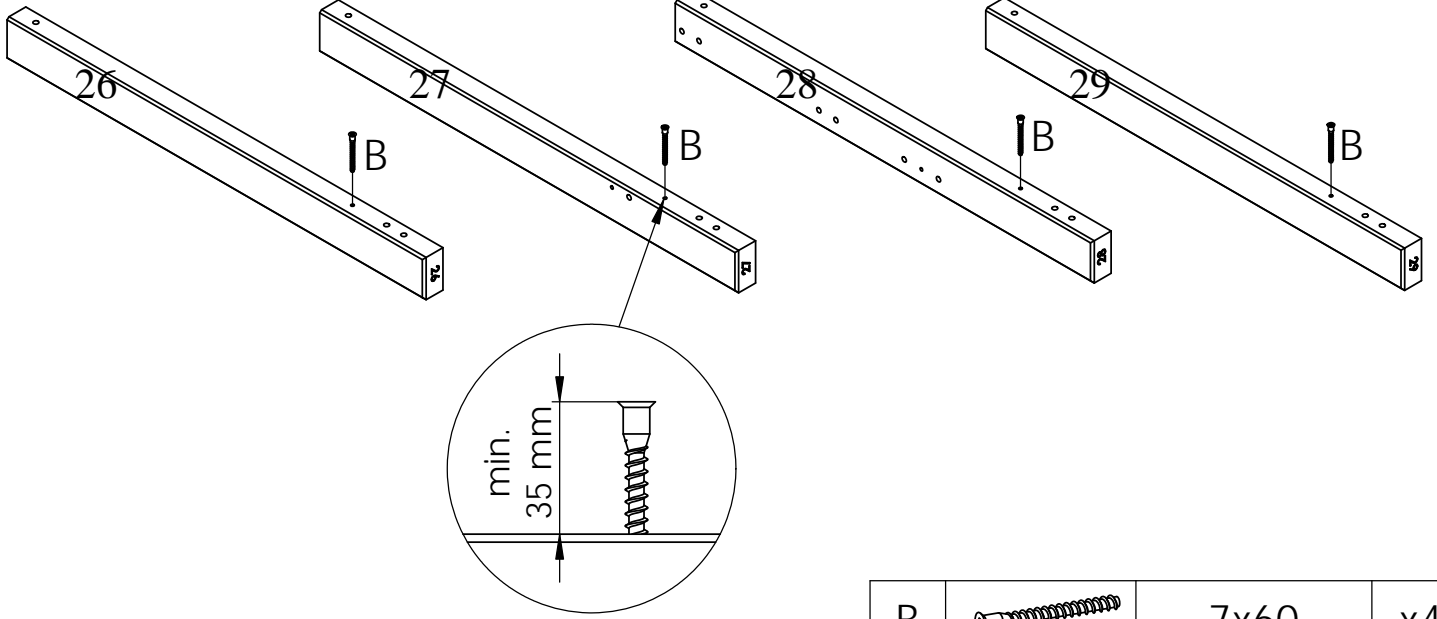
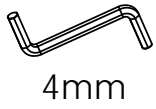


A		8x40	x48
B		7x60	x6
C		D35	x6
D		M6x55	x2
E		M6x10x13	x2
F		6,1x24x35	x4
G		D12x10	x4
H		5x50	x4
K		4x20	x24

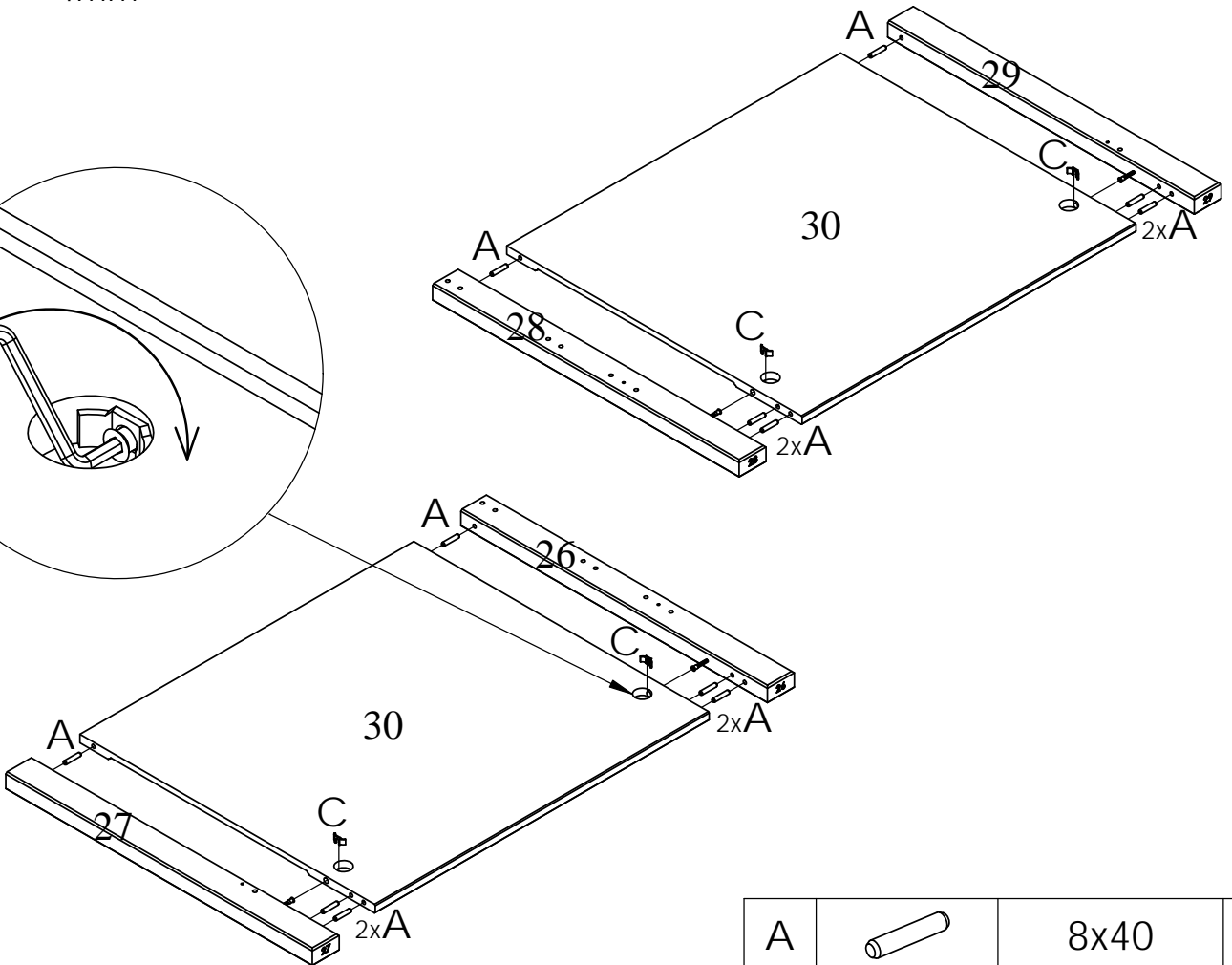
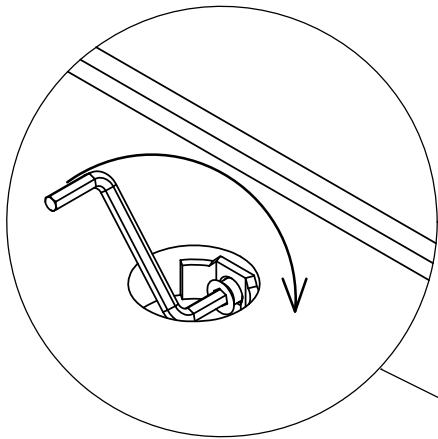
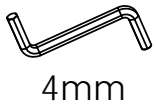
M		3,5x35	x31
N		D15x3	x2
P		D25x4	x4
R		D15x18	x2
S		60x50x4	x2
T		102x30x6	x2
U			x1
V		4mm	x1

①



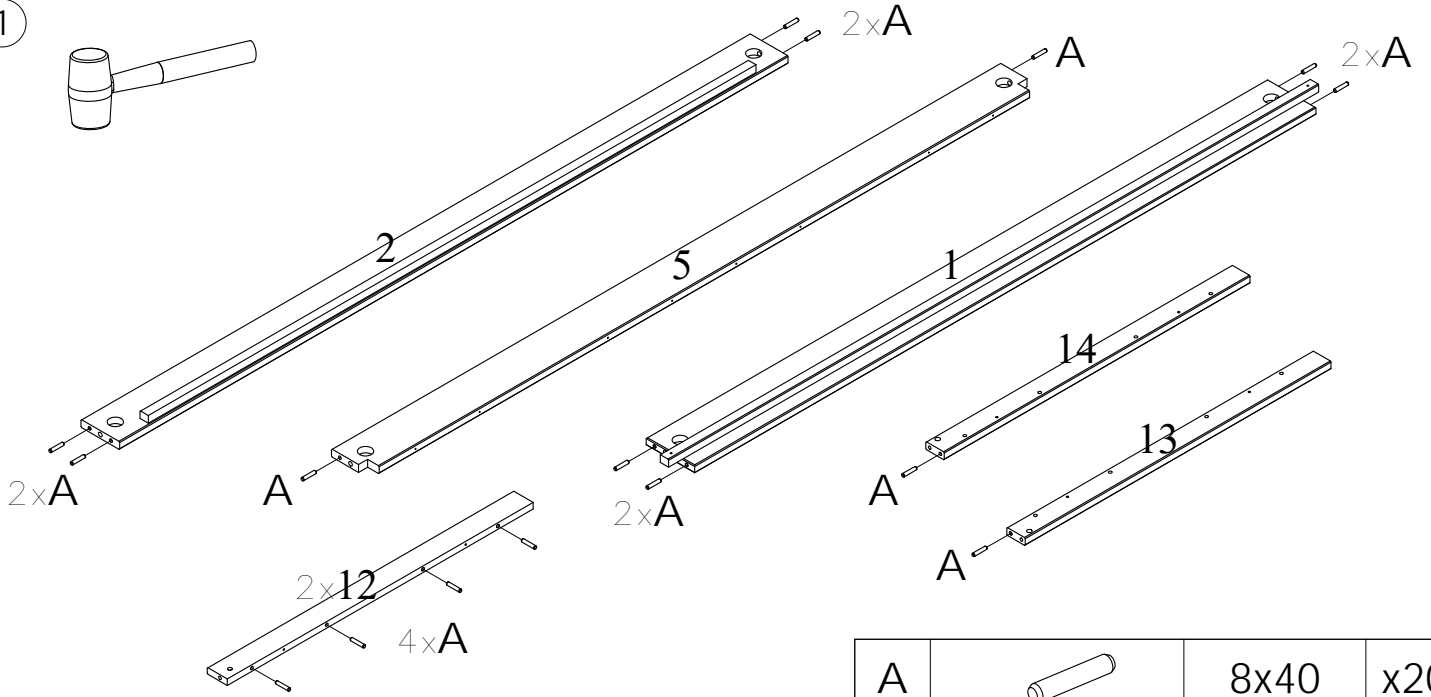
B		7x60	x4
---	--	------	----

②

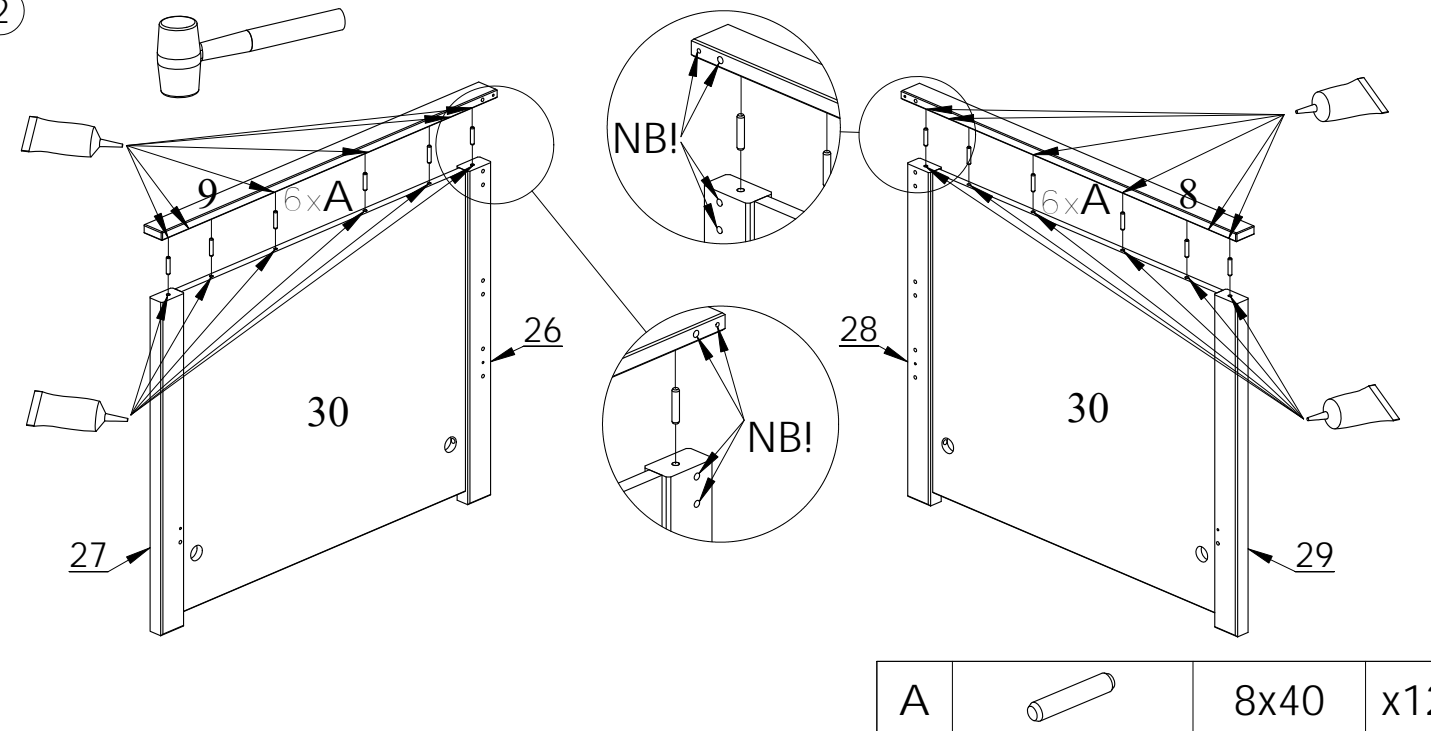


A		8x40	x12
C		D35	x4

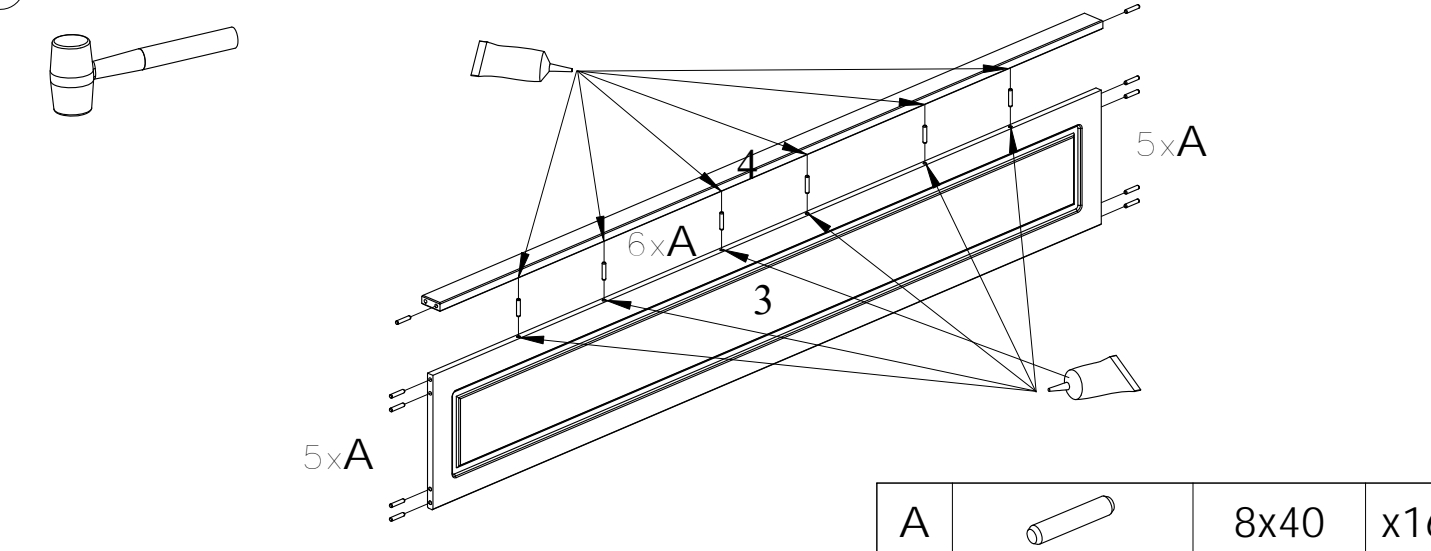
①



②



③



④

4mm

min. 35 mm

B

10

11

B		7x60	x2
---	--	------	----

⑤

4mm

10

11

C

C		D35	x2
---	--	-----	----

⑥

M

F

OK!

F

M

F

M		3,5x35	x2
F		6,1x24x35	x2

⑦

H

13

12

H

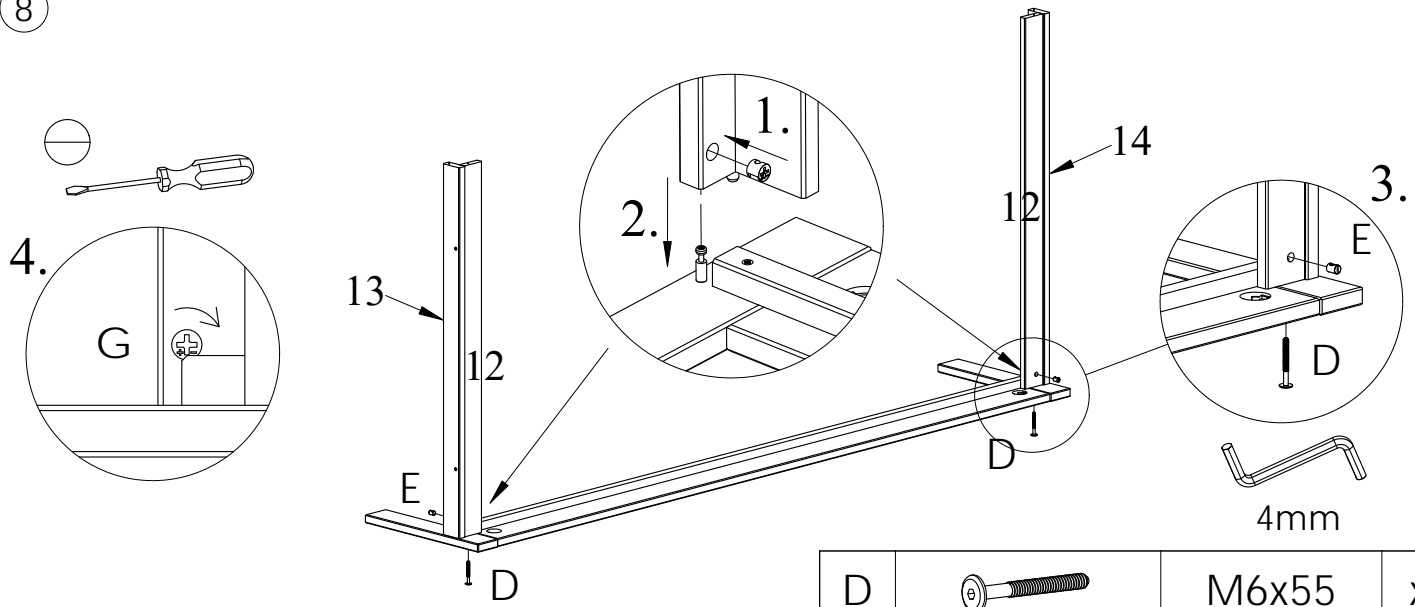
14

12

H

H		5x50	x4
---	--	------	----

8

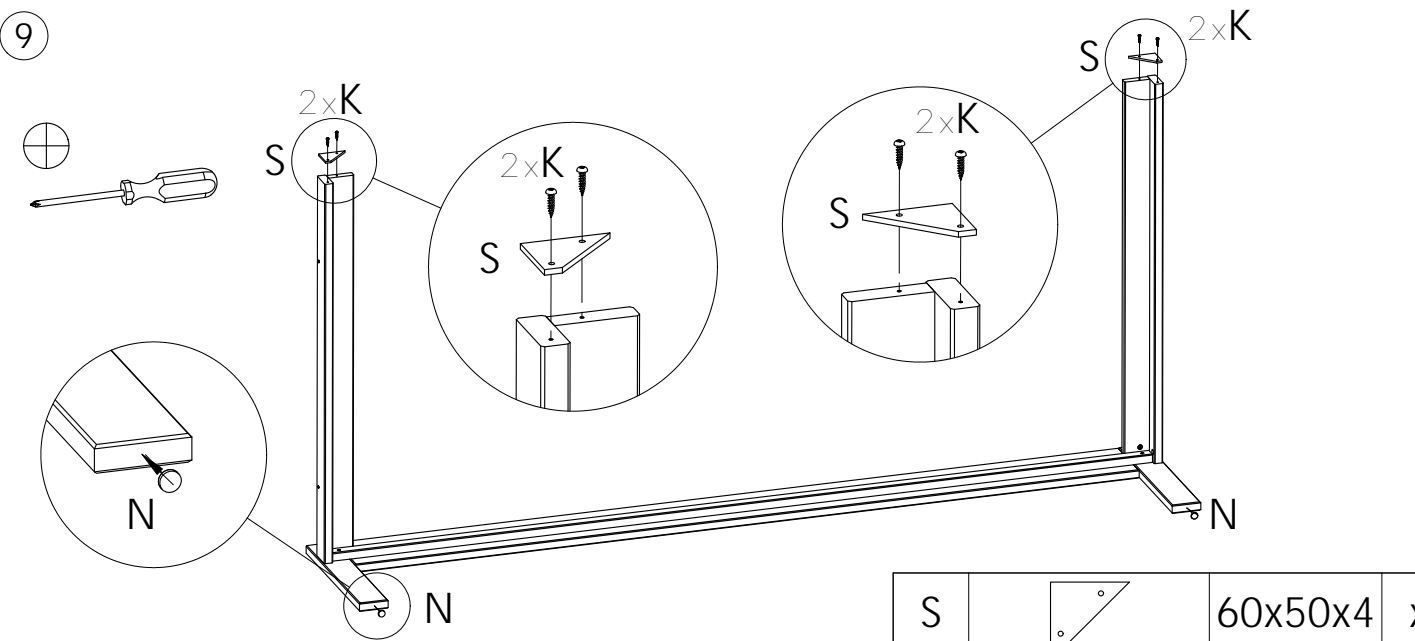


D		M6x55	x2
E		M6x10x13	x2

G		D12x10	x2
---	--	--------	----

--	--	--	--

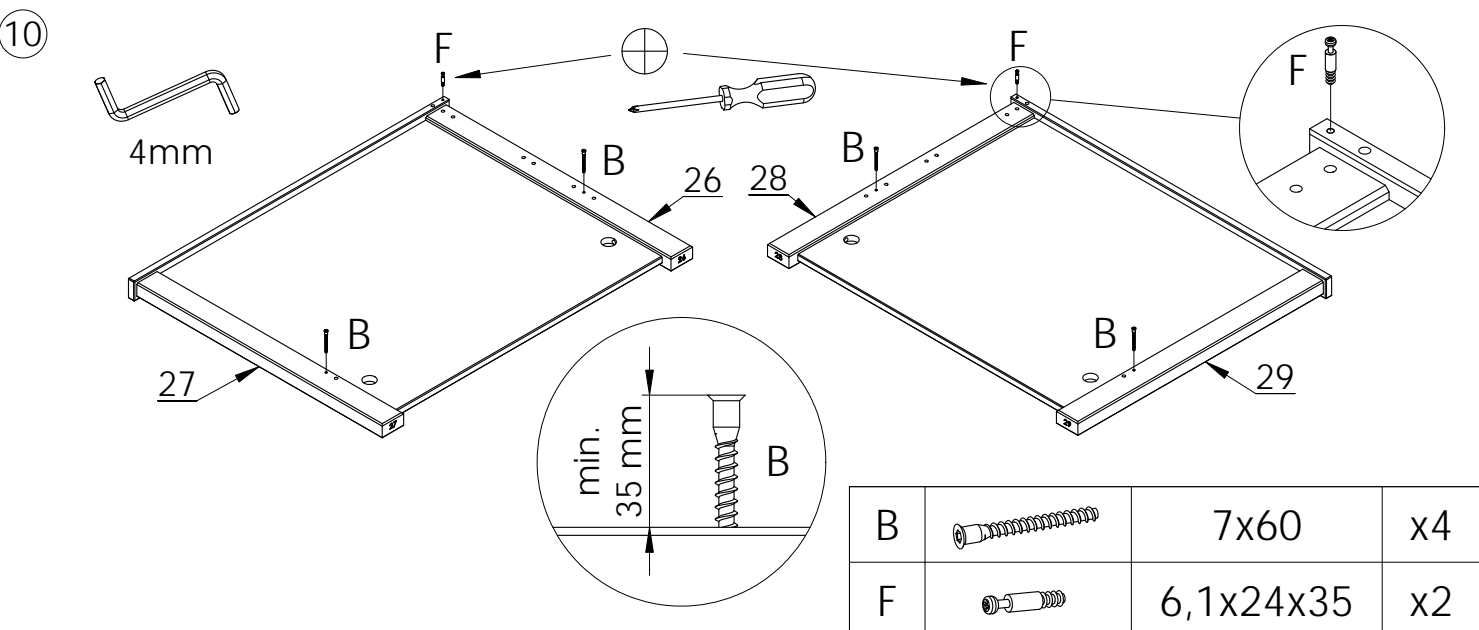
9



S		60x50x4	x2
K		4x20	x4

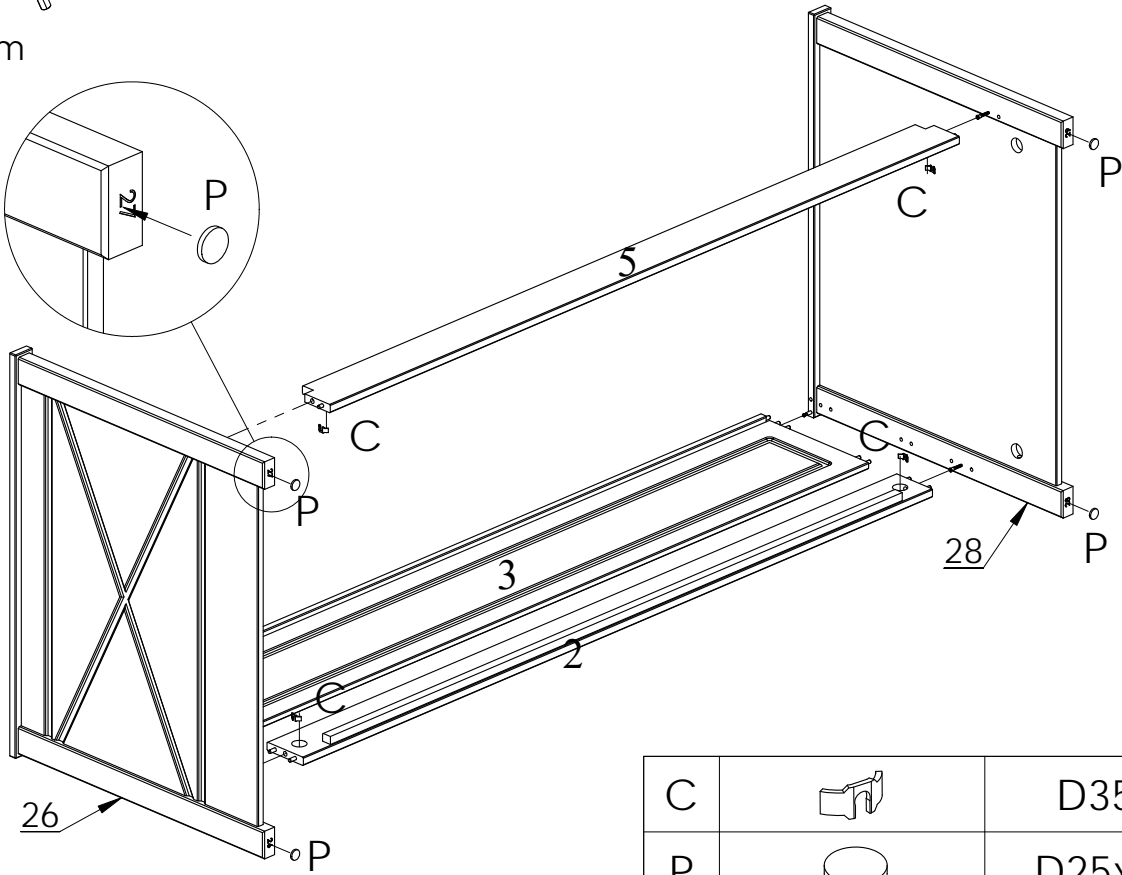
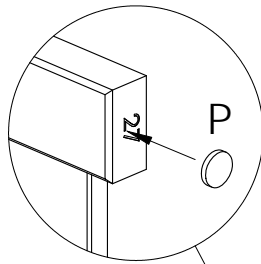
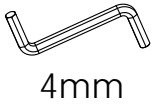
N		D15x3	x2
---	--	-------	----

10



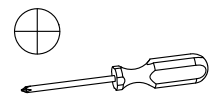
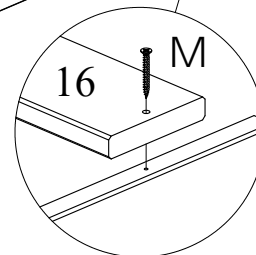
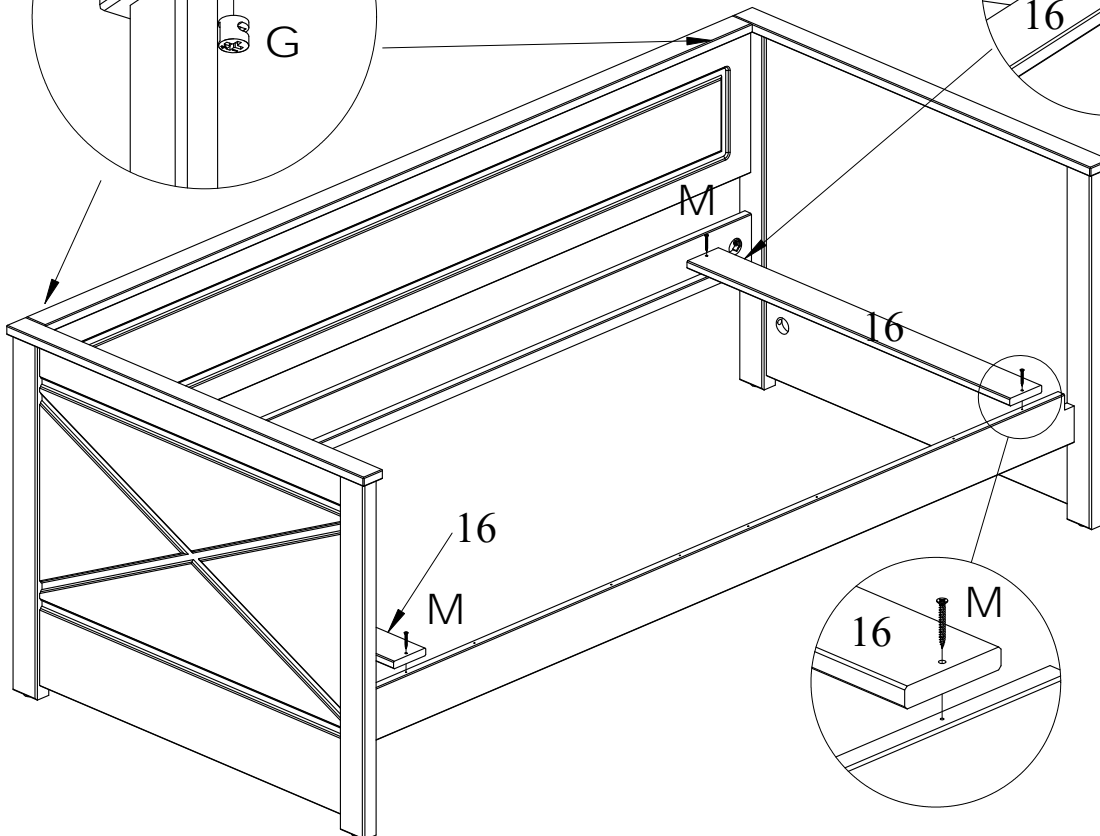
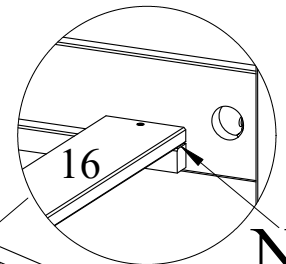
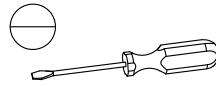
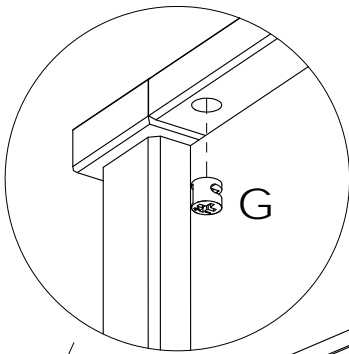
B		7x60	x4
F		6,1x24x35	x2

11



C		D35	x4
P		D25x4	x4

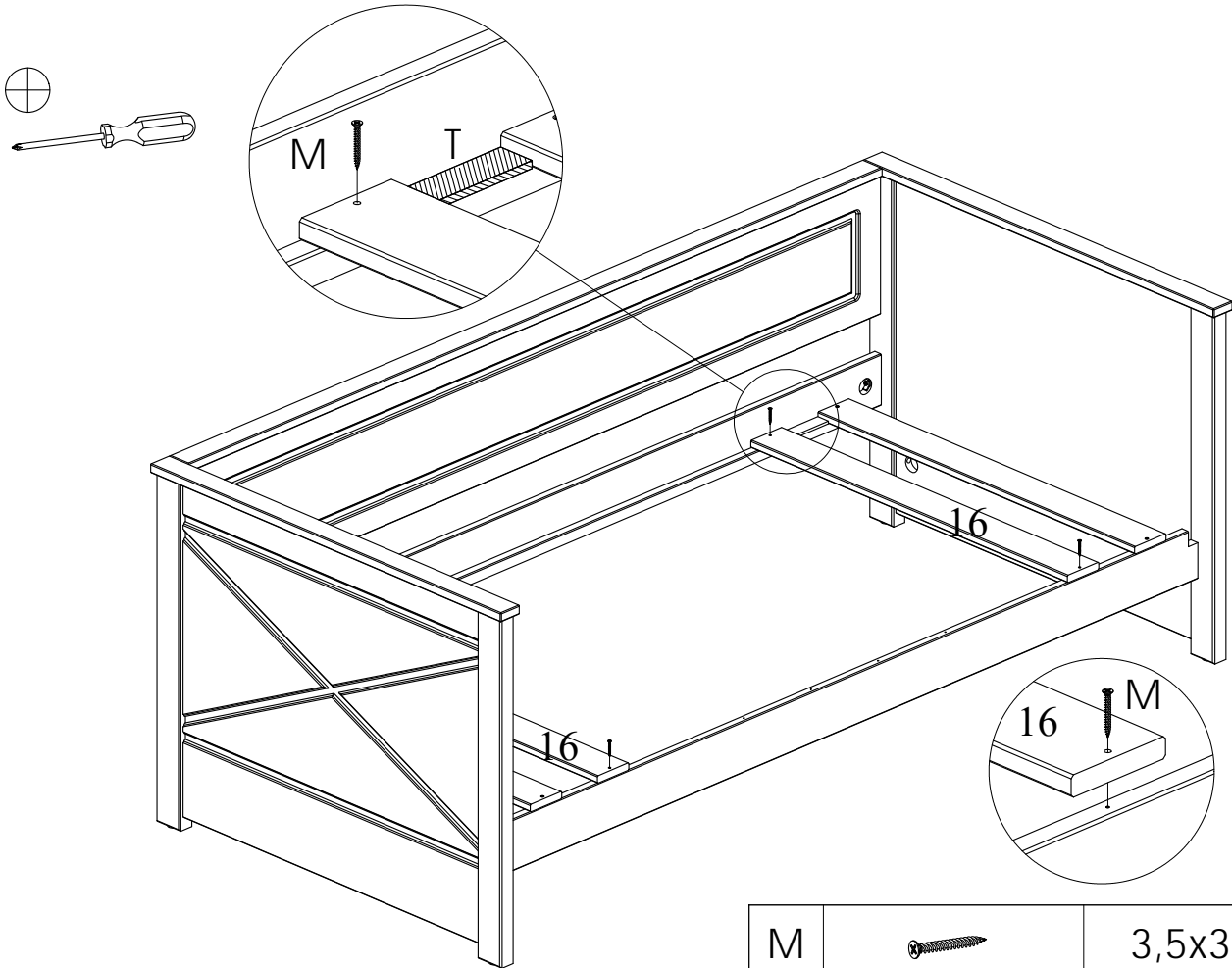
12





G		D12x10	x2
---	--	--------	----

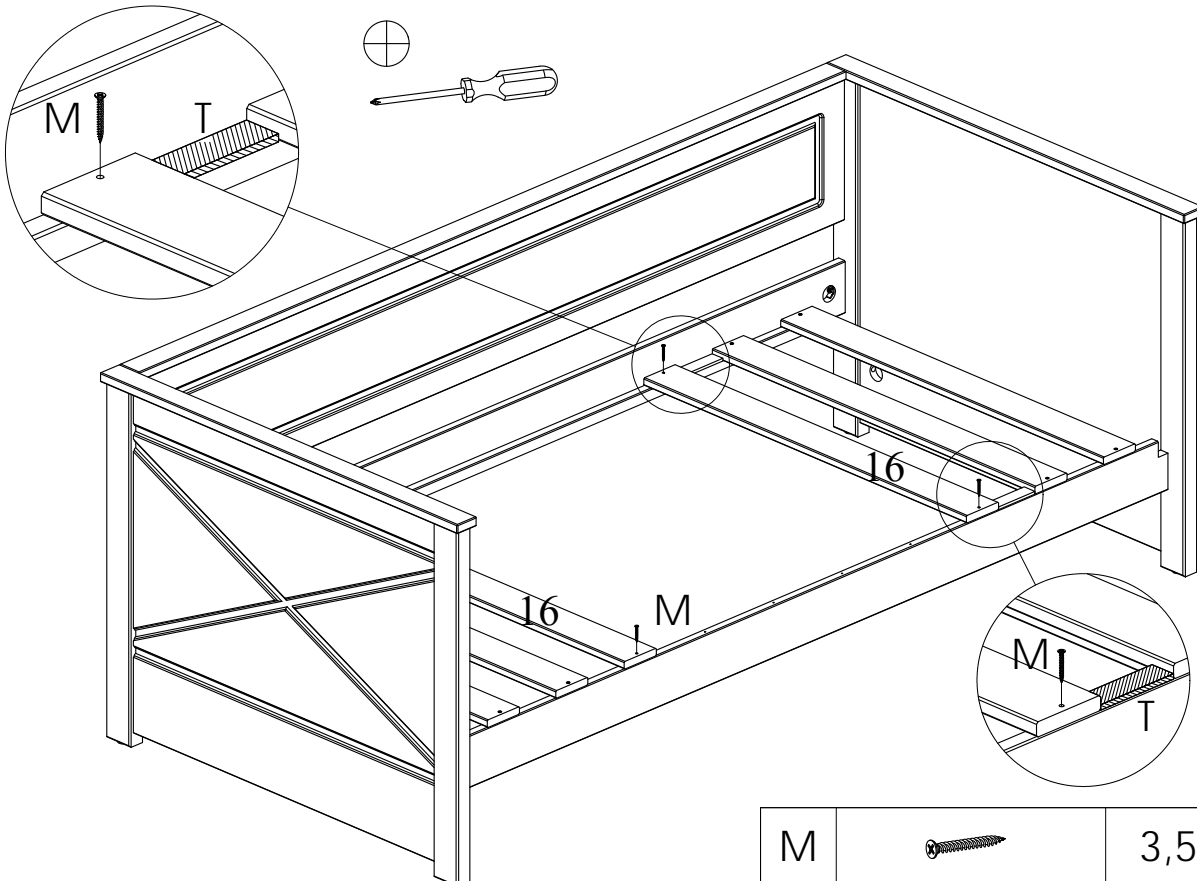
M		3,5x40	x4
---	--	--------	----



13



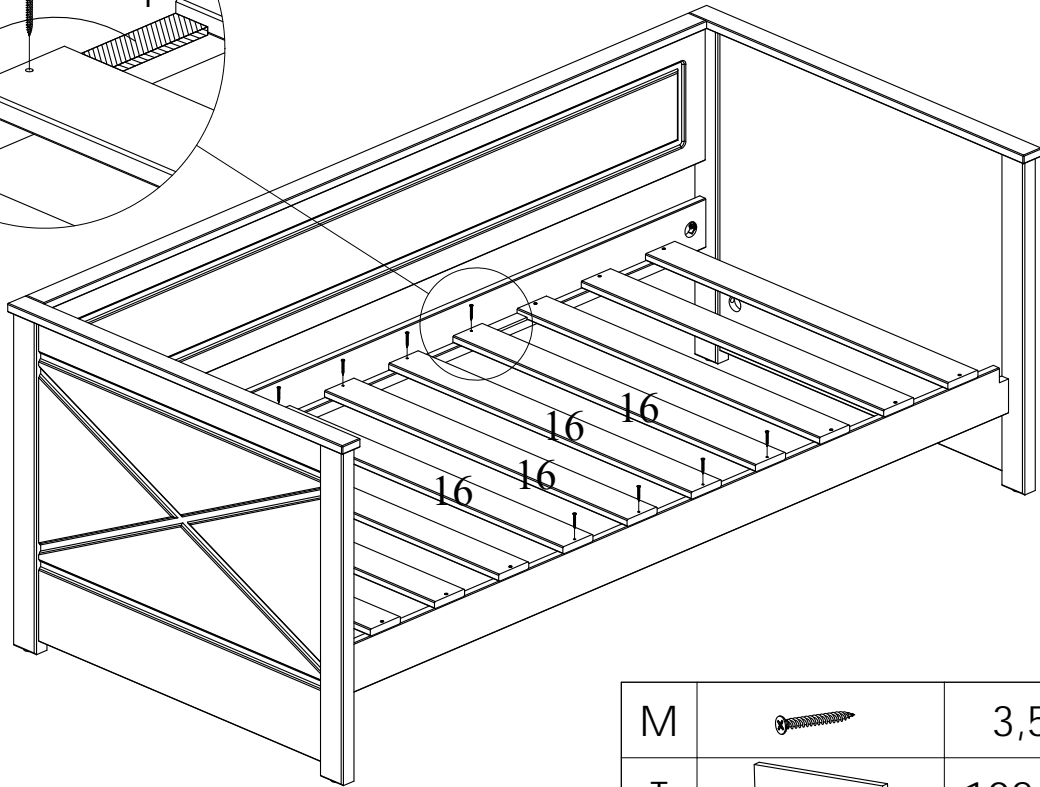
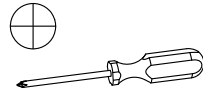
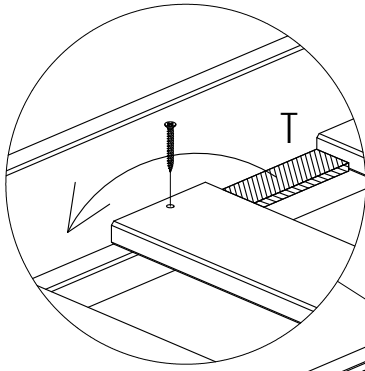
M		3,5x35	x4
T		102x30x6	x1



14



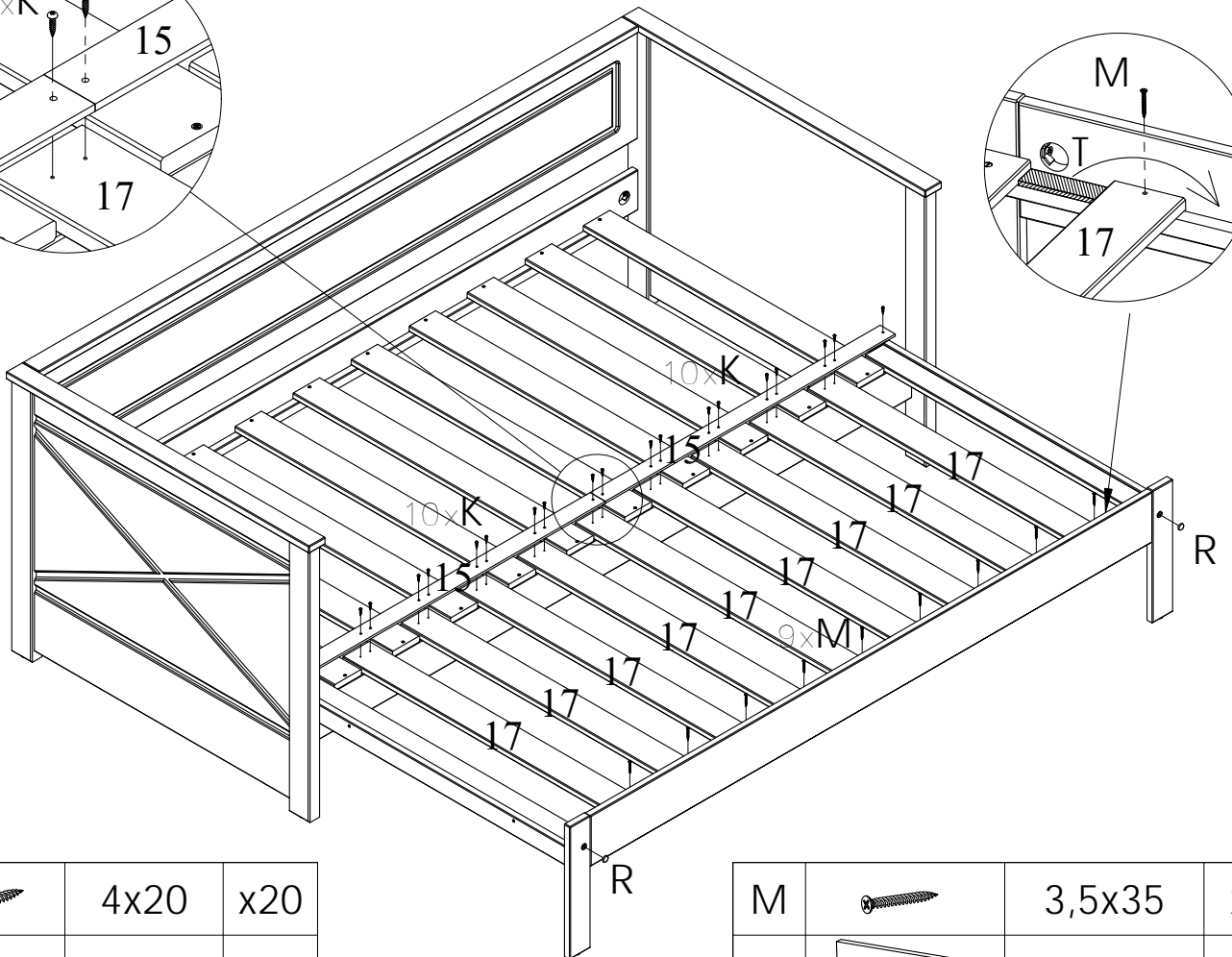
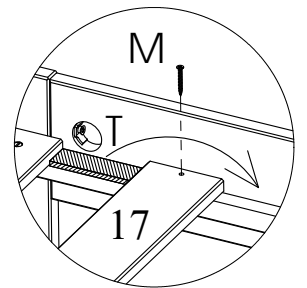
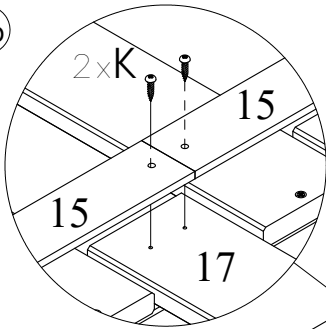
M		3,5x35	x4
T		102x30x6	x2



15





M		3,5x35	x8
T		102x30x6	x1

16



K		4x20	x20
R		D15x18	x2

M		3,5x35	x9
T		102x30x6	x1