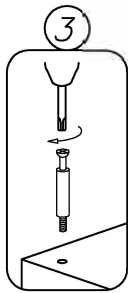
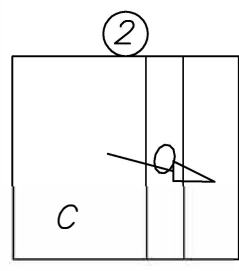
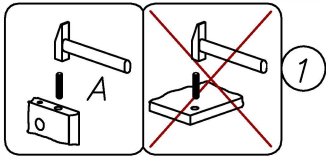
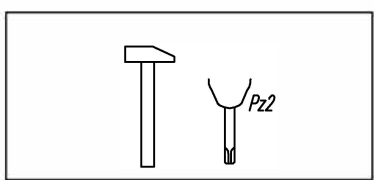
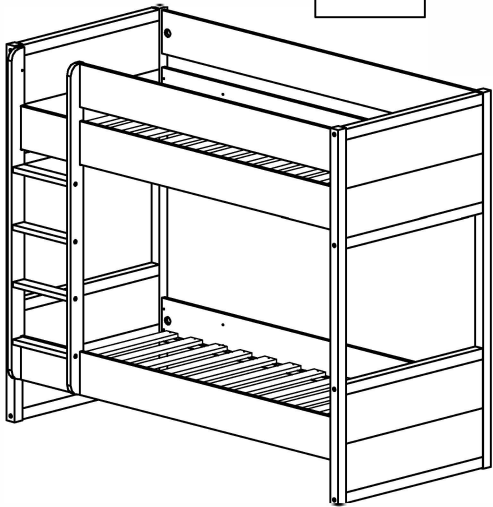
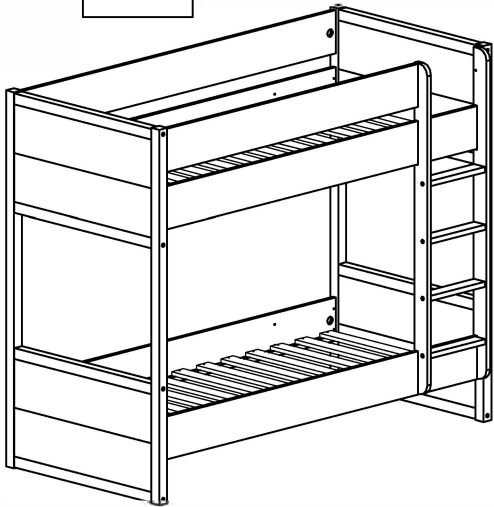


R

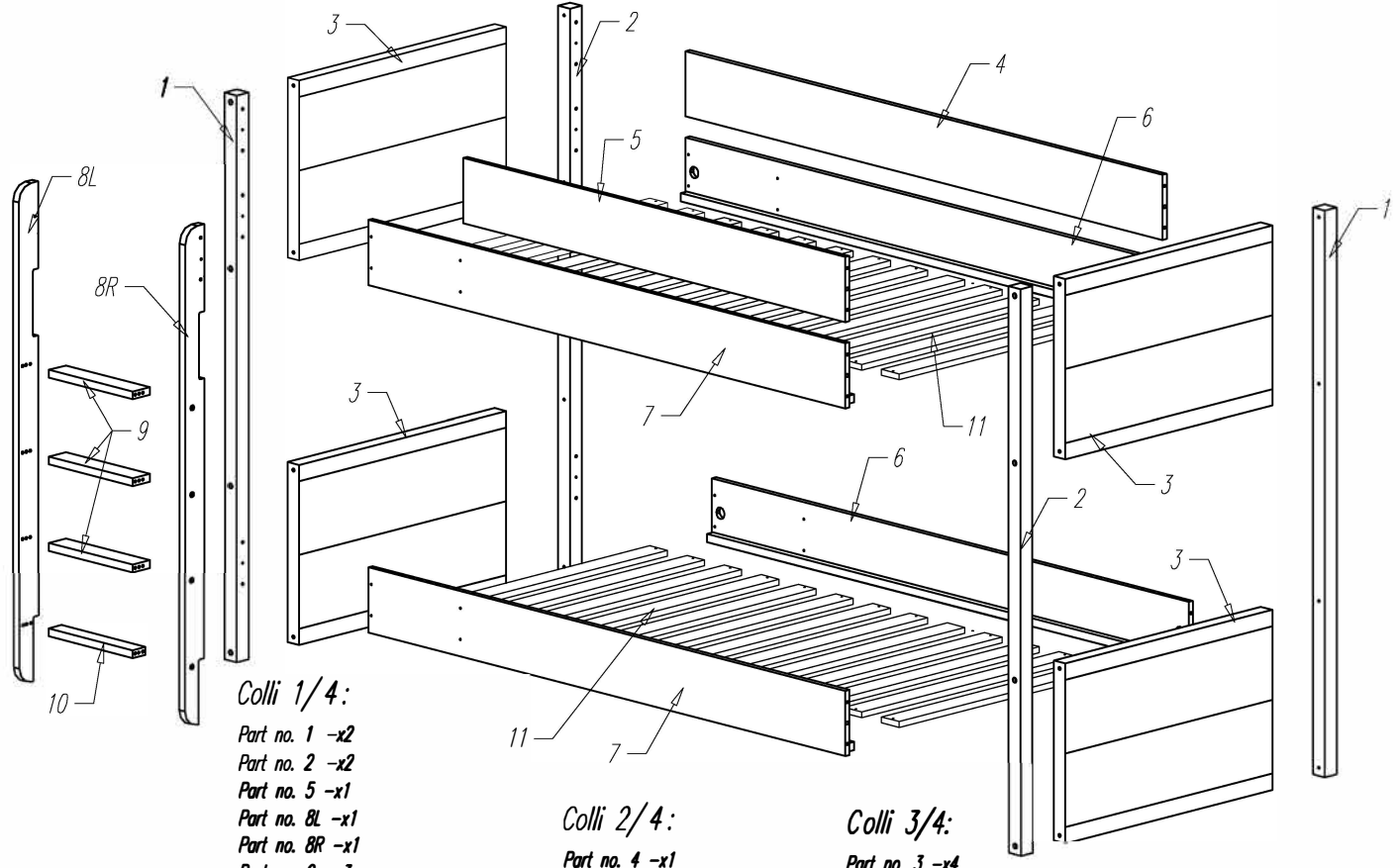


L



LARA-BUNKBED

- |                              |  |                     |                              |                    |   |   |                                 |                    |                      |                      |
|------------------------------|--|---------------------|------------------------------|--------------------|---|---|---------------------------------|--------------------|----------------------|----------------------|
| <b>A</b><br><br>Ø8x40<br>x40 | <b>B</b><br><br>MAXIFIX<br>wood<br>x11 | <b>C</b><br><br>x11 | <b>D</b><br><br>M6x60<br>x25 | <b>E</b><br><br>x9 | <b>F</b><br><br>konfirmat<br># 7x50<br>x1 | <b>G</b><br><br>konfirmat<br># 7x50<br>x8 | <b>H</b><br><br># 3,5x30<br>x60 | <b>I</b><br><br>x8 | <b>SW4</b><br><br>x1 | <b>SW6</b><br><br>x1 |
|------------------------------|--|---------------------|------------------------------|--------------------|---|---|---------------------------------|--------------------|----------------------|----------------------|



**Colli 1/4:**

- Part no. 1 -x2
- Part no. 2 -x2
- Part no. 5 -x1
- Part no. 8L -x1
- Part no. 8R -x1
- Part no. 9 -x3
- Part no. 10 -x1

**Colli 2/4:**

- Part no. 4 -x1
- Part no. 6 -x2
- Part no. 7 -x2

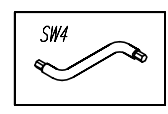
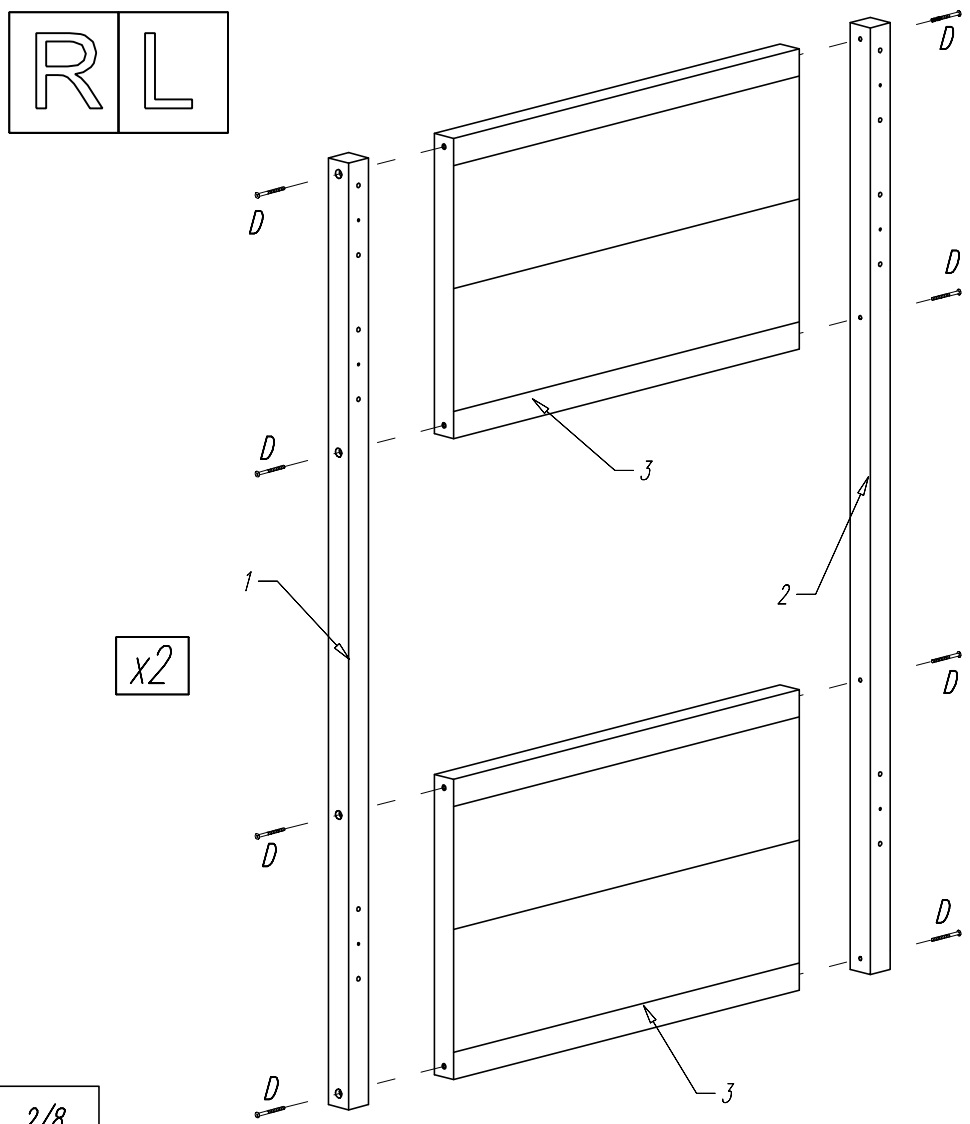
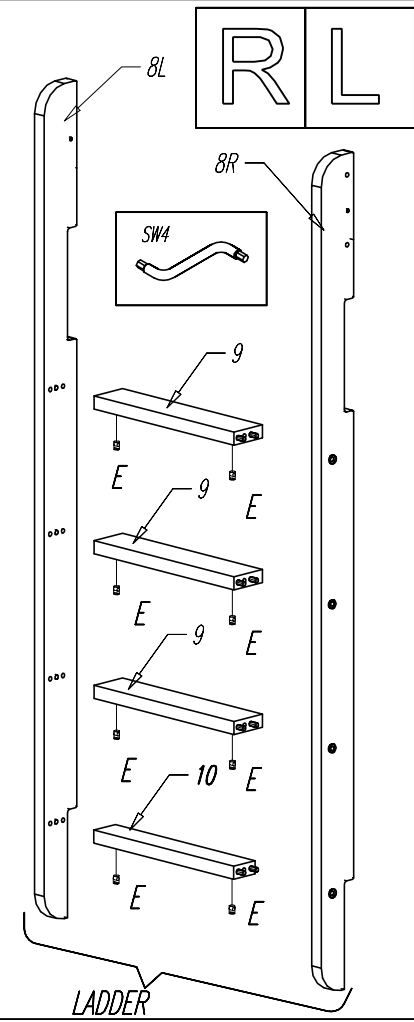
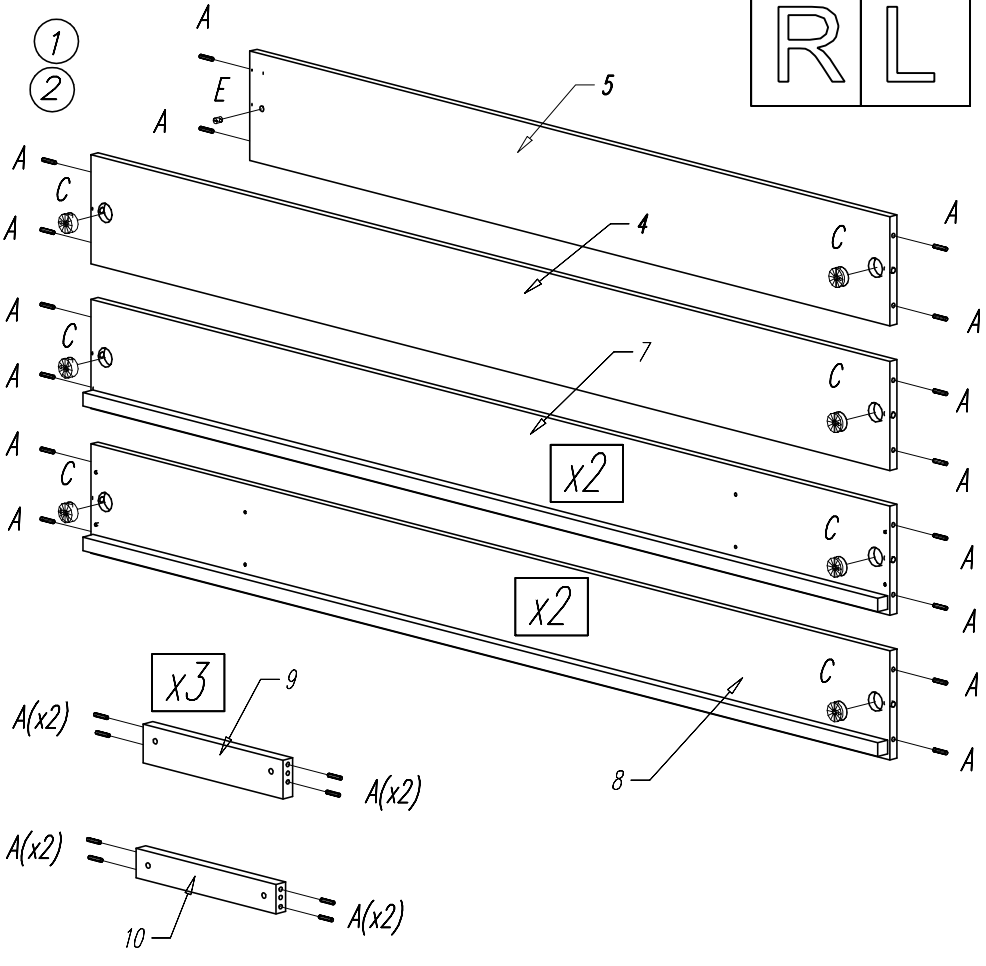
**Colli 3/4:**

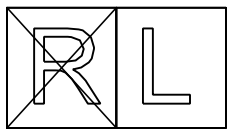
- Part no. 3 -x4

**Colli 4/4:**

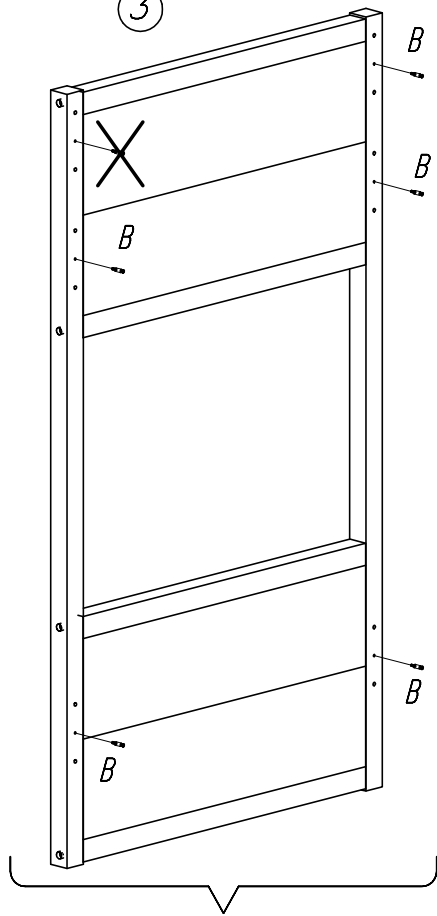
- Part no. 11 -x2

Fittings/Beschläge/Quincaillerie  
Assembly instruction /Instruction/Montage

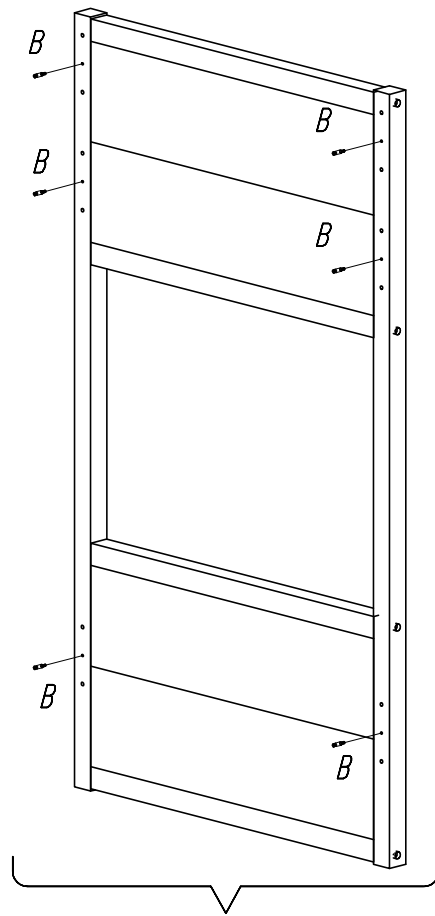




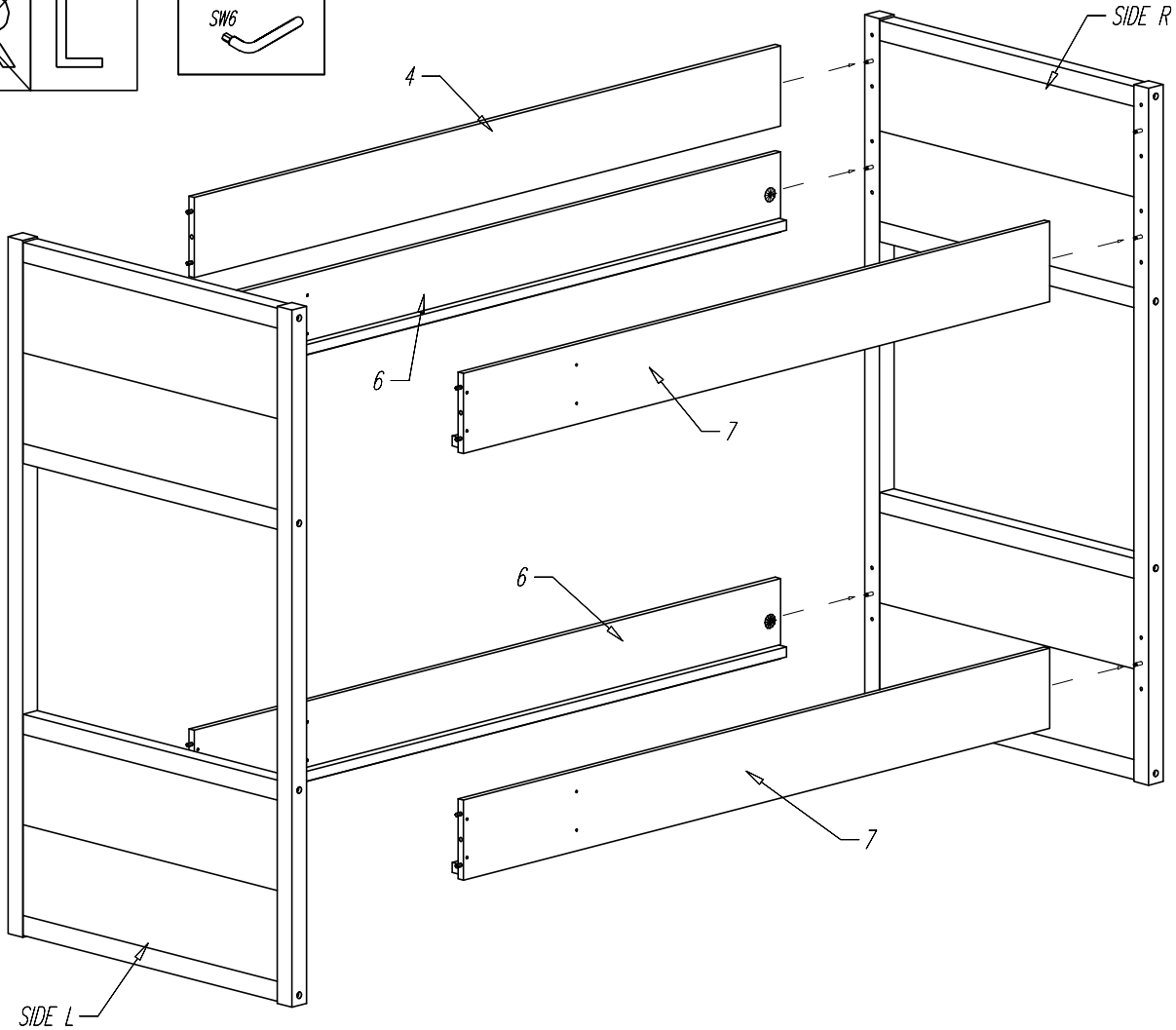
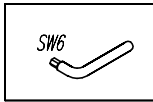
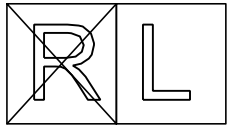
3

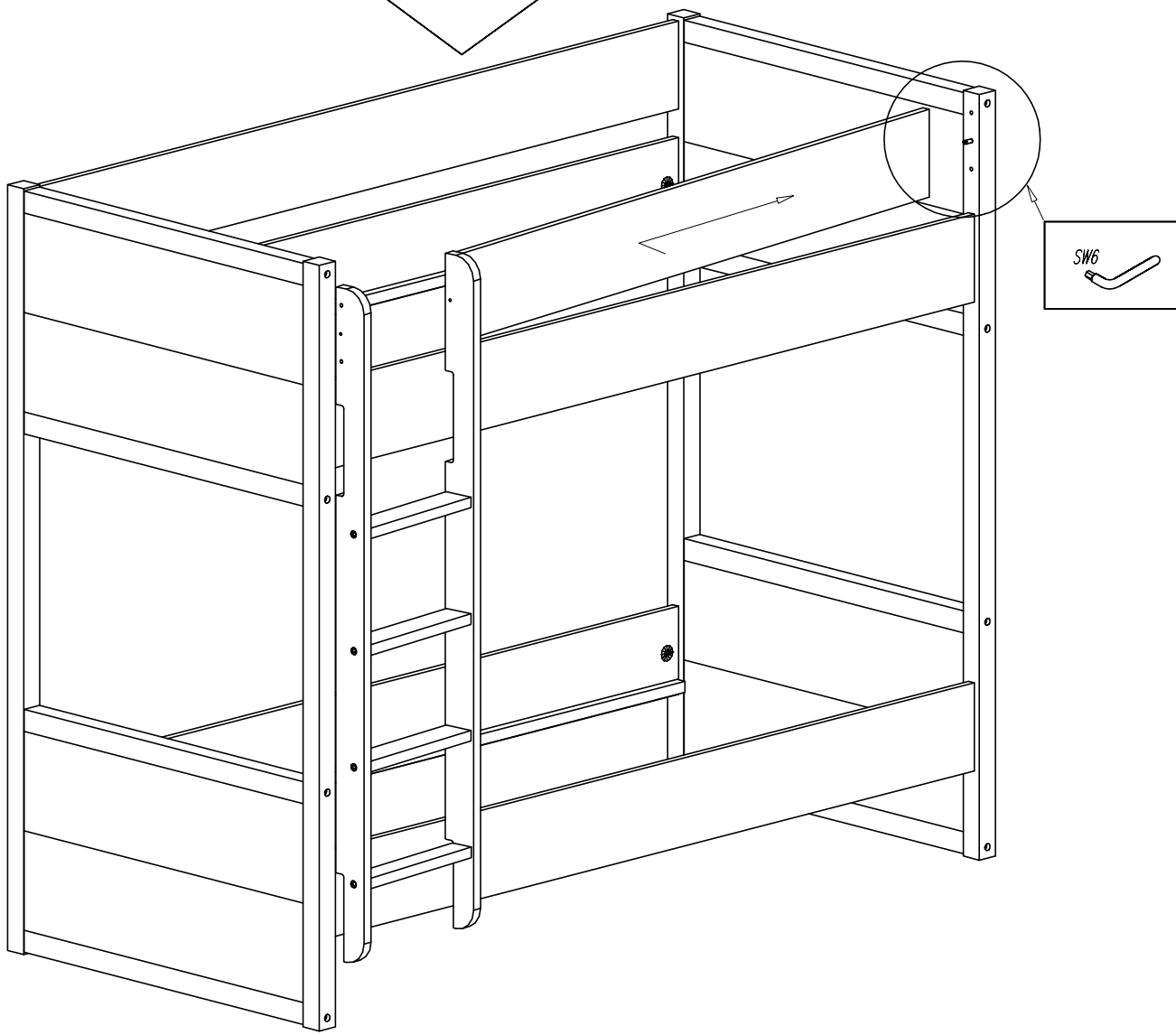
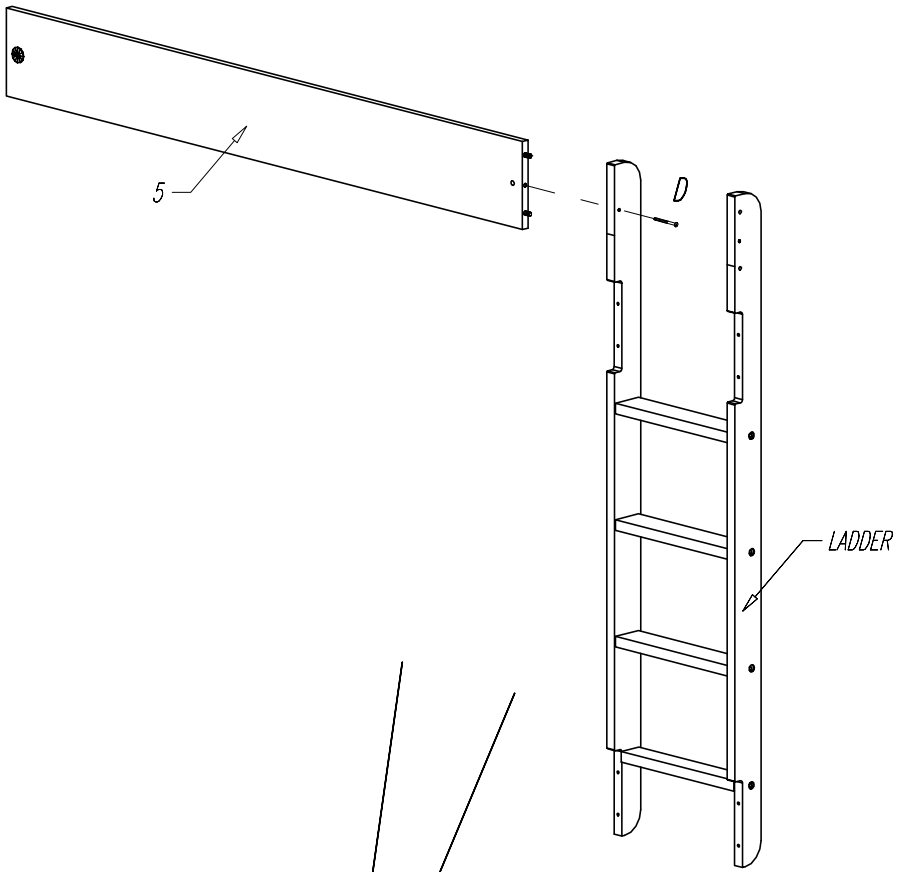


SIDE L



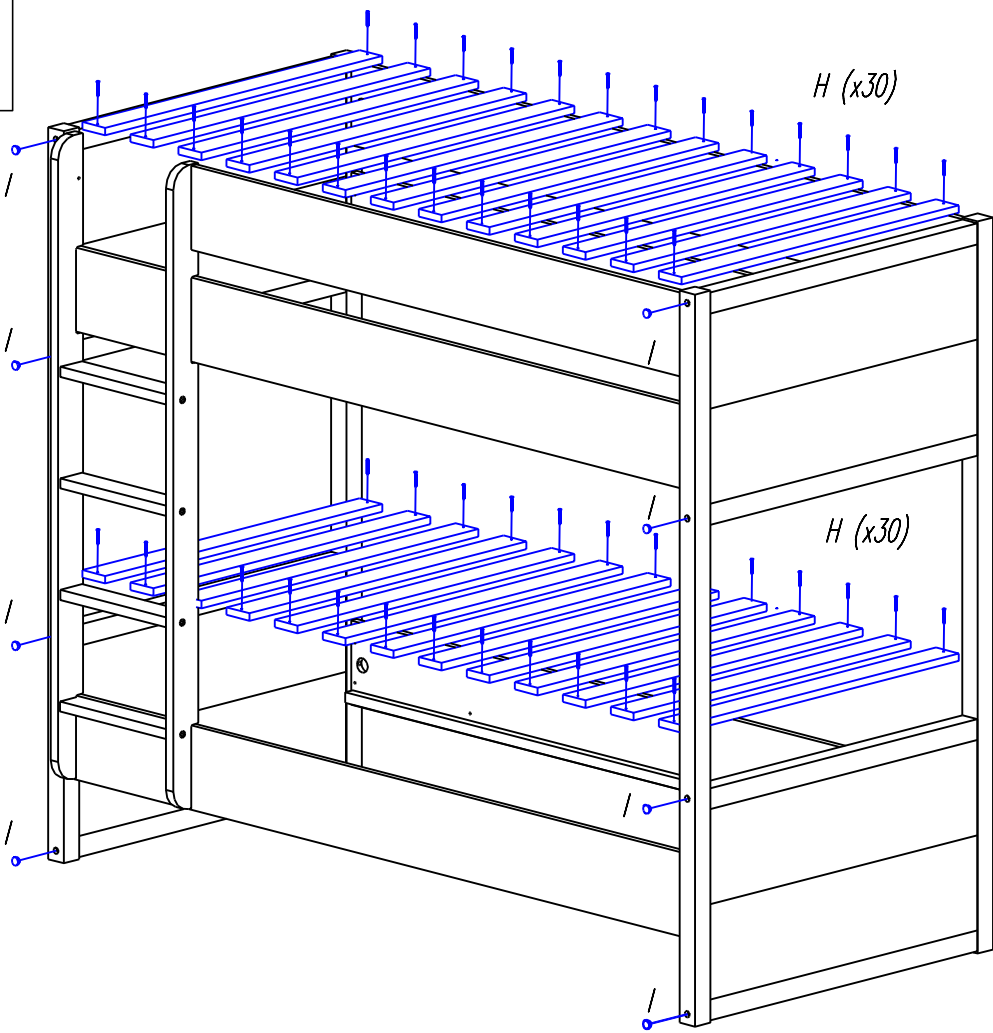
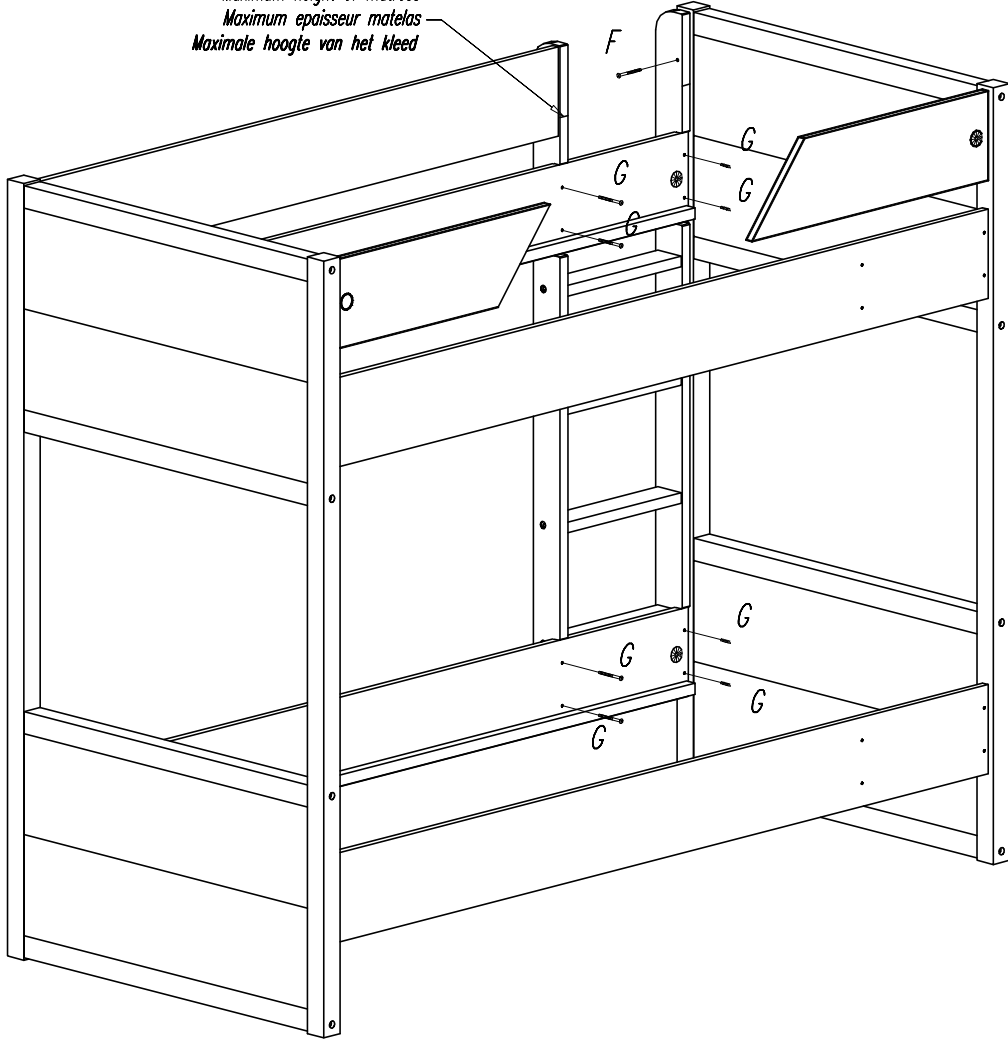
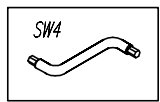
SIDE R

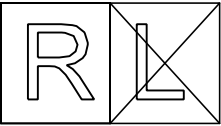




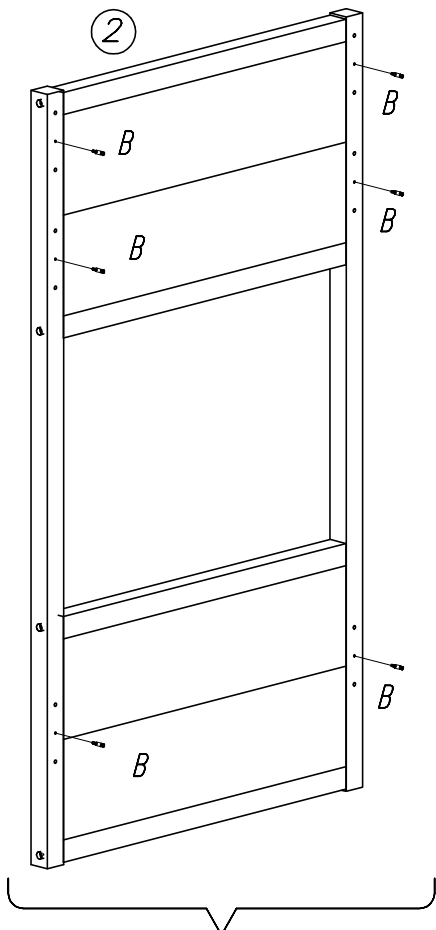


Maximum height of mattress  
Maximum épaisseur matelas  
Maximale hoogte van het kled

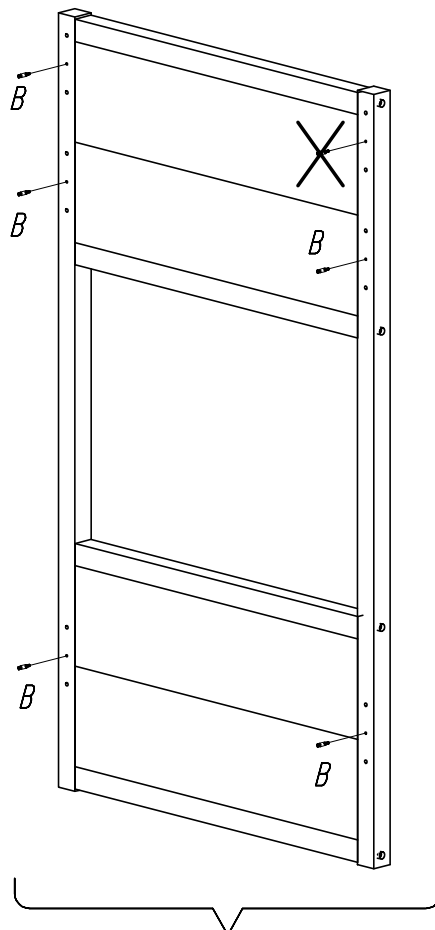




②



SIDE L



SIDE R

