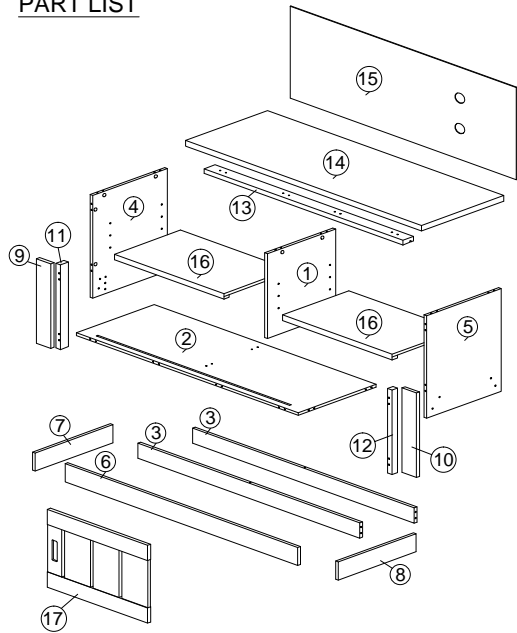


ASSEMBLY INSTRUCTION

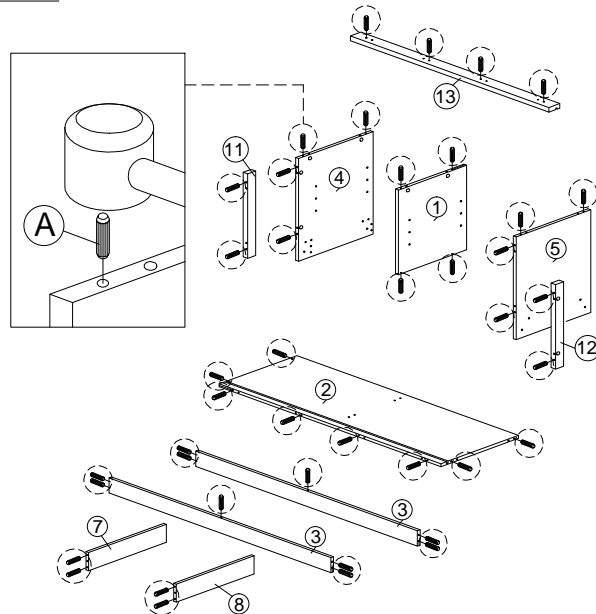
MODEL : EC 60117-S5V - EDDY TV KAST / MEUBLE TV CABINET

HARDWARE	A	B	C	D	E	F	G	H	I	J	K	L	M	N	O
	PLASTIC DOWEL M8X25 1X42	CB SCREW M3.5X16 1X14	CB SCREW M4X30 1X4	CSK CAP M6X40 1X6	CSK CAP M6X50 1X4	MINIFIX 5654 20 SETS	METAL SHELF SUPPORT 1X8	CAP 1X10	1139 ROLLER - WHITE 2 SETS	PLASTIC RAIL (110MM) 1X2	POWER NAIL 6/8 1X33	PLASTIC PIN 1X6	ALLEN KEY 1X1	HANDLE 11036 (PVC) - SILVER 1X1	TRUSS HEAD CB SCREW M4X16 1X2

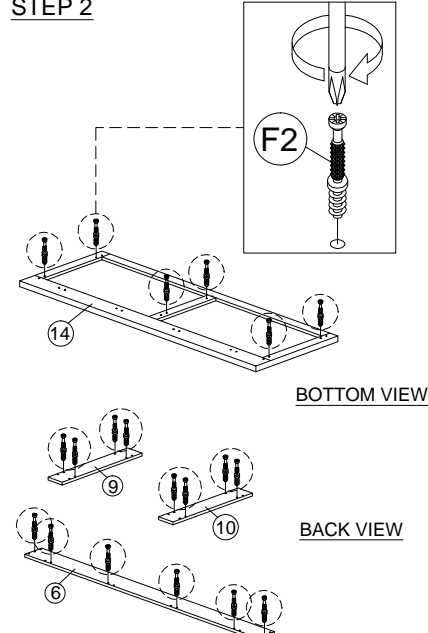
PART LIST



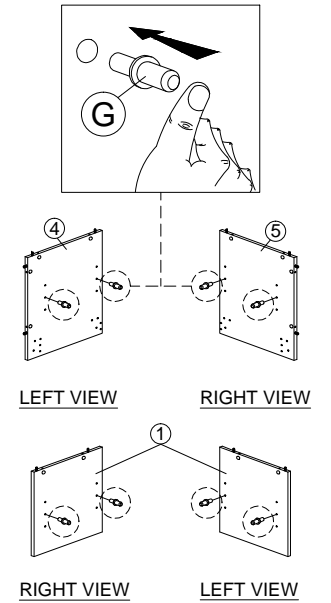
STEP 1



STEP 2

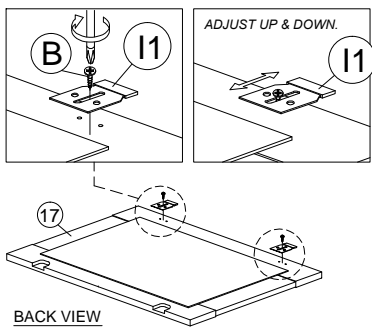


STEP 3

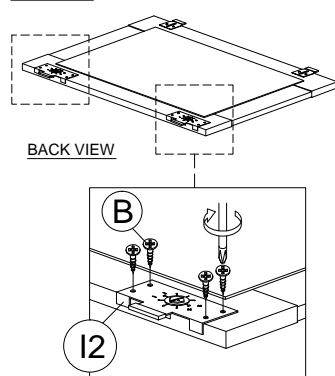


STEP 4

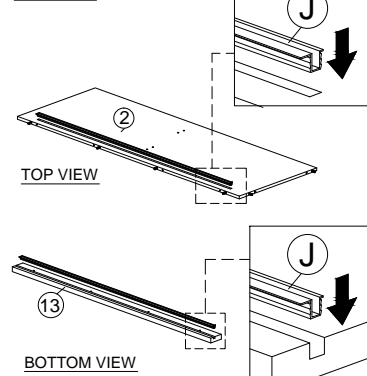
1. SCREW AT THE CENTER BRACKET.
2. DO NOT FULLY TIGHTEN THE SCREW.
3. SO THAT, MAKE IT EASY TO ADJUST UP & DOWN.



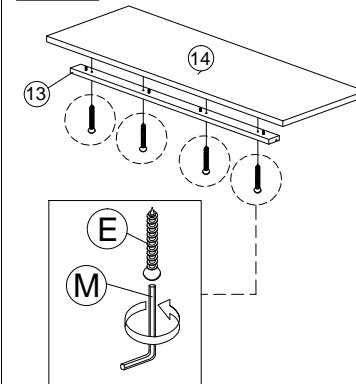
STEP 5



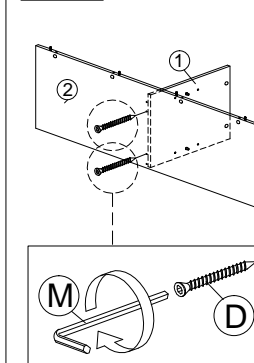
STEP 6



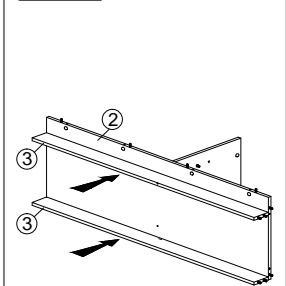
STEP 7



STEP 8

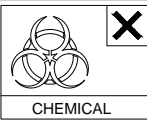


STEP 9

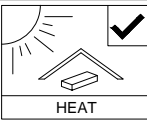




SOFT, DRY CLOTH



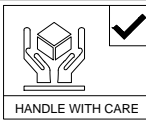
CHEMICAL



HEAT



KEEP DRY



HANDLE WITH CARE

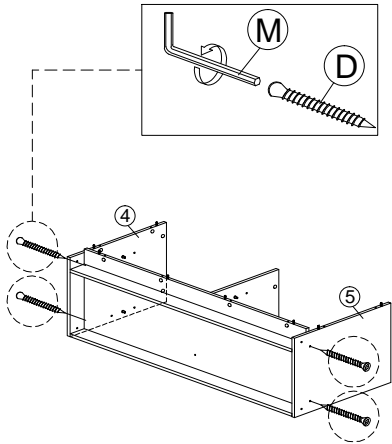


DO NOT USE KNIFE

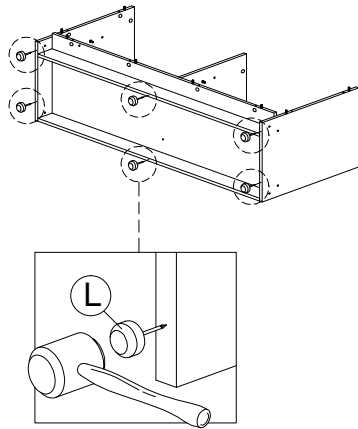
ASSEMBLY INSTRUCTION

MODEL : EC 60117-S5V - EDDY TV KAST / MEUBLE TV CABINET

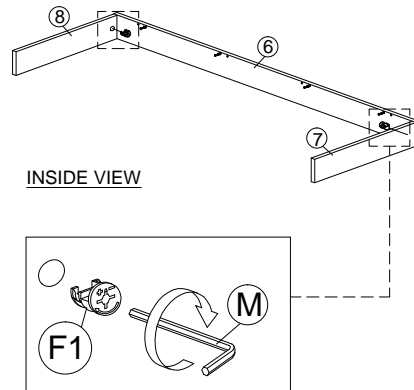
STEP 10



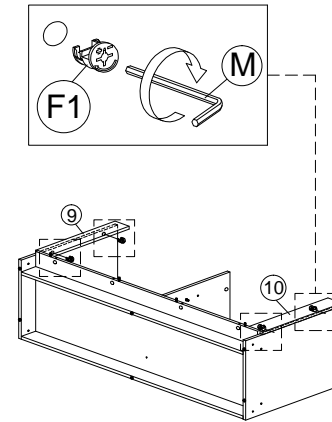
STEP 11



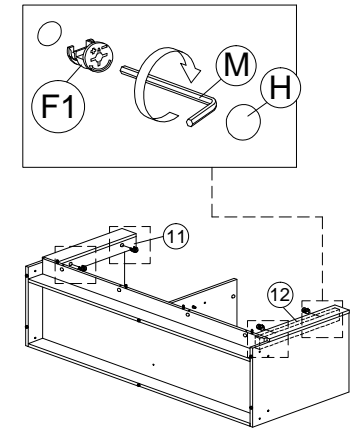
STEP 12



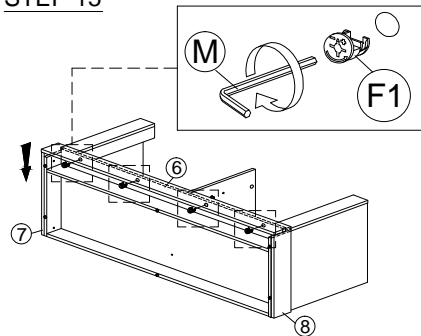
STEP 13



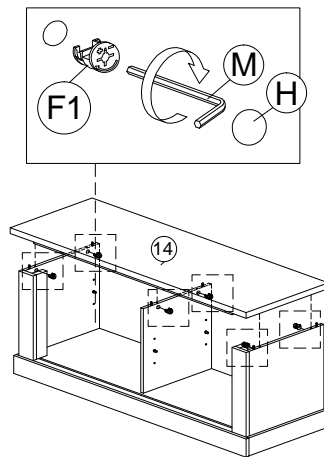
STEP 14



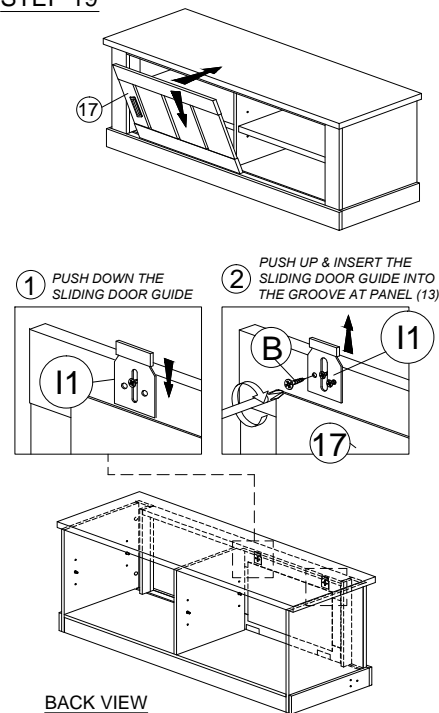
STEP 15



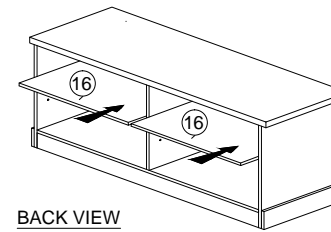
STEP 17



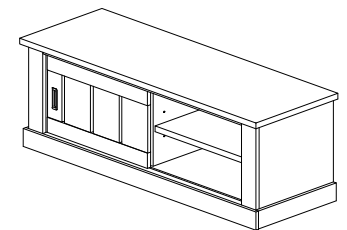
STEP 19



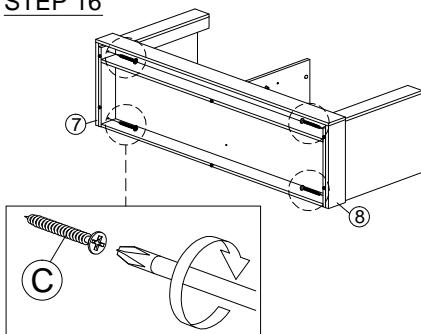
STEP 20



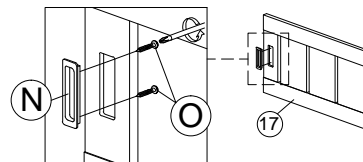
COMPLETED



STEP 16



STEP 18



STEP 21

