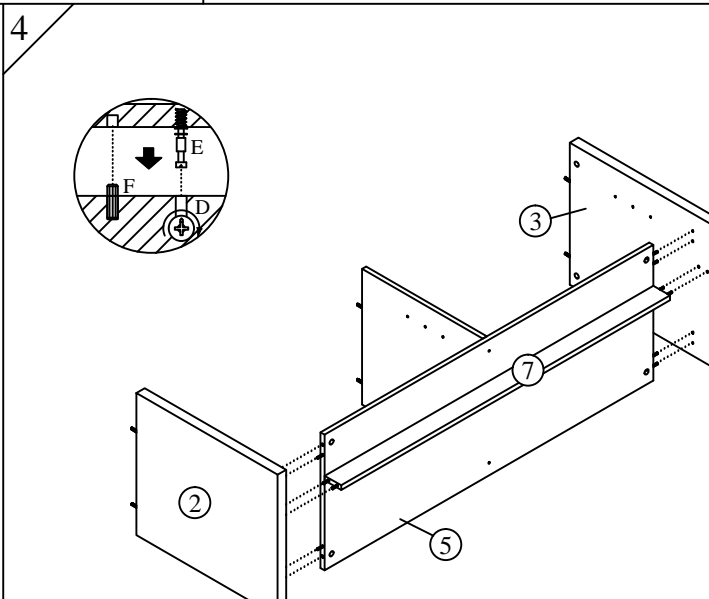
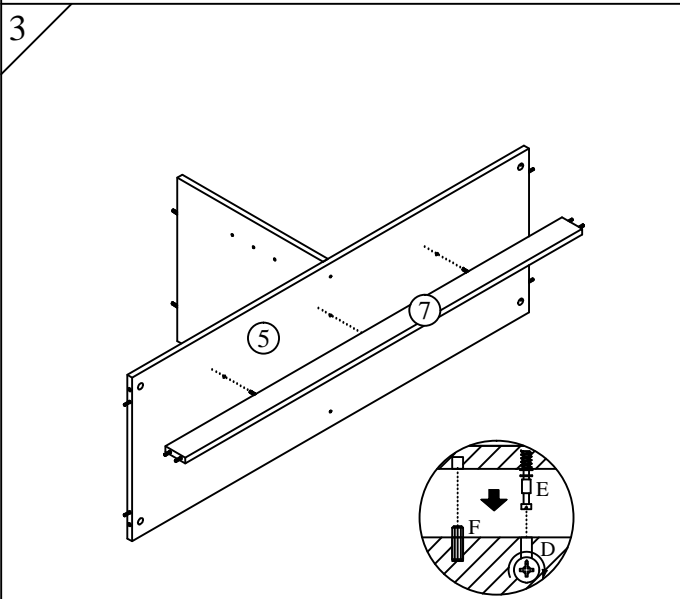
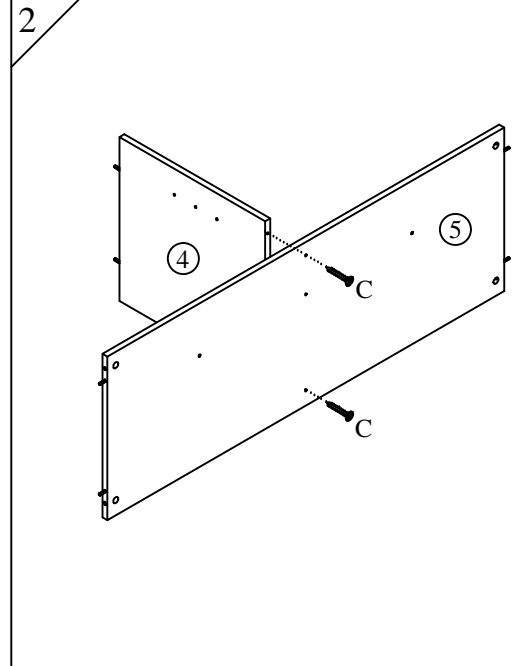
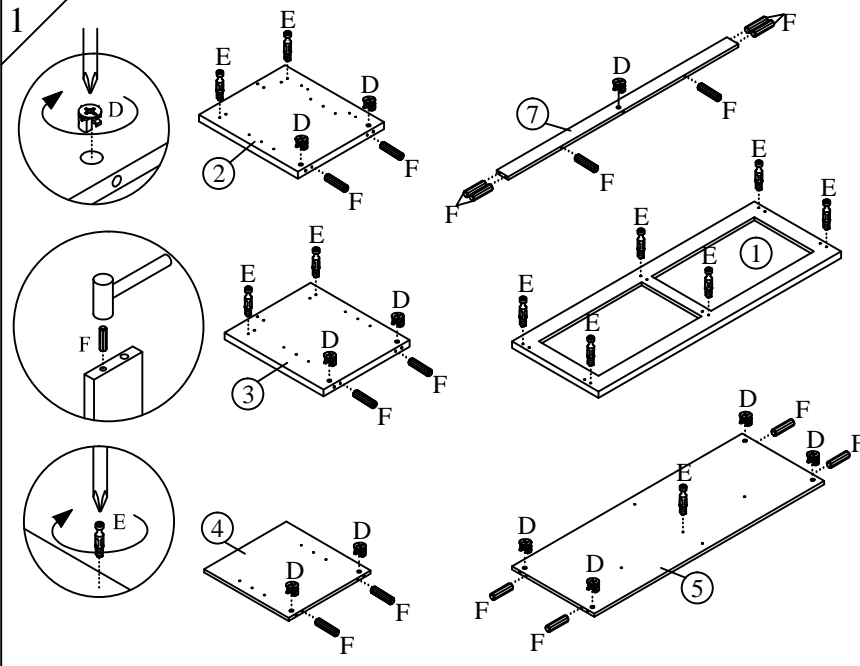
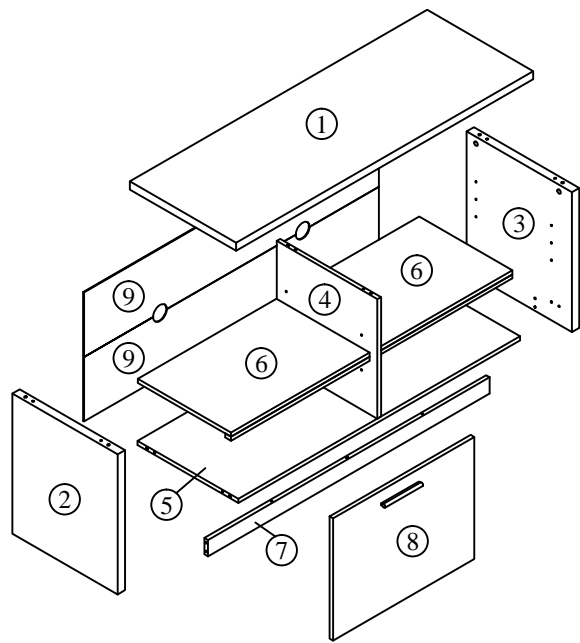


| | | | | | | | |
|-------------|-----------------------|------------|----------------|------------|----------------------------|--------------------|---------|
| Model | DN TVC 128 039 | Issue Date | 25 - 10 - 2017 | Draw By | SITI NURHIDAYU ABDUL JABAR | Approved By / Date | |
| Form No | P13-RD-05-Rev01 | Revision | TVC 1.0 | Checked By | CK TAY | Sheet | 01 / 02 |
| Description | Assembly Instructions | | | | | | |



| | | | |
|---|--|------------------------|----|
| A | | CSK SCREW M3.5 x 16 mm | 8 |
| B | | CSK SCREW M4 x 30 mm | 2 |
| C | | CSK SCREW M4 x 45 mm | 2 |
| D | | CAM NUT 15 mm | 11 |
| E | | CAM BOLT | 11 |
| F | | WOOD DOWEL M6 x 25 mm | 16 |
| G | | METAL SHELF SUPPORT | 8 |
| H | | PVC NAIL 5/8" | 6 |
| I | | HINGES 7/8" | 2 |
| J | | HANDLE BAR 8" PVC | 1 |
| K | | NAIL | 28 |

| | | | | | | | |
|-------------|-----------------------|------------|----------------|------------|----------------------------|--------------------|---------|
| Model | DN TVC 128 039 | Issue Date | 25 - 10 - 2017 | Draw By | SITI NURHIDAYU ABDUL JABAR | Approved By / Date | |
| Form No | P13-RD-05-Rev01 | Revision | TVC 1.0 | Checked By | CK TAY | Sheet | 02 / 02 |
| Description | Assembly Instructions | | | | | | |

