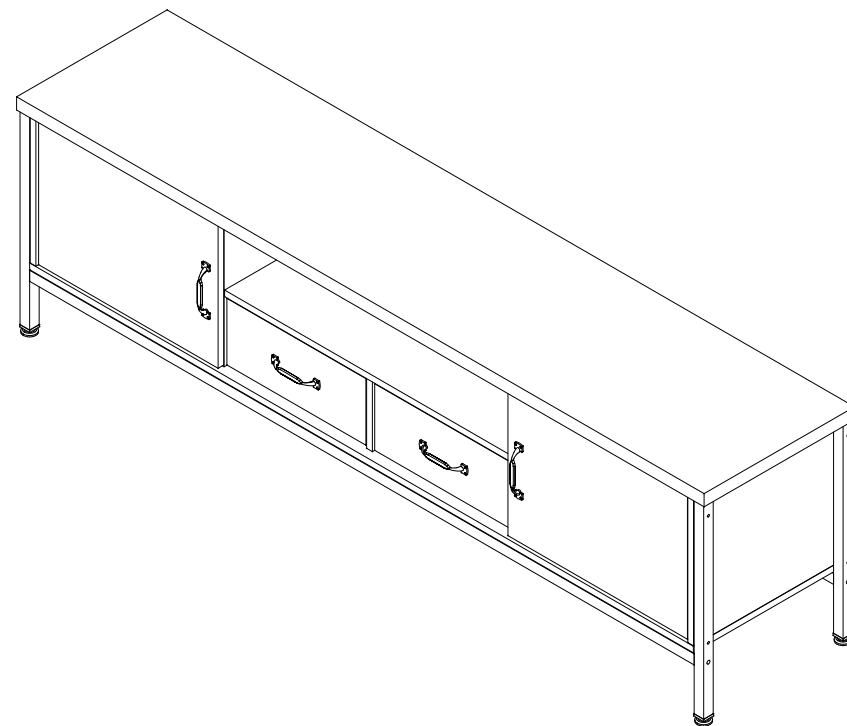
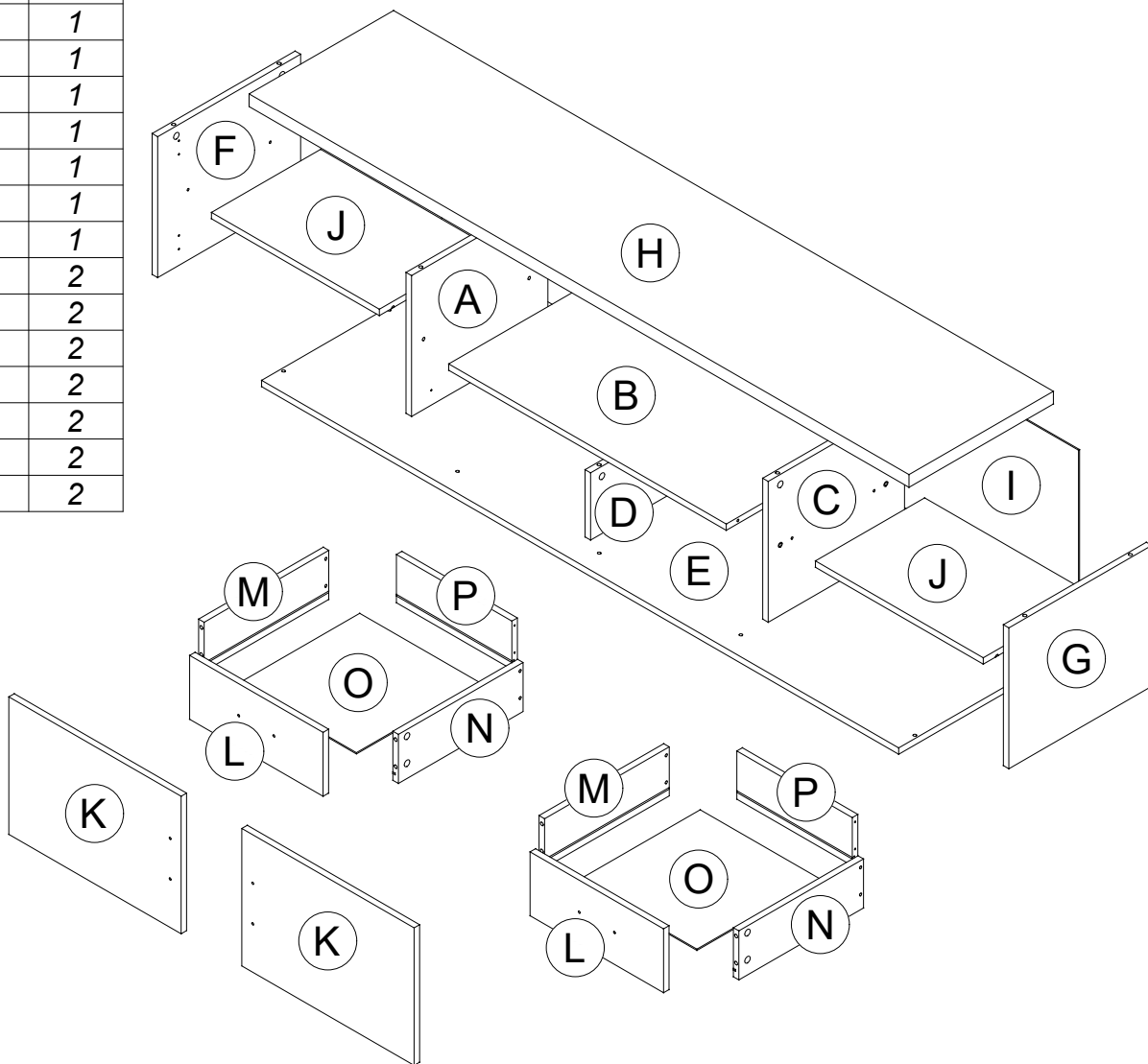


## PART LIST

CODE	QTY
A	1
B	1
C	1
D	1
E	1
F	1
G	1
H	1
I	1
J	2
K	2
L	2
M	2
N	2
O	2
P	2

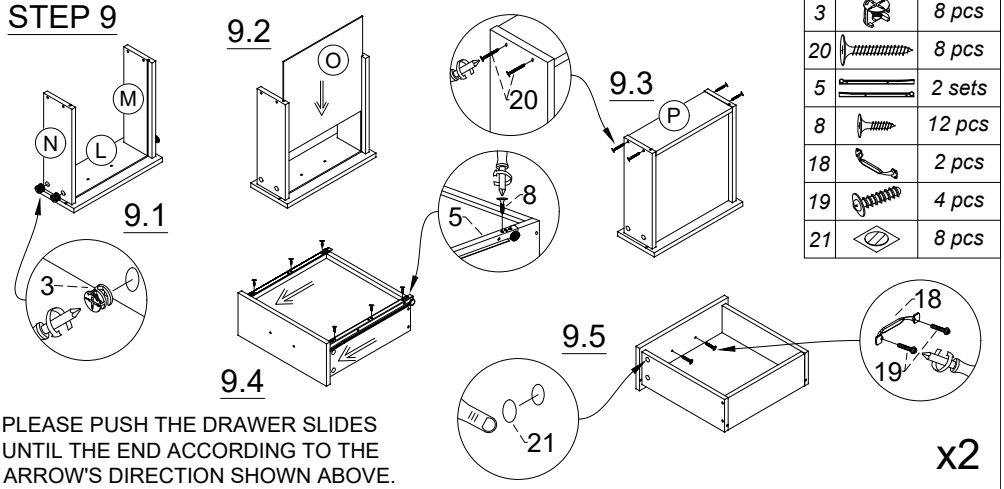
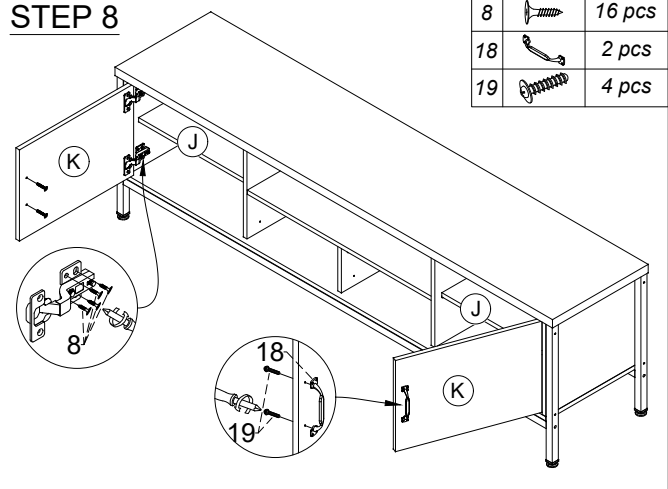
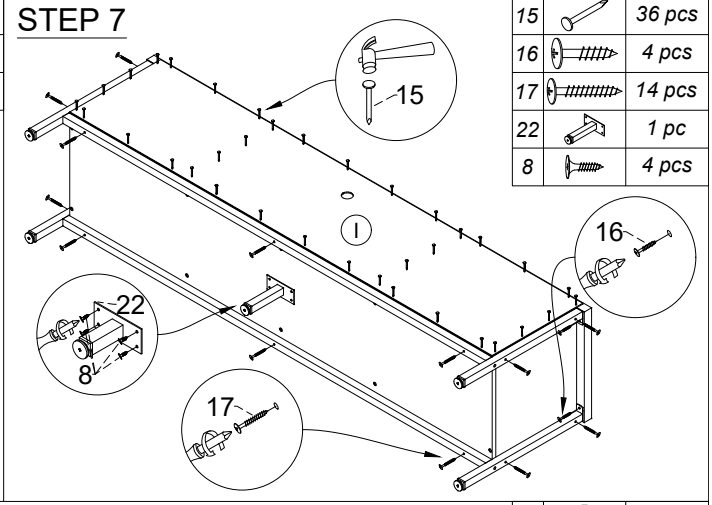
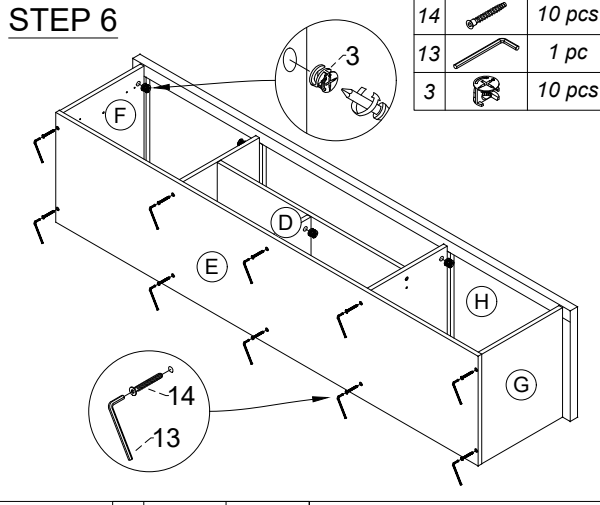
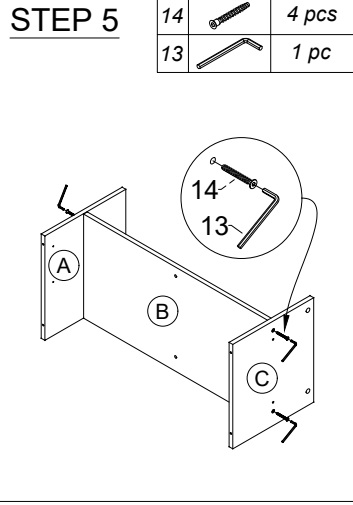
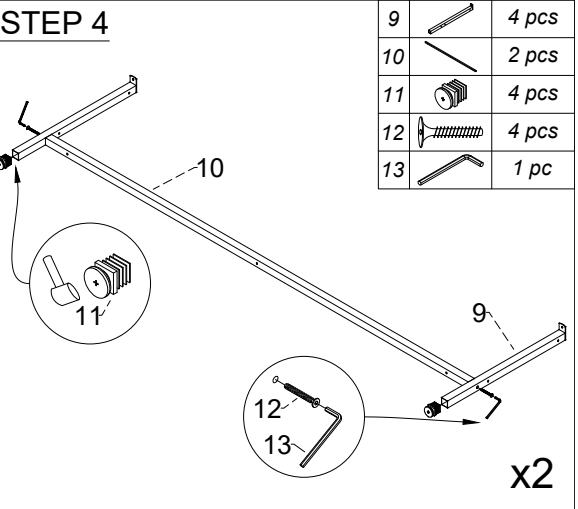
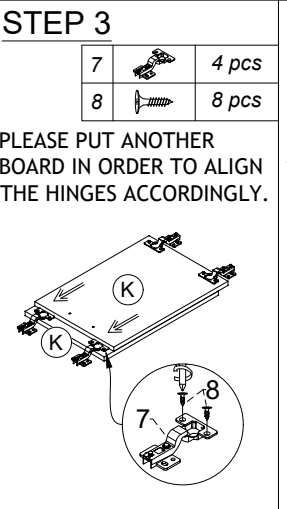
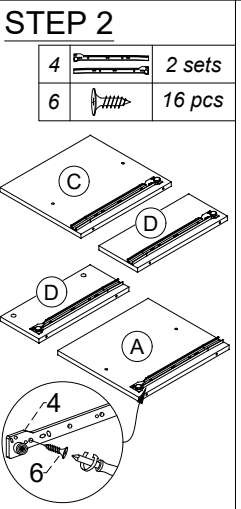
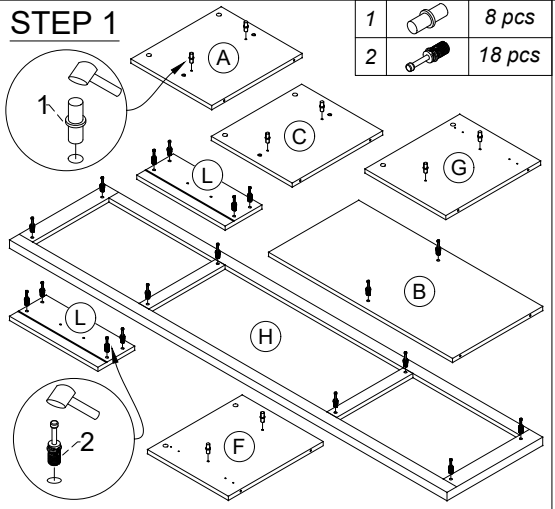


## ASSEMBLY INSTRUCTIONS

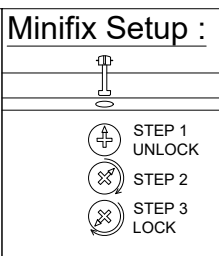
DO NOT FULLY TIGHTEN ANY BOLTS BEFORE ALL PARTS ARE LOOSELY ASSEMBLED. THE PRODUCT/FITTINGS MAY BE DAMAGED IF OVERTIGHTENED. BEWARE OF CROSS THREADING SCREWS AND BOLTS DURINGS ASSEMBLY. SMALL COMPONENT PARTS COULD CHOKE A CHILD IF SWALLOWED. WE STRONGLY RECOMMEND THAT YOU KEEP CHILDREN AWAY FROM THE WORK AREA.

# MTL18

HARDWARE LIST		
1		Shelf Support $\phi 5 \times 16 \text{mm}$ 8 pcs
2		Minifix Bolt 18 pcs
3		Minifix Cam 18 pcs
4		Drawer Slide 14" 2 sets
5		Drawer Slide 14" 2 sets
6		Screw $\phi 3.5 \times 12 \text{mm}$ 16 pcs
7		Hinges 7/8" 4 pcs
8		Screw $\phi 3.5 \times 16 \text{mm}$ 40 pcs
9		Metal Leg - 484mm 4 pcs
10		Metal Leg - 1740mm 2 pcs
11		Metal Leg Adjust Screw 4 pcs
12		JCBC Screw $\phi 6 \times 50 \text{mm}$ 4 pcs
13		Allen Key M4 1 pc
14		Screw $\phi 6.3 \times 50 \text{mm}$ 14 pcs
15		Nail 36 pcs
16		Rattan Screw $\phi 8 \times 20 \text{mm}$ 4 pcs
17		Rattan Screw $\phi 8 \times 35 \text{mm}$ 14 pcs
18		Handle 4 pcs
19		Screw $\phi 4 \times 19 \text{mm}$ 8 pcs
20		Screw $\phi 4 \times 38 \text{mm}$ 8 pcs
21		Seal Sticker - 18mm 8 pcs
22		Metal Leg - 150mm 1 pc



**Important Note :**  
Please choose the correct screw hole before fitting the drawer runner.



x2