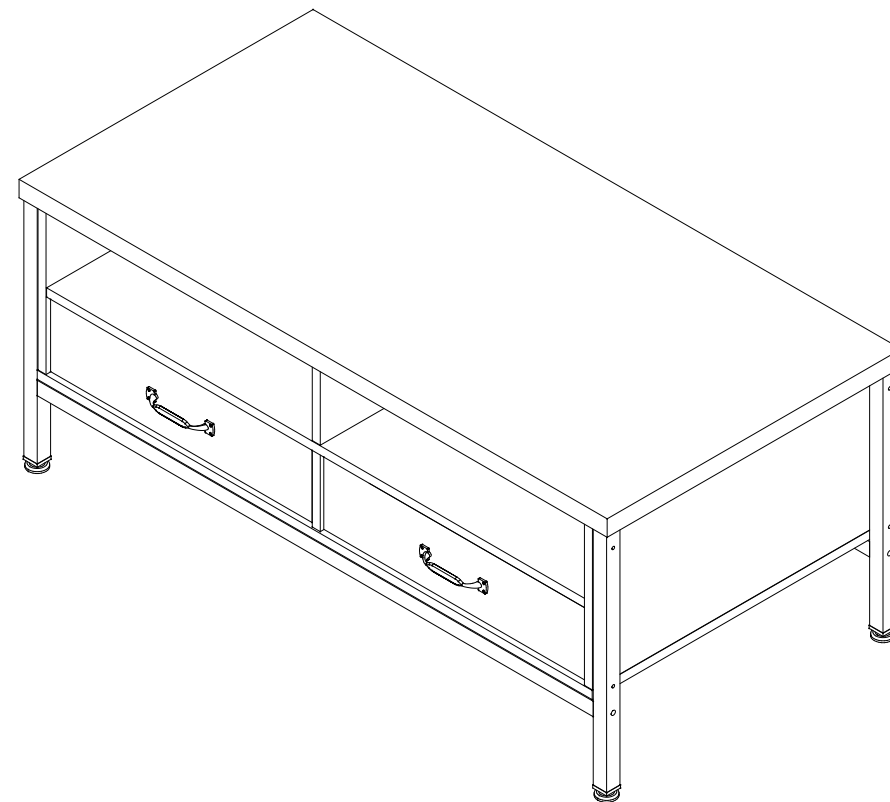
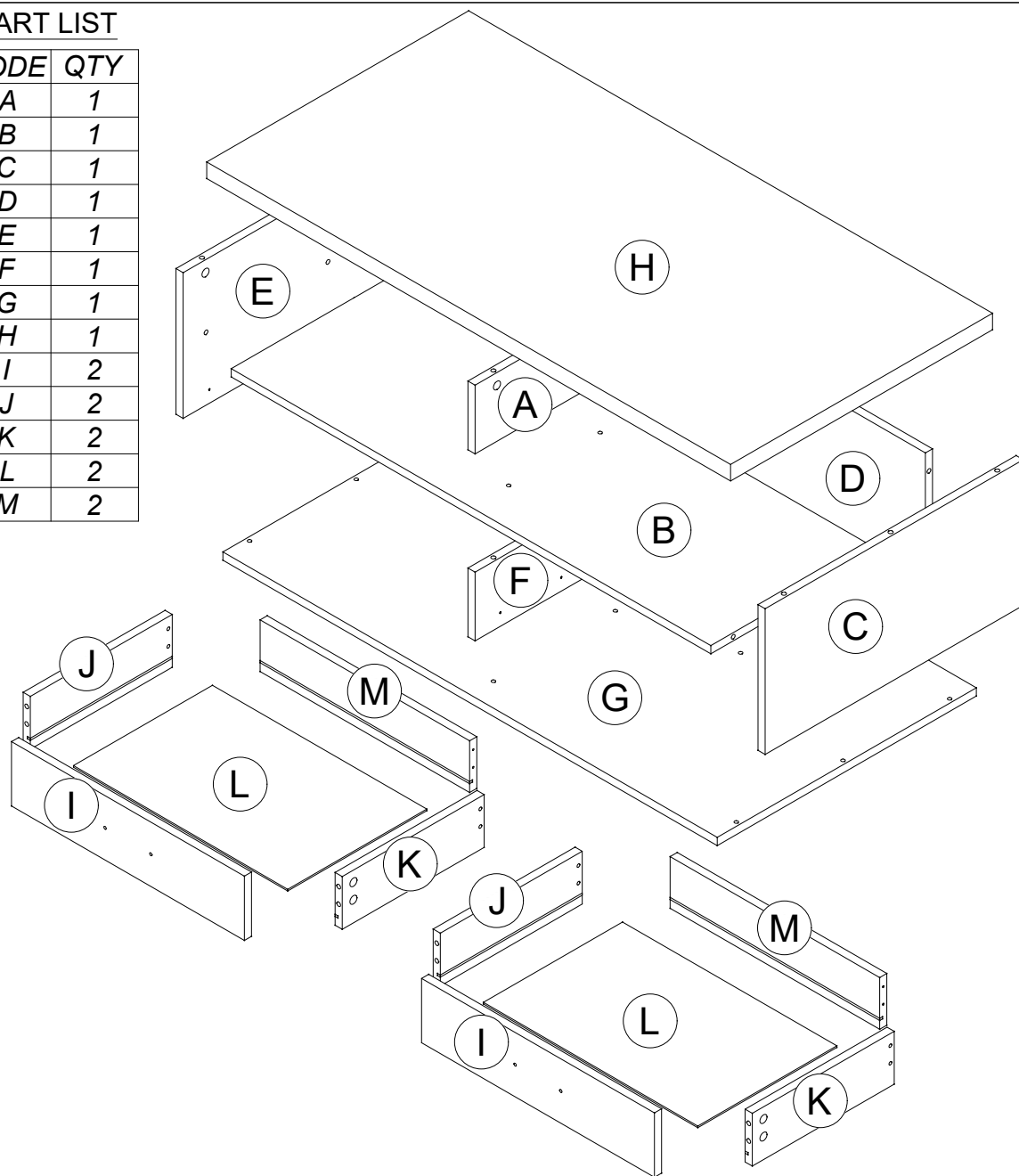


## PART LIST

CODE	QTY
A	1
B	1
C	1
D	1
E	1
F	1
G	1
H	1
I	2
J	2
K	2
L	2
M	2



## ASSEMBLY INSTRUCTIONS

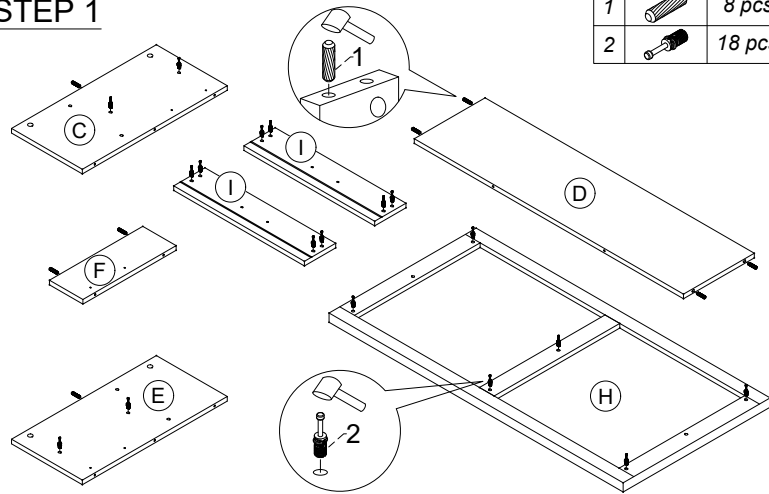
DO NOT FULLY TIGHTEN ANY BOLTS BEFORE ALL PARTS ARE LOOSELY ASSEMBLED. THE PRODUCT/FITTINGS MAY BE DAMAGED IF OVERTIGHTENED. BEWARE OF CROSS THREADING SCREWS AND BOLTS DURINGS ASSEMBLY. SMALL COMPONENT PARTS COULD CHOKE A CHILD IF SWALLOWED. WE STRONGLY RECOMMEND THAT YOU KEEP CHILDREN AWAY FROM THE WORK AREA.

# MTL09

# HARDWARE LIST

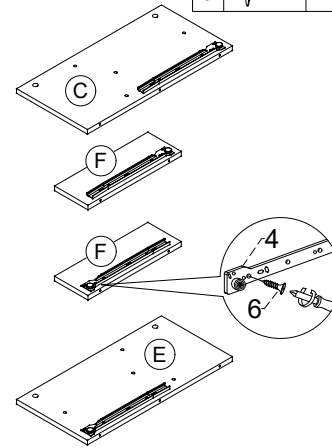
1		Wood Dowel $\phi 8 \times 30 \text{mm}$	8 pcs
2		Minifix Bolt	18 pcs
3		Minifix Cam	18 pcs
4		Drawer Slide 12"	2 sets
5		Drawer Slide 12"	2 sets
6		Screw $\phi 3.5 \times 12 \text{mm}$	16 pcs
7		Screw $\phi 6.3 \times 50 \text{mm}$	12 pcs
8		Allen Key M4	1 pc
9		Handle	2 pcs
10		Handle Screw $\phi 4 \times 19 \text{mm}$	4 pcs
11		Metal Leg - 416mm	4 pcs
12		Metal Leg - 1040mm	2 pcs
13		Metal Leg Adjust Screw	4 pcs
14		JCBC Screw $\phi 6 \times 50 \text{mm}$	4 pcs
15		Screw $\phi 4 \times 38 \text{mm}$	8 pcs
16		Rattan Screw $\phi 8 \times 20 \text{mm}$	4 pcs
17		Rattan Screw $\phi 8 \times 38 \text{mm}$	14 pcs
18		Screw $\phi 3.5 \times 16 \text{mm}$	12 pcs
19		Seal Sticker - 18mm	14 pcs

## STEP 1



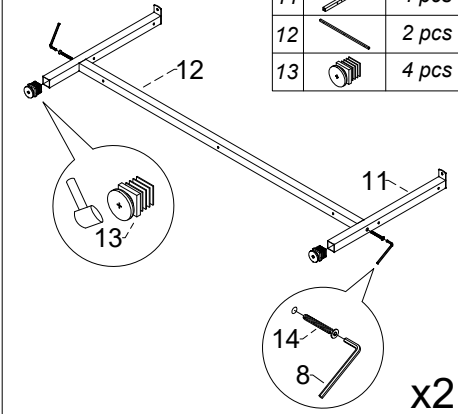
1		8 pcs
2		18 pcs

## STEP 2



4		2 sets
6		16 pcs

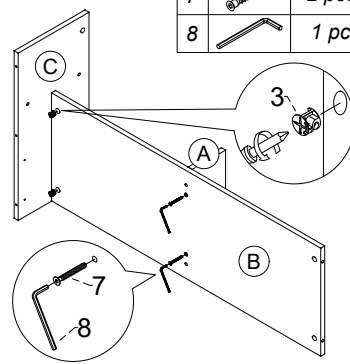
## STEP 3



14		4 pcs
8		1 pc
11		4 pcs
12		2 pcs
13		4 pcs

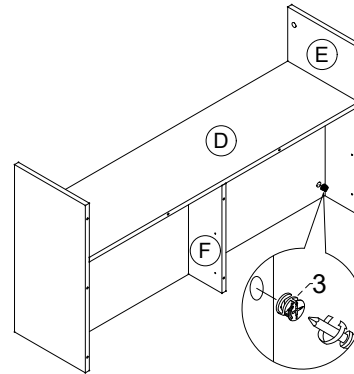
x2

## STEP 4



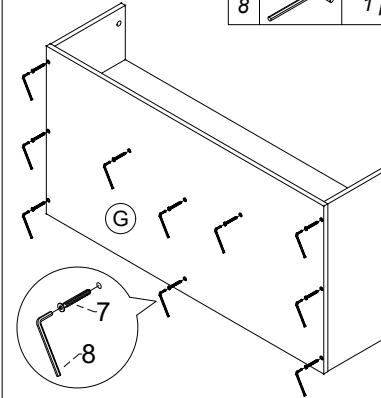
3		2 pcs
7		2 pcs
8		1 pc

## STEP 5



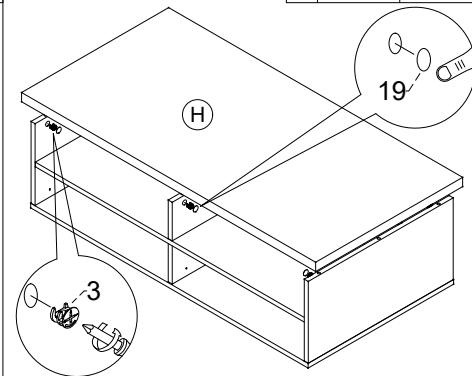
3		2 pcs
---	--	-------

## STEP 6



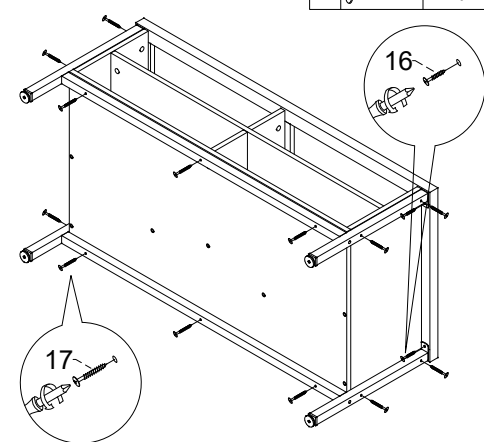
7		10 pcs
8		1 pc

## STEP 7



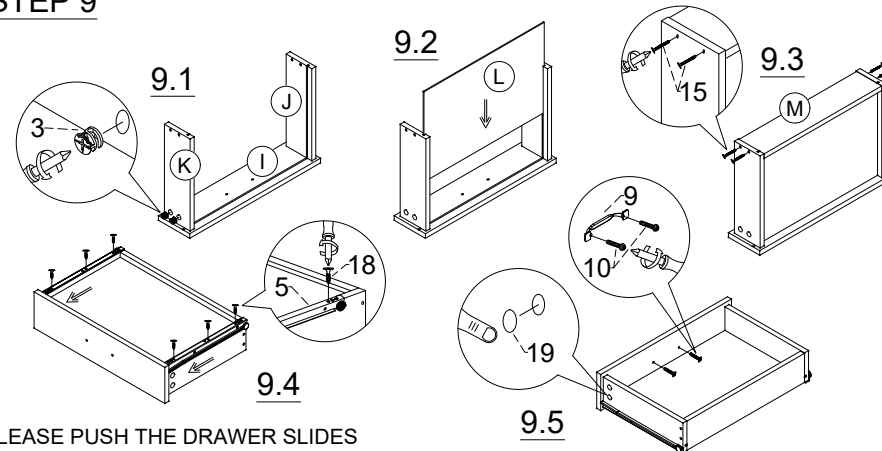
3		6 pcs
19		6 pcs

## STEP 8



16		4 pcs
17		14 pcs

## STEP 9



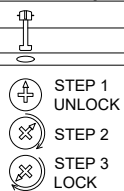
3		8 pcs
15		8 pcs
5		2 sets
18		12 pcs
9		2 pcs
10		4 pcs
19		8 pcs

x2

### Important Note :

Please choose the correct screw hole before fitting the drawer runner.

### Minifix Setup :



PLEASE PUSH THE DRAWER SLIDES UNTIL THE END ACCORDING TO THE ARROW'S DIRECTION SHOWN ABOVE.