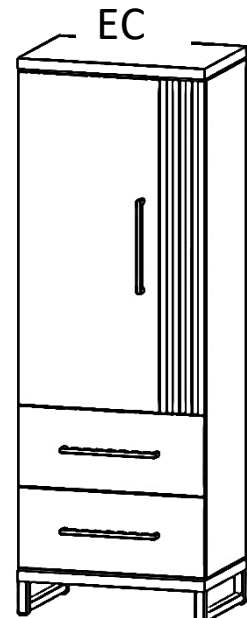
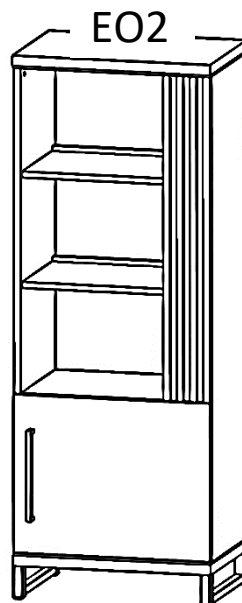
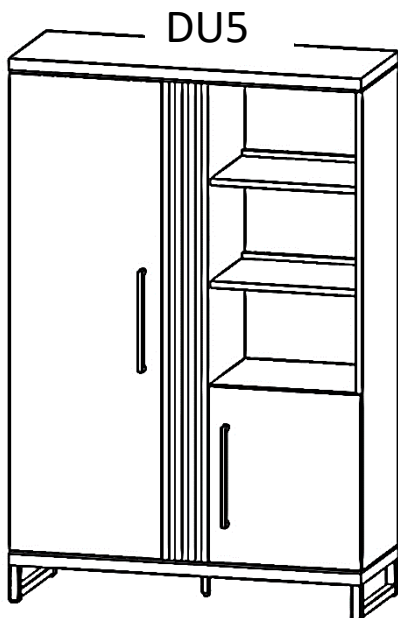
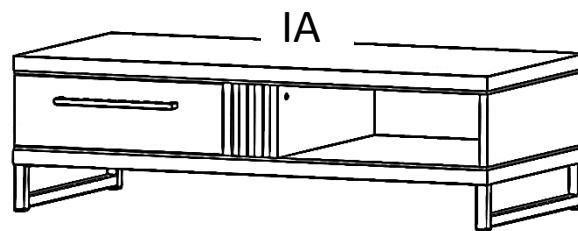
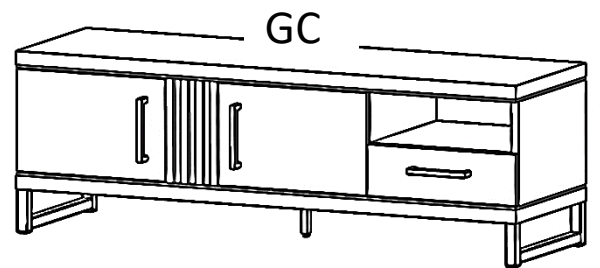
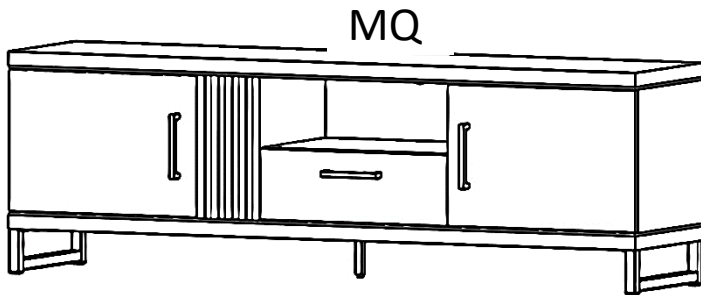
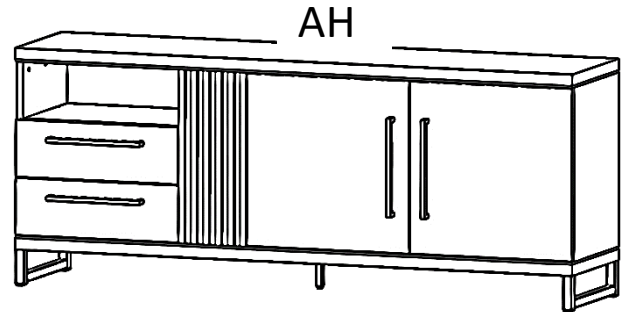
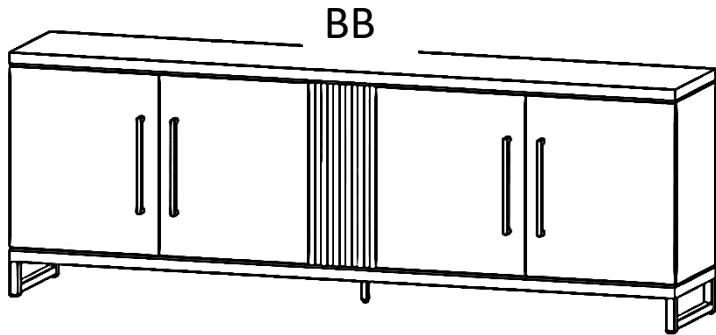
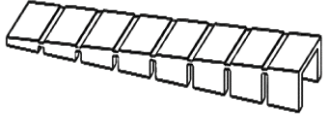
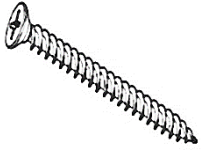
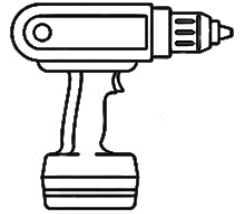
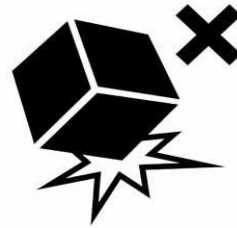
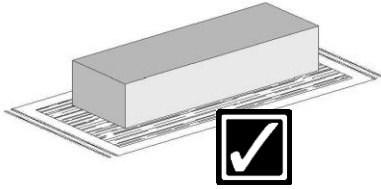


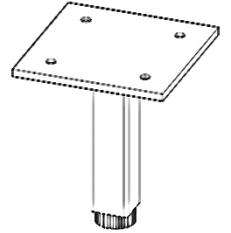


Gianlucca





IF MIDDLE
LEG



4x30 = 8 x A

2x

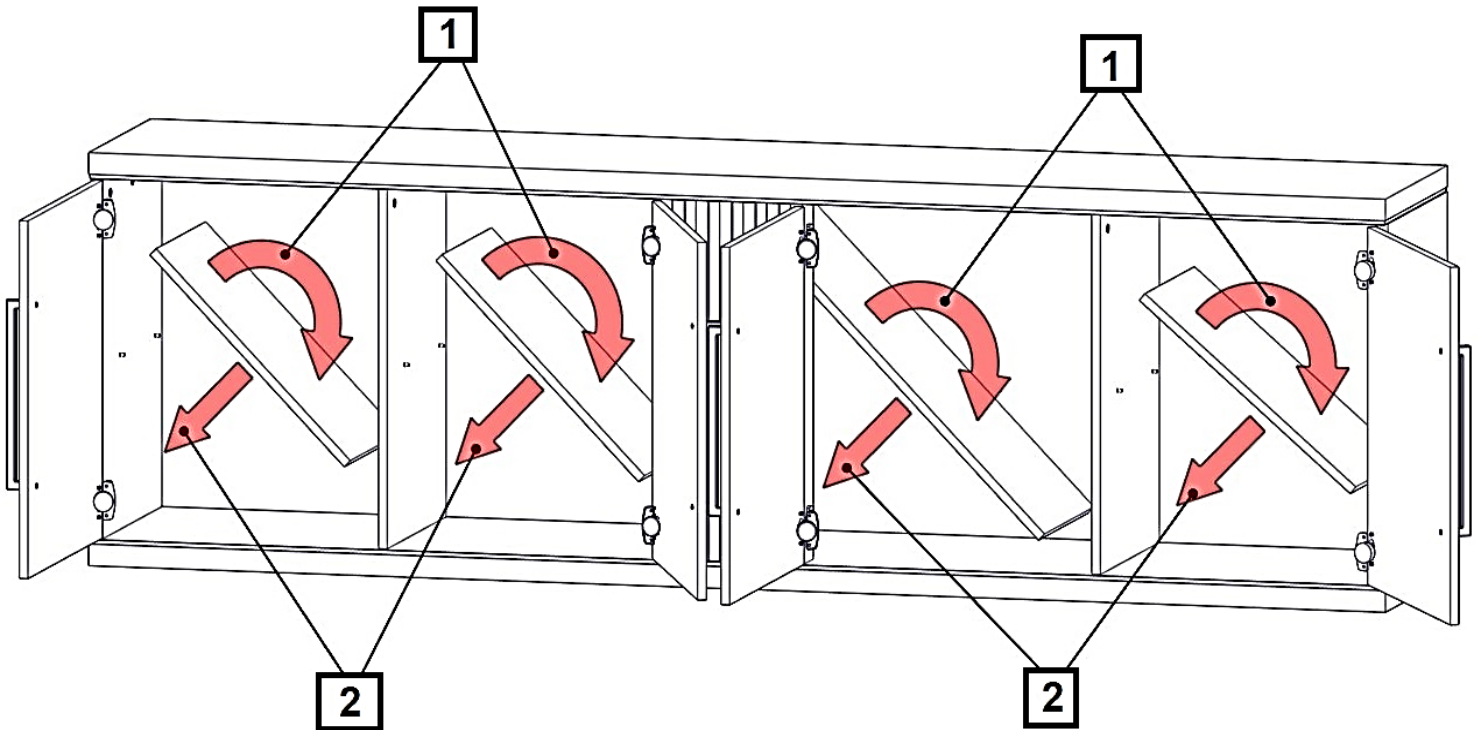
4x30 = 4 x A

1 X

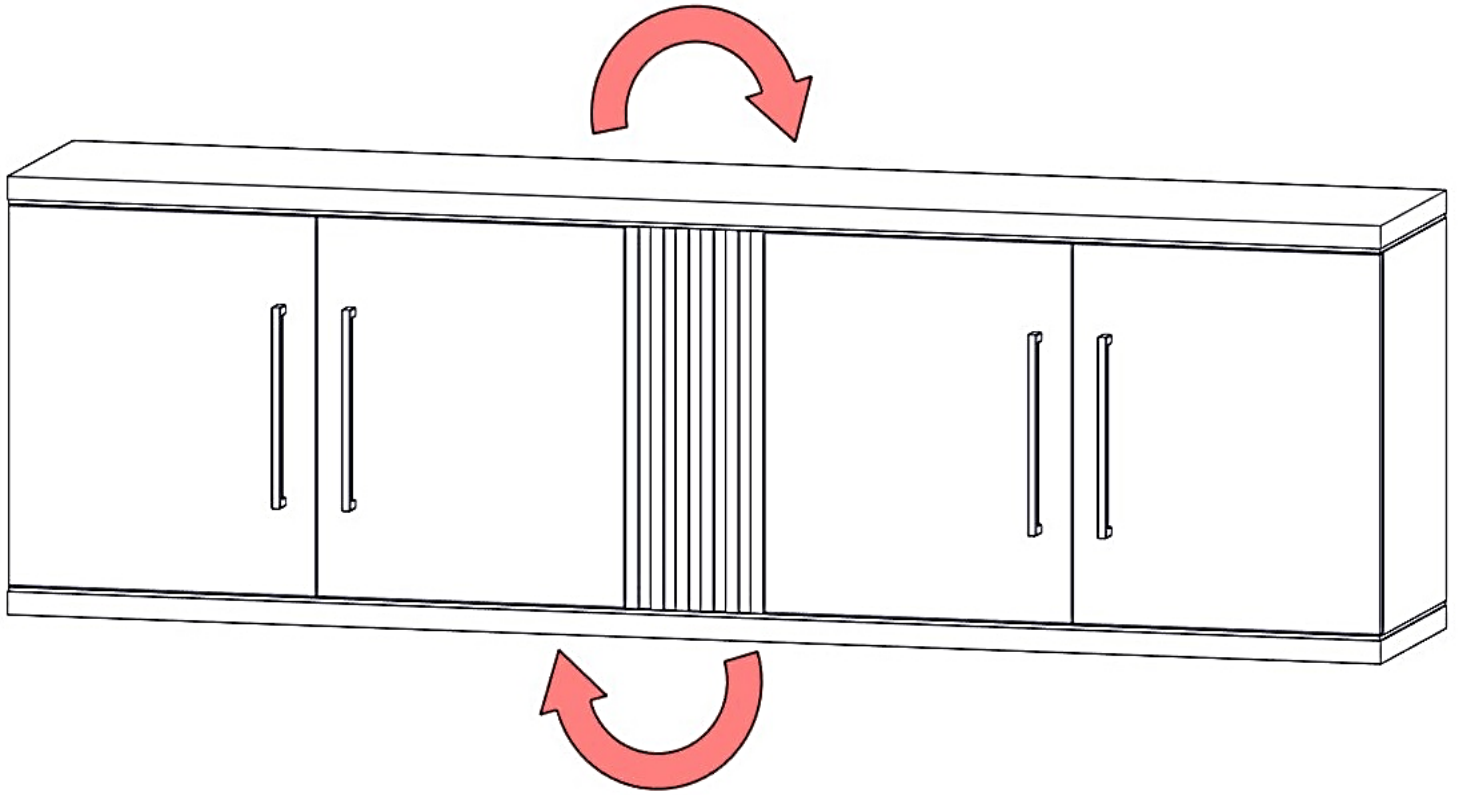
Gianluca

BB, AH, MQ, GC, DU5

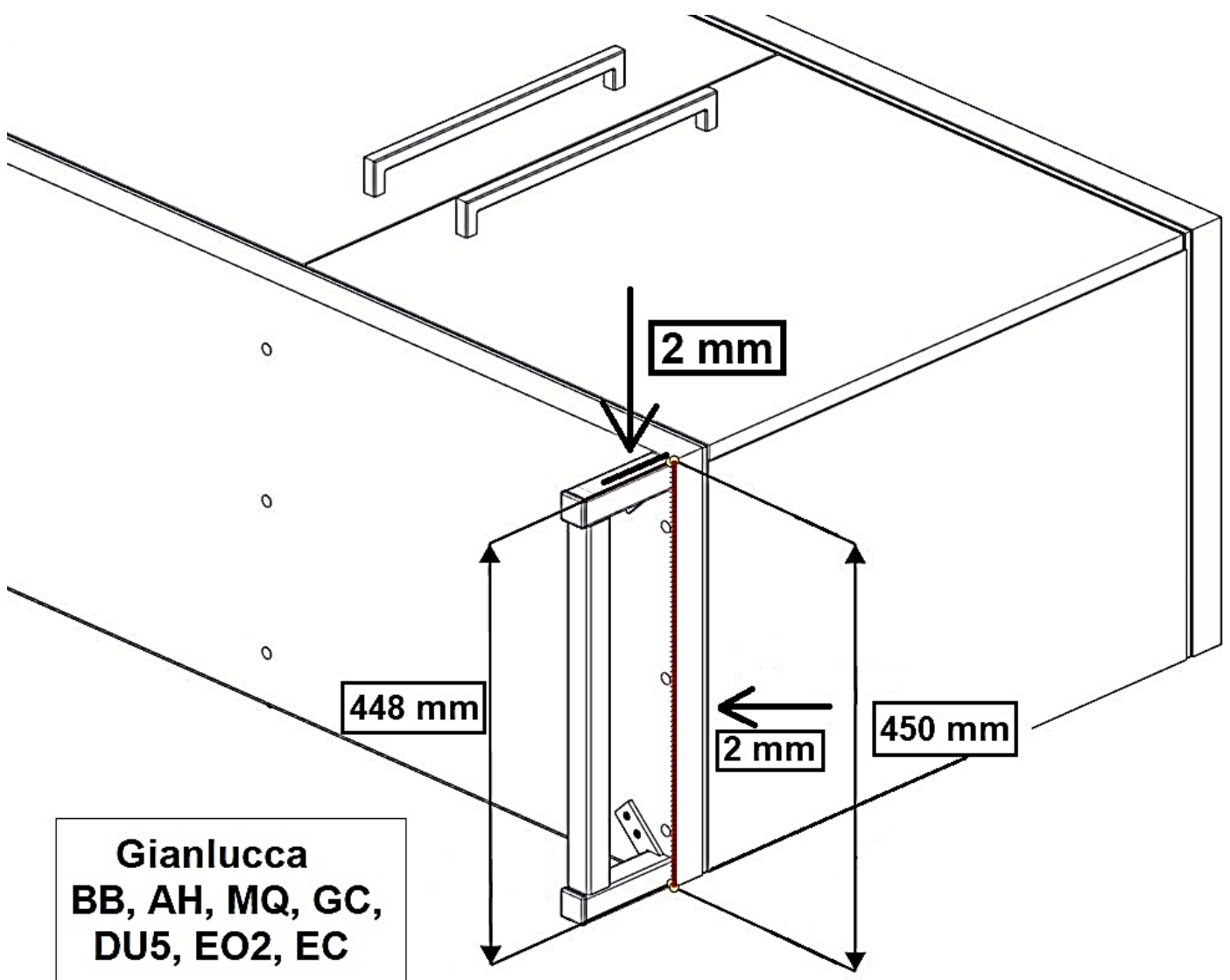
1.

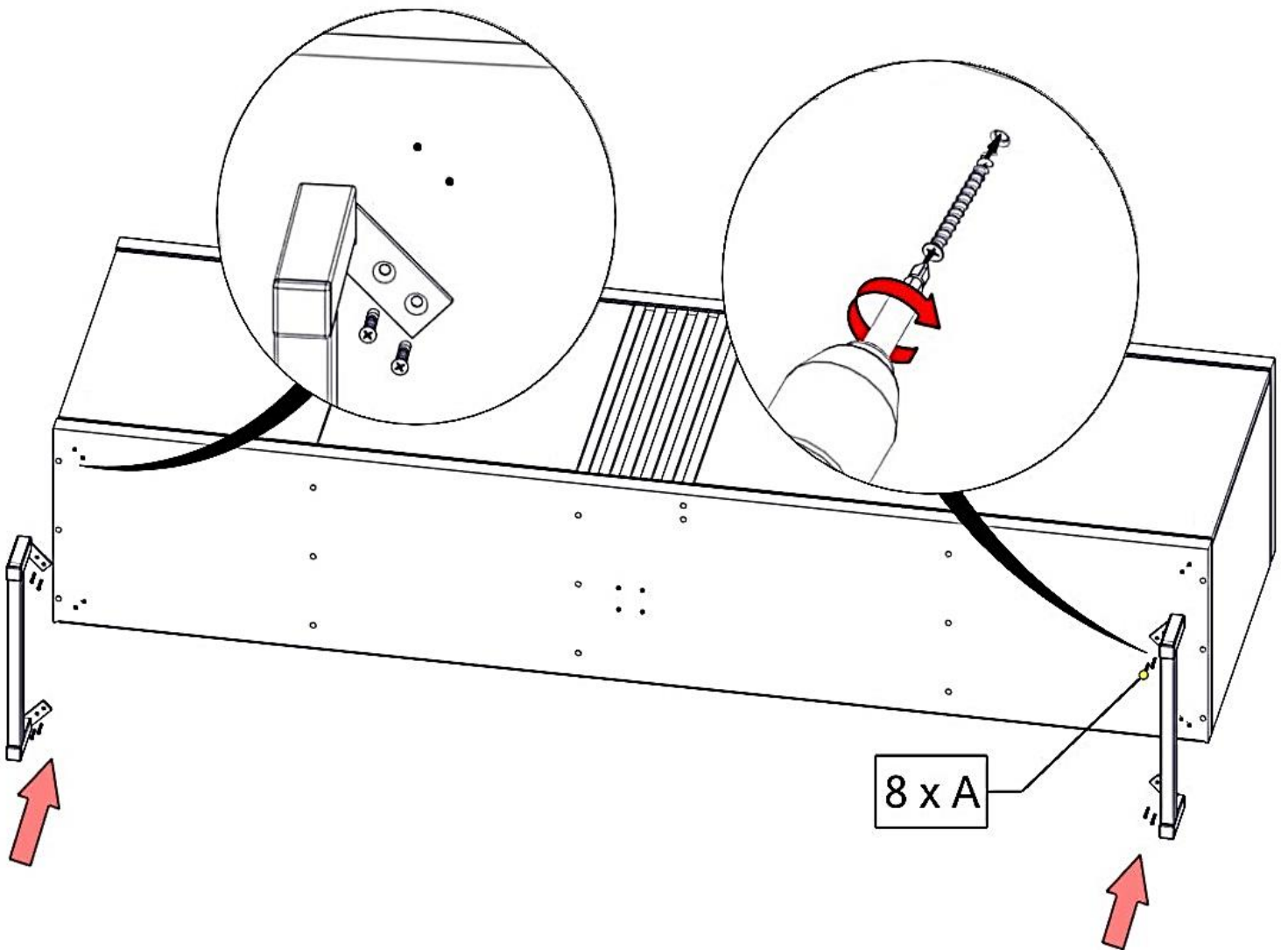
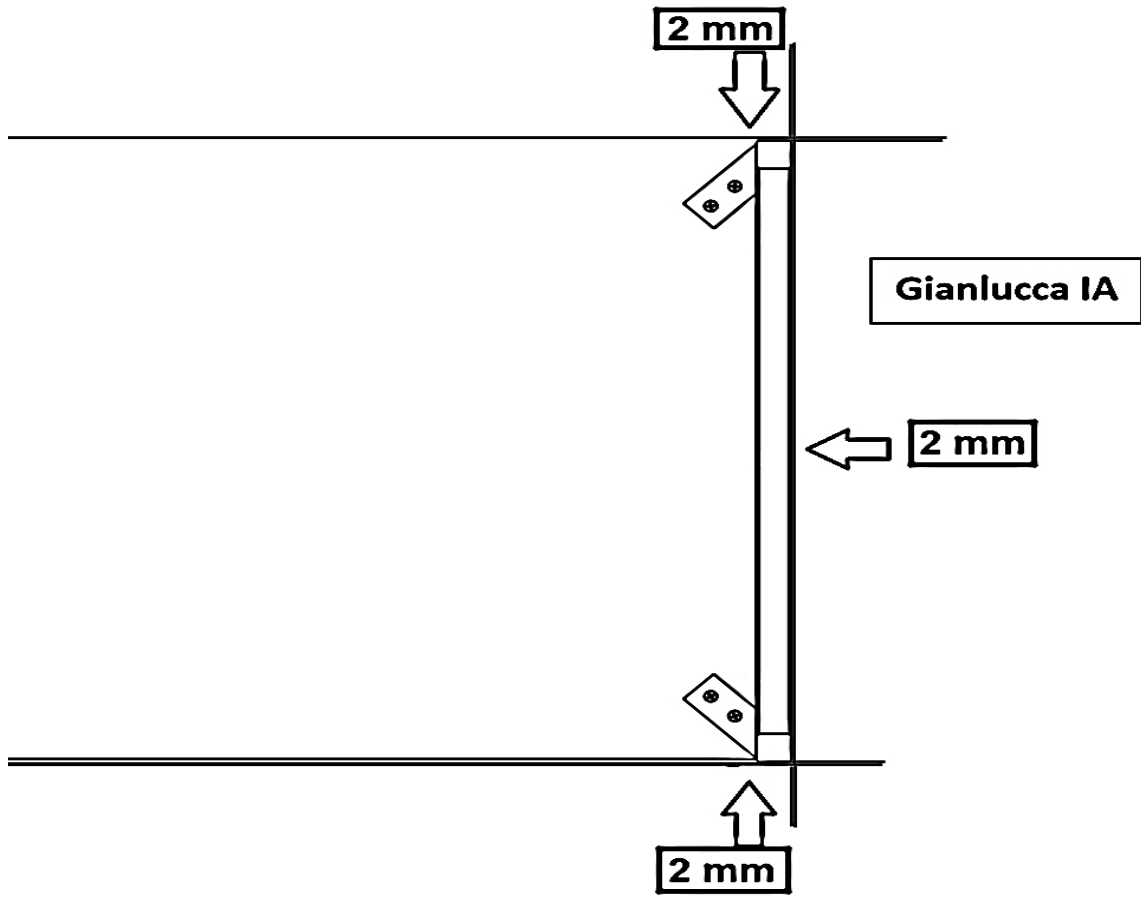


2.

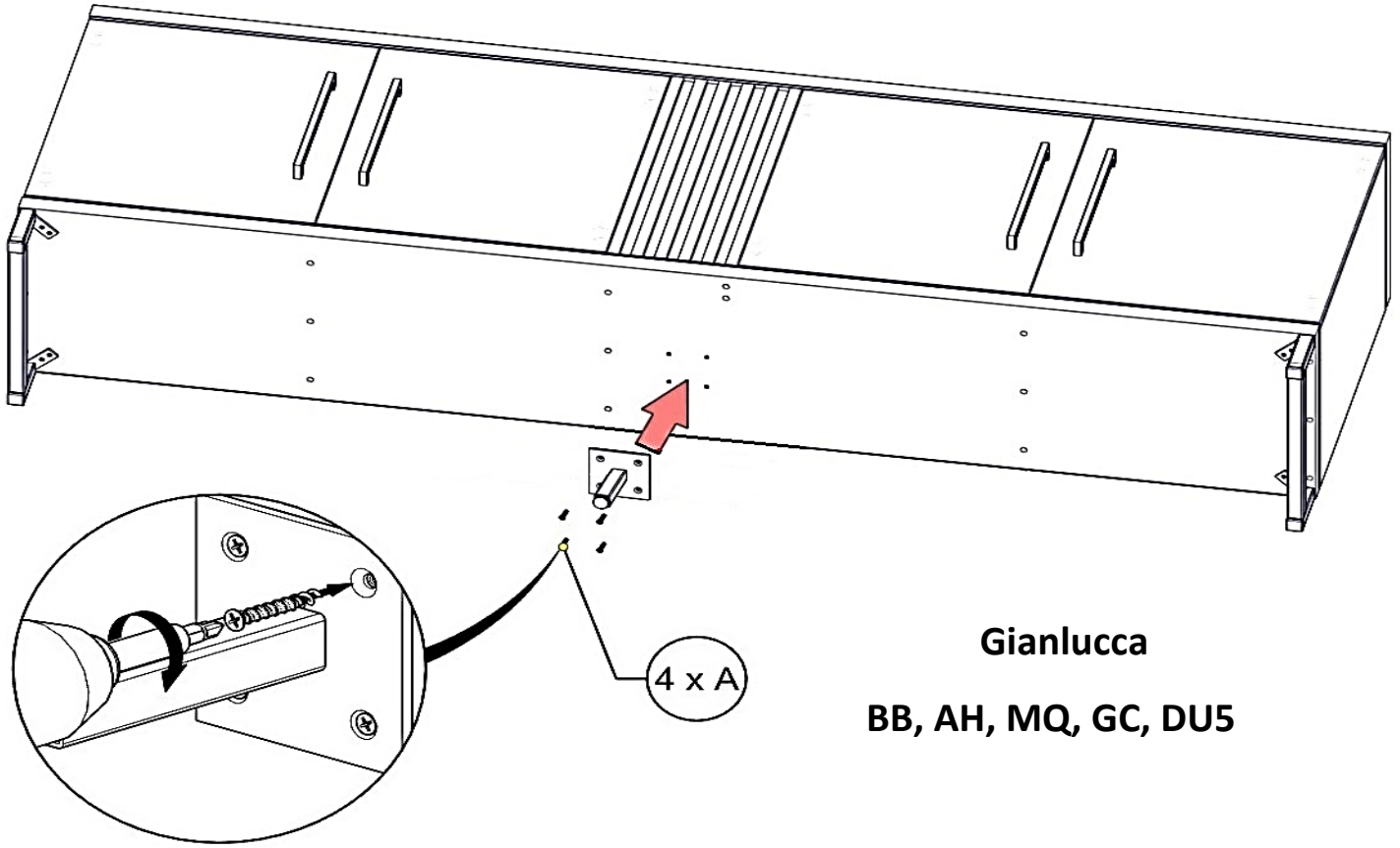


3.



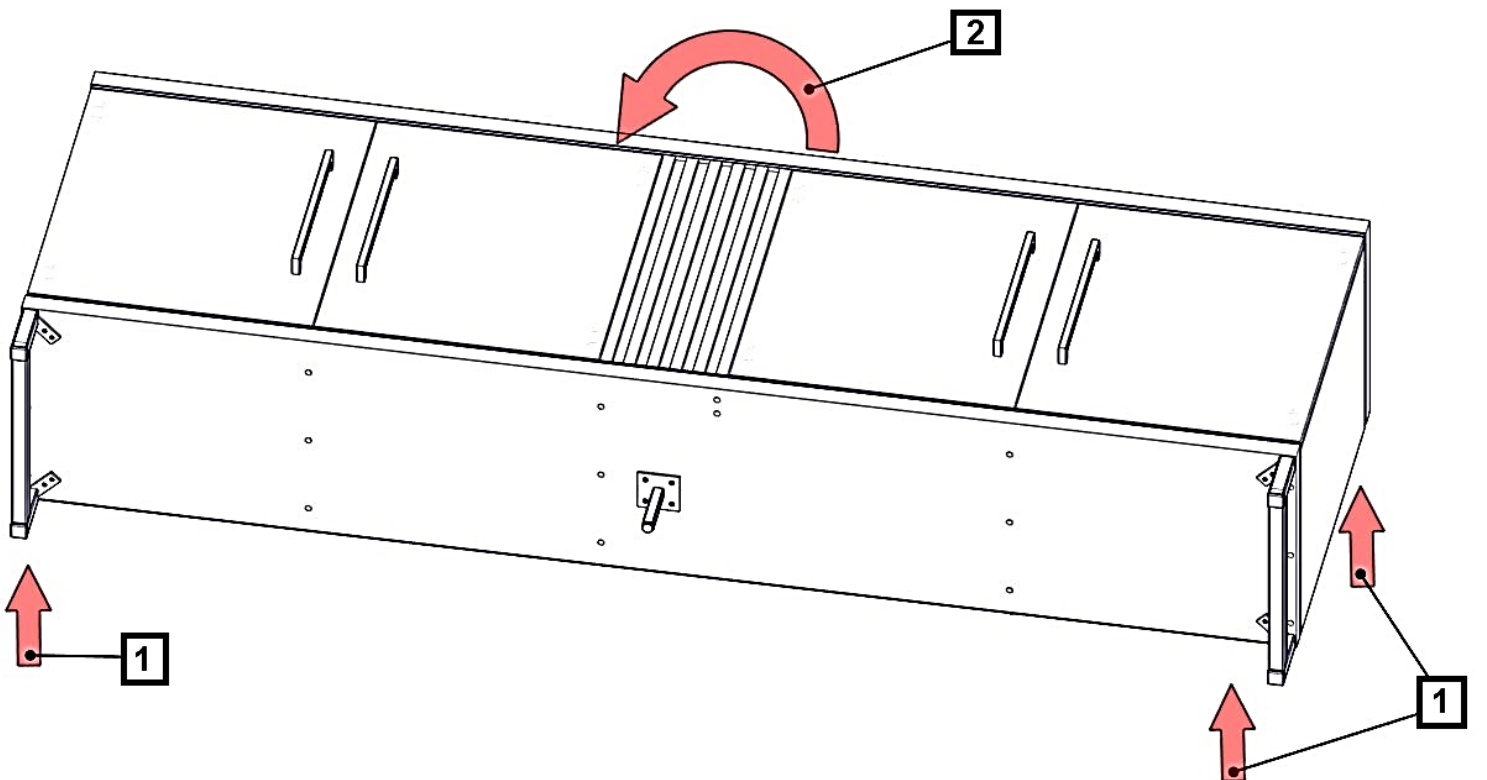
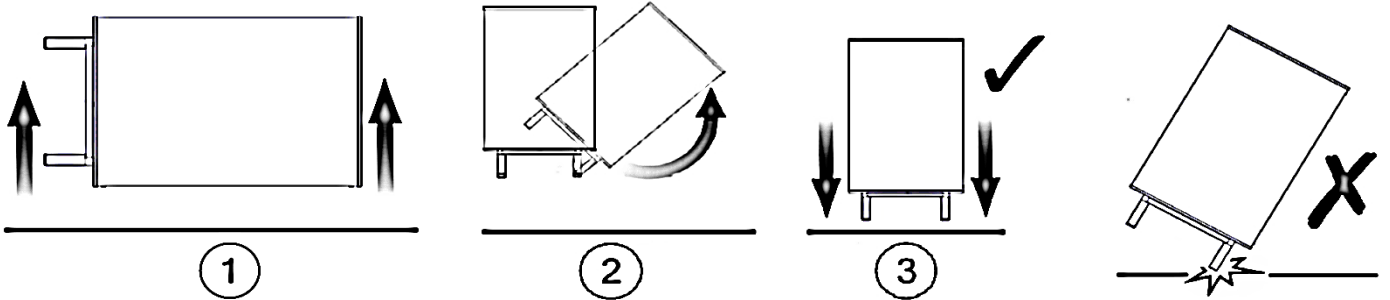


4.



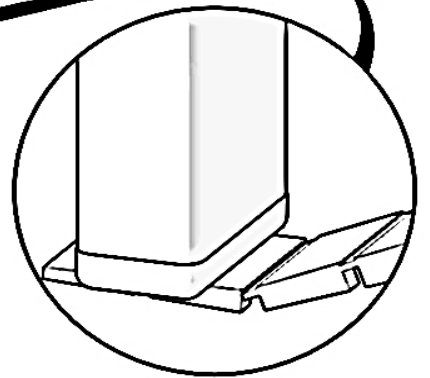
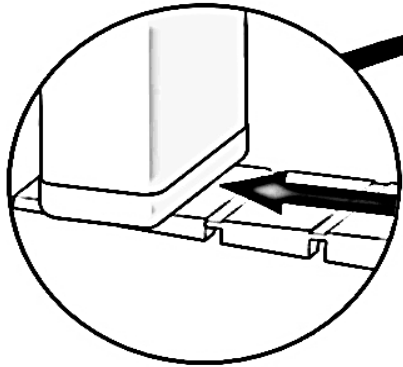
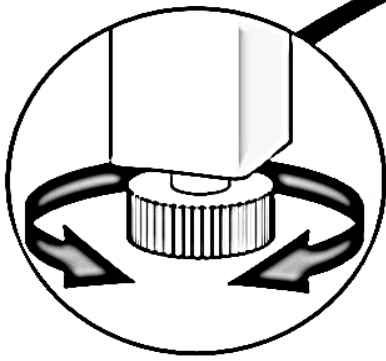
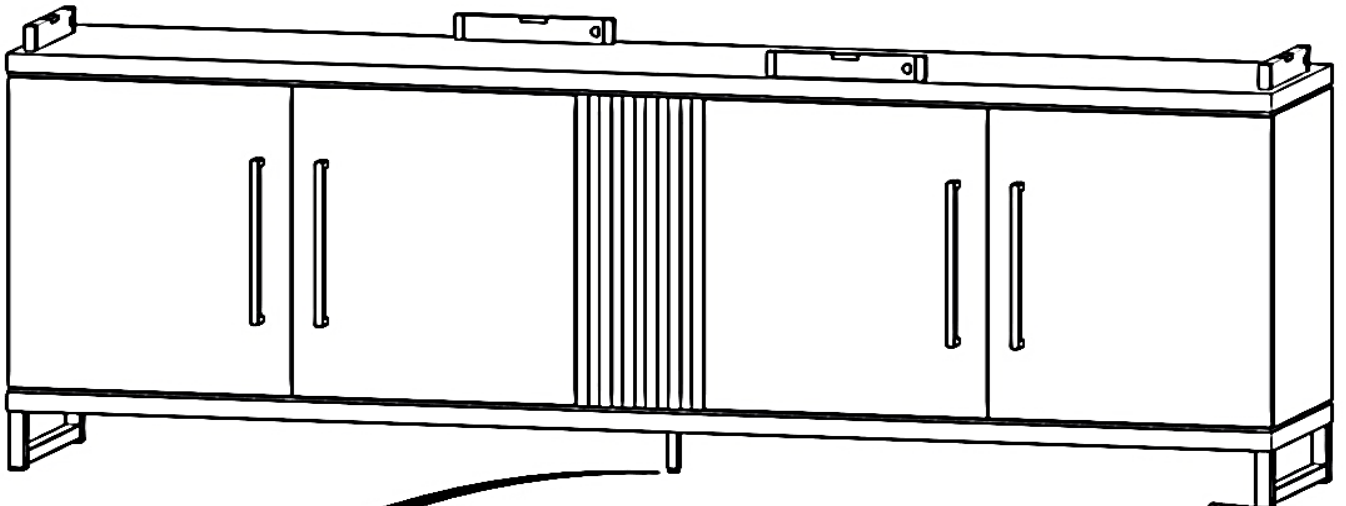
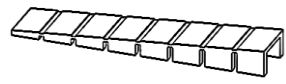
Gianluca
BB, AH, MQ, GC, DU5

5.



6.

2 x



7.

