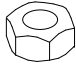

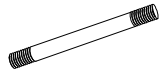
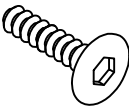
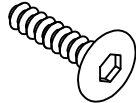
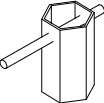




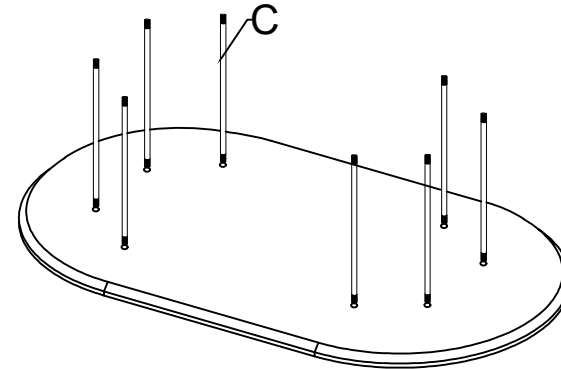
# ASSEMBLY INSTRUCTION 51823

1

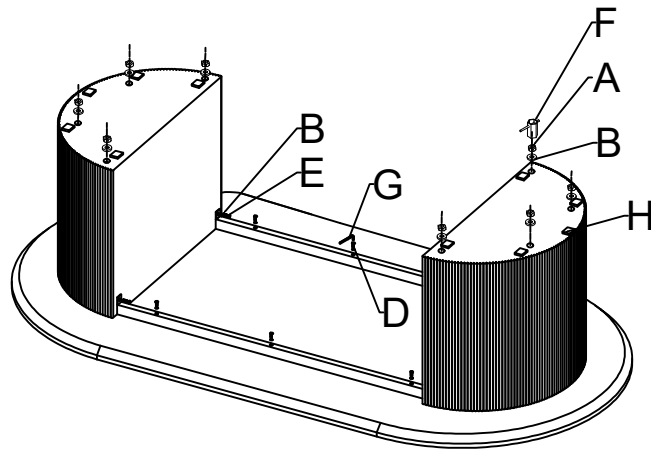
## LIST OF ACCESSORIES

A		B		C		D	
M8	x8	M8*18	x18	8x745mm	x8	M8*50	x6
E		F		G		H	
M8*50	x4		x1	5#	x1	40*40*2	x10

2



3



4

