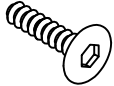





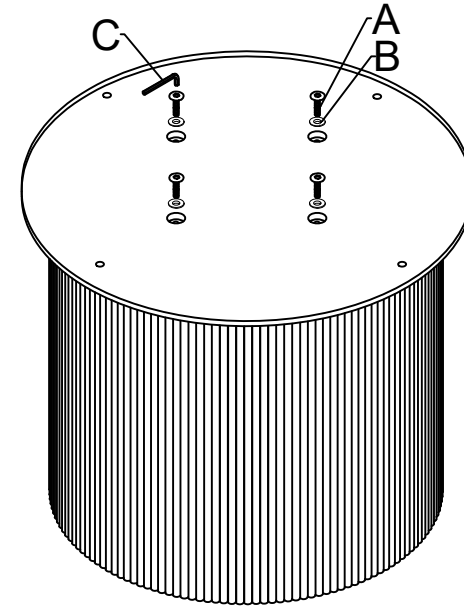
# ASSEMBLY INSTRUCTION 51835

1

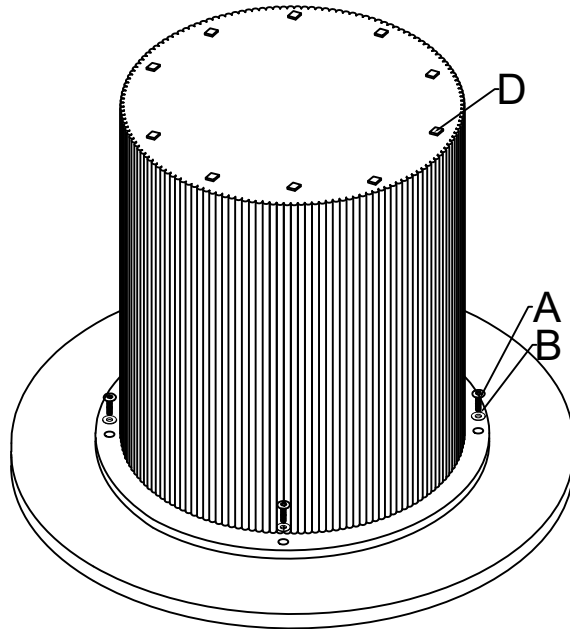
## LIST OF ACCESSORIES

A  8x35mm x8	B  M8*18 x8	C  5# x1	D  40*40*2 x10
---	--	---	--

2



3



4

