

ITEM CODE 51616

# ASSEMBLY INSTRUCTION

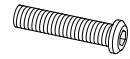
## Hardware



**Ax01**

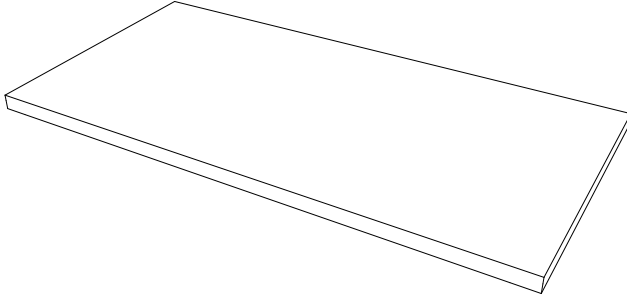


**Bx08**

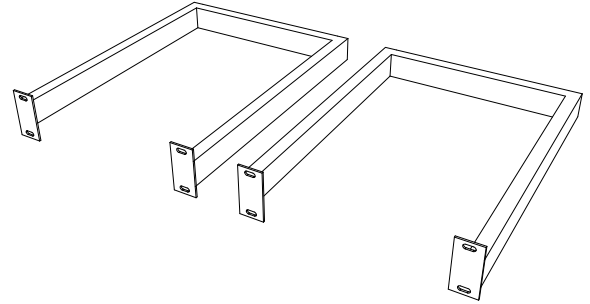


**Cx08**

## Component

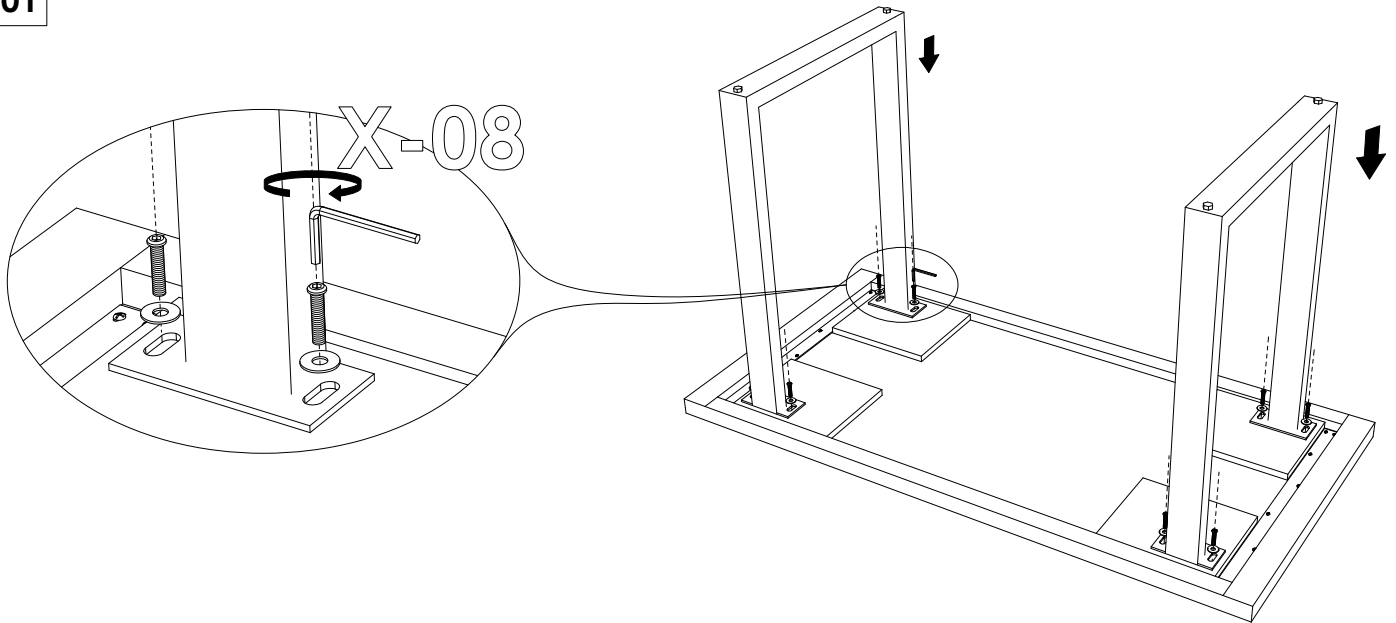


**Dx01**



**Ex02**

## STEP - 01



## Final - 02

