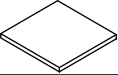
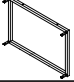









ASSEMBLY INSTRUCTION

Item NO: 7001

HARDWARE LIST			
NO.	PART	DESCRIPTION	Q'TY
A		Top Board	1
B		Frame	2
C		Transom	4
D		Base Frame	1
E		Long Screw	4
F		Short Screw	16
G		self threading pin	4
H		Feet	4
I		Allen Key	1

