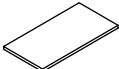
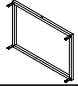








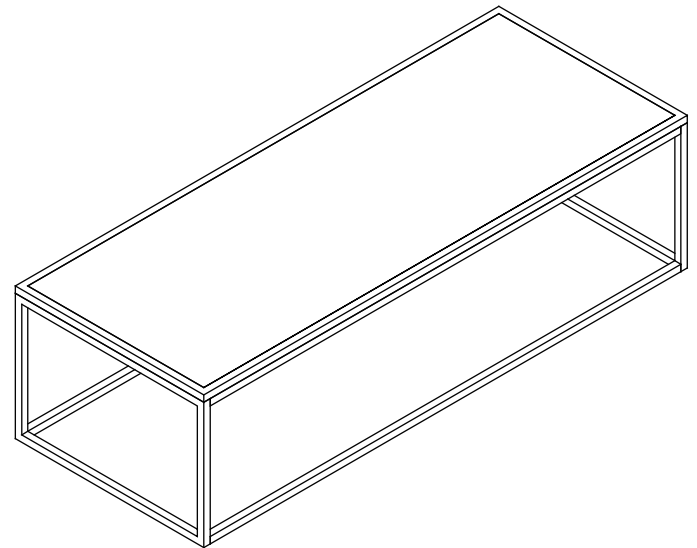


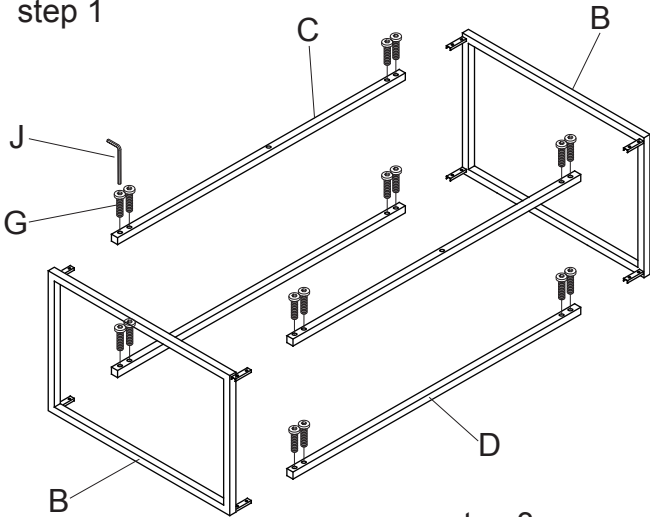
# ASSEMBLY INSTRUCTION

Item NO: 7004

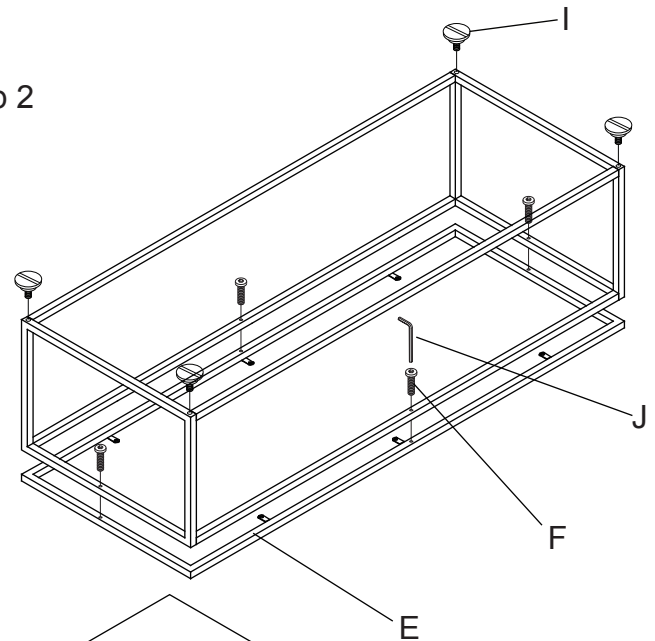
HARDWARE LIST			
NO.	PART	DESCRIPTION	Q'TY
A		Top Board	1
B		Frame	2
C		Upper Transom	2
D		Lower Transom	2
E		Base Frame	1
F		Long Screw	4
G		Short Screw	16
H		self threading pin	6
I		Feet	4
J		Allen Key	1



step 1



step 2



step 3

