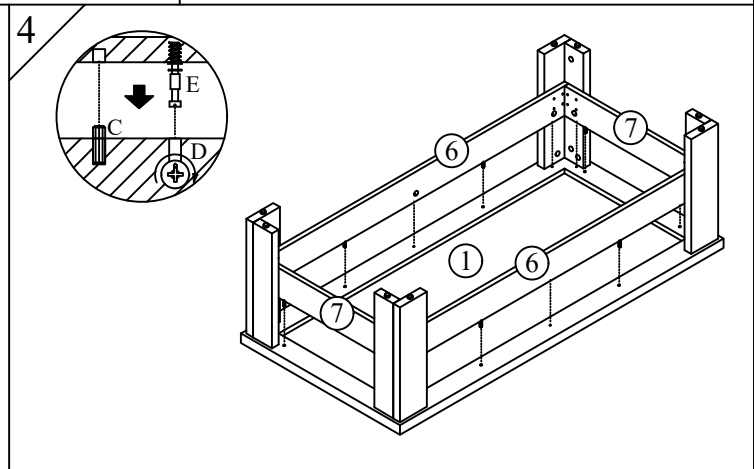
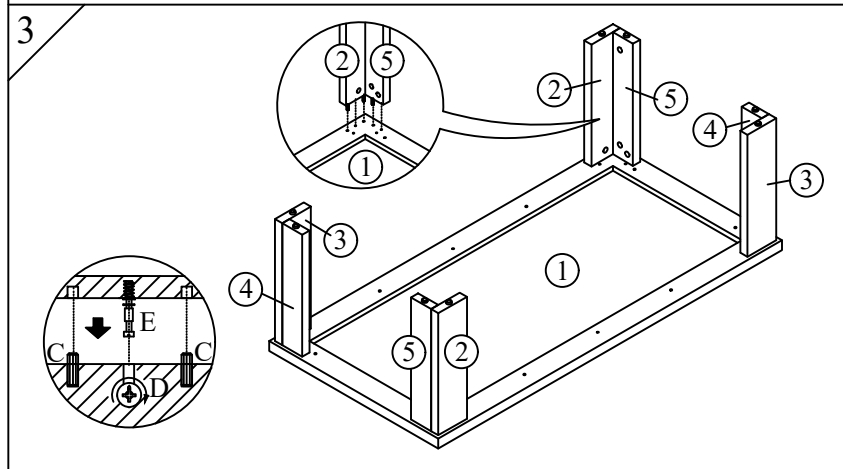
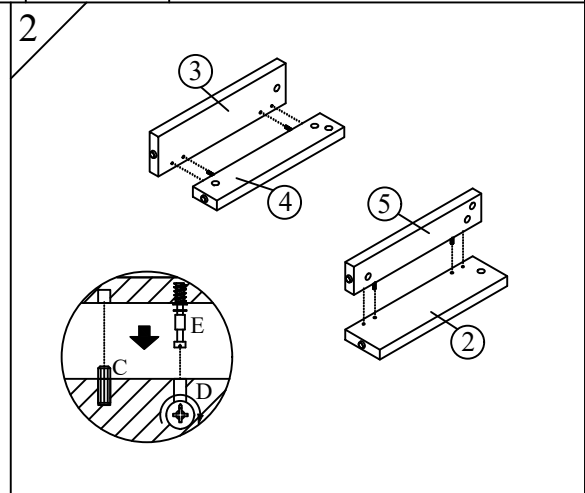
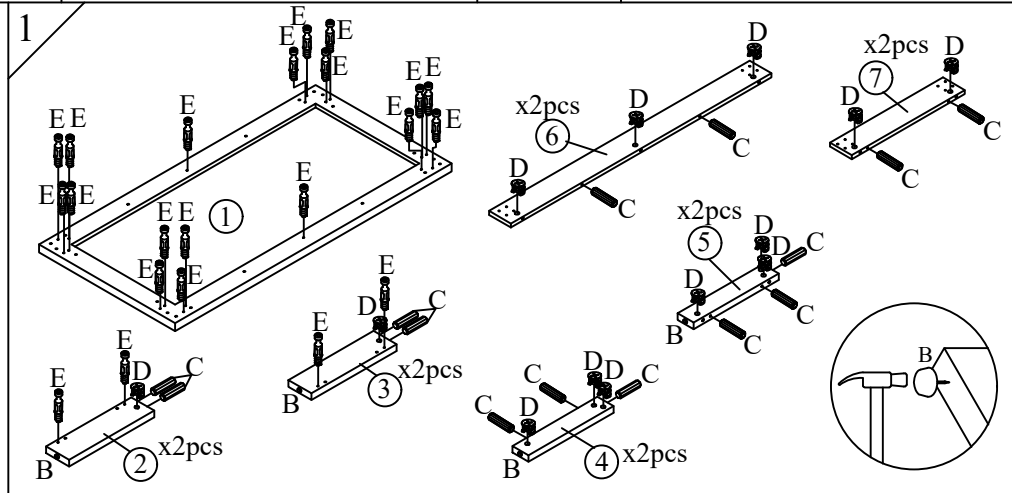
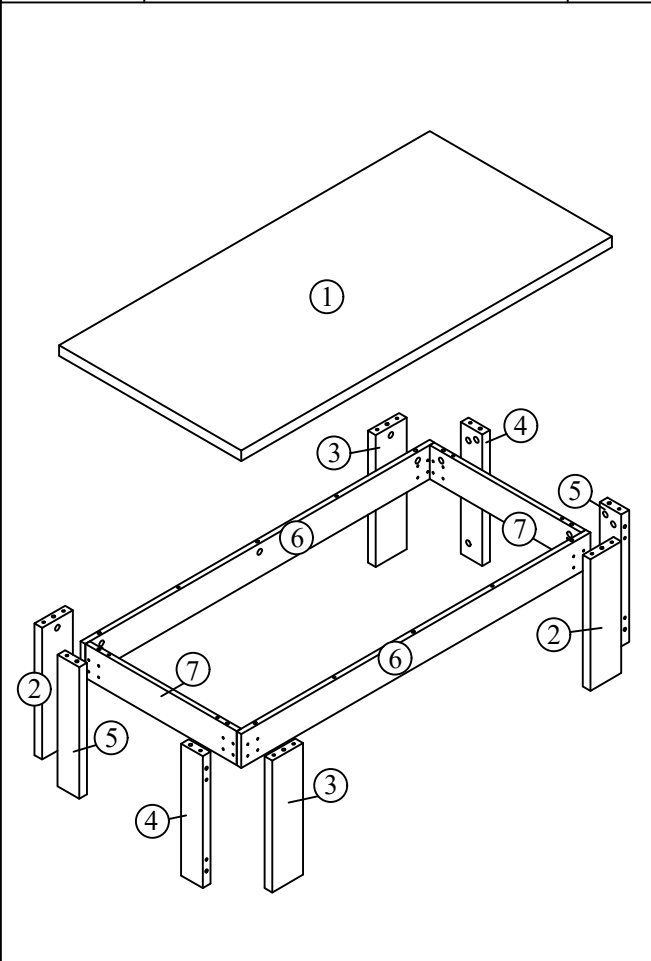


Model	DN CFT 132 104-IO	Issue Date	04 - 03 - 2022	Draw By	YN NG	Approved By / Date	
Form No	P13-RD-05-Rev01	Revision	CFT 1.0	Checked By	YN NG	Sheet	01 / 01
Description	Assembly Instructions						



A	CSK SCREW M4 x 30 mm	32
B	PVC NAIL 5/8"	8
C	WOOD DOWEL M6 x 25 mm	28
D	CAM NUT 15 mm	26
E	CAM BOLT	26
F	Ø15 HOLE PLUG	4

