

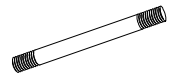
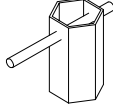
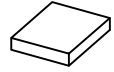


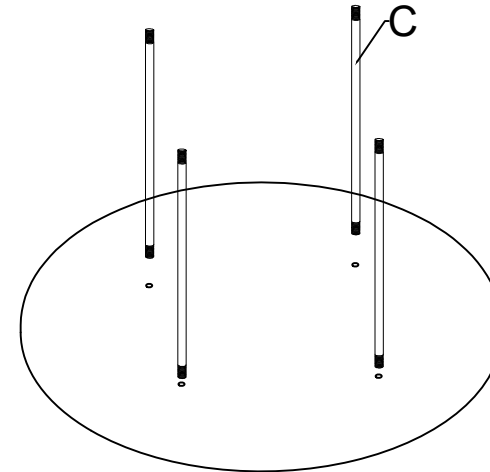
ASSEMBLY INSTRUCTION 3110

1

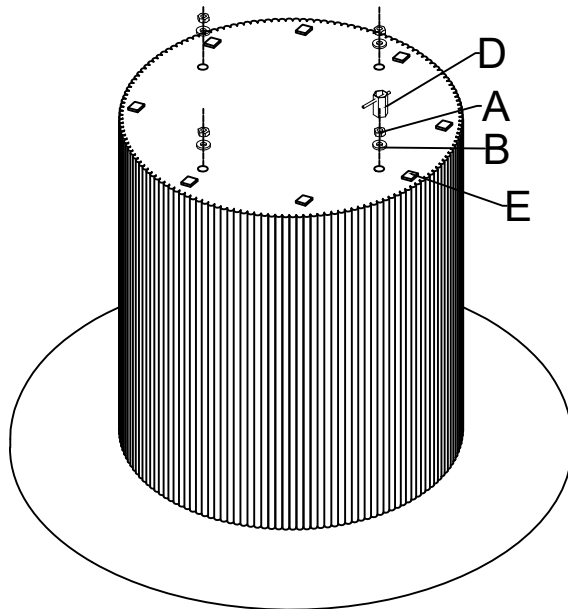
LIST OF ACCESSORIES

A  M8 x4	B  M8*18 x4	C  8x445mm x4	D  x1
E  40*40*2 x8			

2



3



4

